

RNA Reliance
North America

The Smarter Solution

UL c UL US CE RoHS CB RoHS ISO14001 OHSAS18001 SGS ISO9001:2008



2024 Catalog

**Printed Circuit Board
Terminal Blocks**



2024 PCB BLOCK CATALOG

Proven Connectivity Quality: Over 70-year's supplying major global brands with private labeled product. RNA products will conform to CE, CSA, UL certifications and many other Certs as need by customers. Our facilities are ISO9001/ISO14001 certified; follows OHSAS18001/RoHS.

Broad Standard Product Offering: Large selection of, PCB, DIN Rail Mount, and Barrier Terminal Blocks that will cross to many of the major brands.

Value Strategy: Our customers enjoy RNA's High-Quality products, Super Competitive pricing, Quick delivery, US based Sales technical support and National and Regional Distribution.

Custom Solutions: RNA has unsurpassed in-house capabilities for product engineering with in-house testing lab, 110+ engineers, 90+ molding staff to provides customers with quick turn around on custom product designs or, standard product modifications.

Deep Technical Expertise: RNA has extensive experience and knowledge with Terminal Block Technologies and provides the needed engineering and sales support for our sales reps, distributors, and customers.

RNA strives to provides our customers with **QUALITY PRODUCTS, BETTER PRICING, BETTER DELIVERY, and BETTER SUPPORT** than all our competitors.

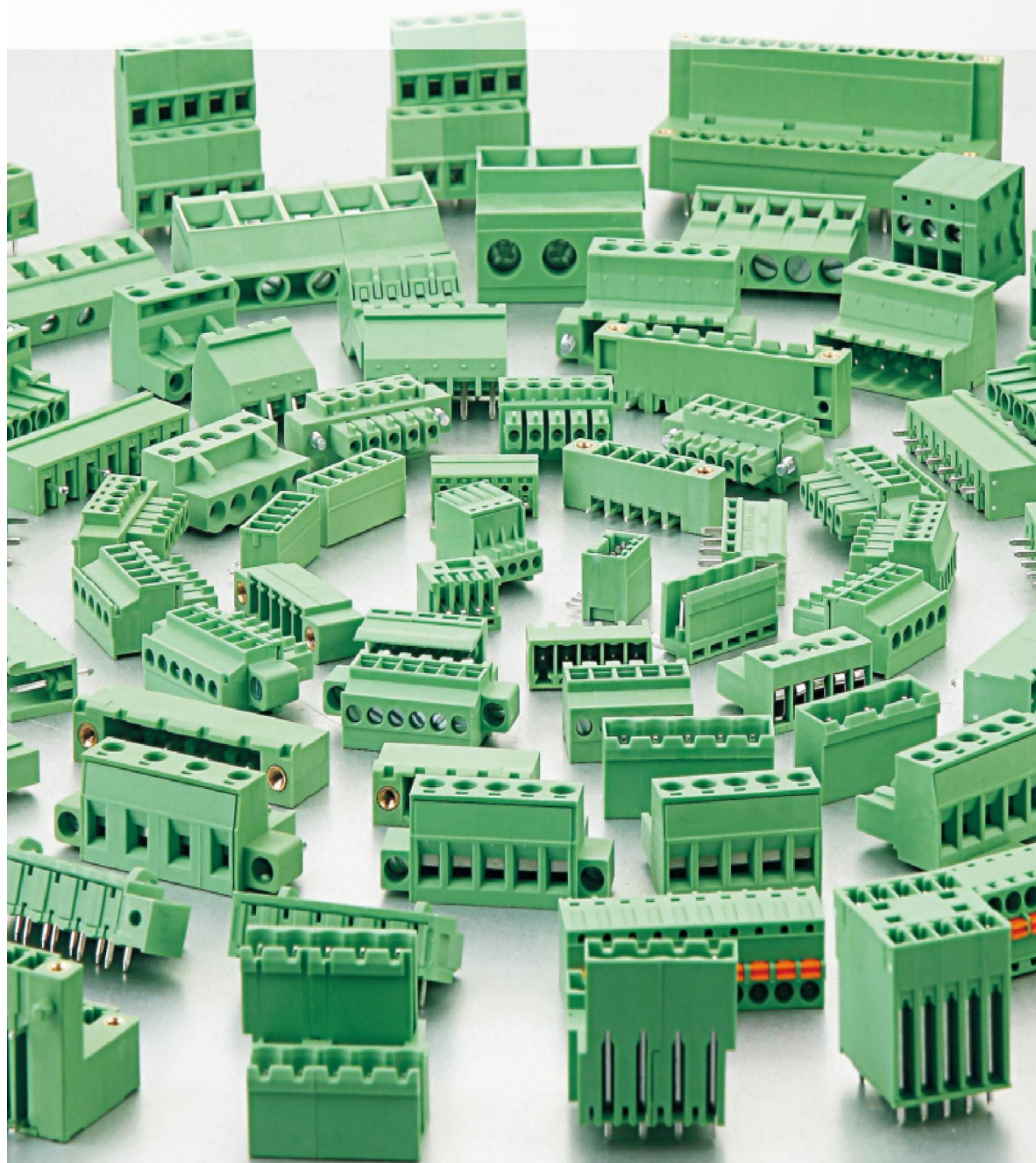
Full line catalogue links available online at: www.reliancenorthamerica.com

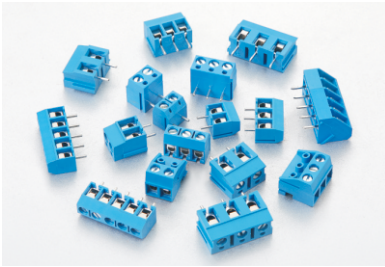
www.RelianceNorthAmerica.com

Terminal Block Professional Manufacturer



PRODUCT CONTENTS





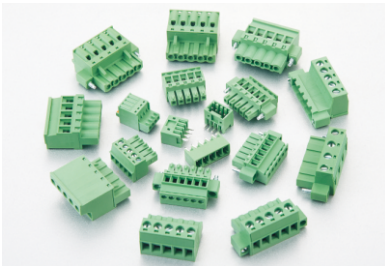
PCB SCREW TERMINAL BLOCK

HOW TO ORDER:



Model	Pitch	Pole	Color							
			0	No definition	10	Grey	40	Green	70	Transp.
			1	Single pitch	20	Blue	50	Orange	80	Yellow
			2	Double pitch	30	Black	60	Red	90	White

P013-034



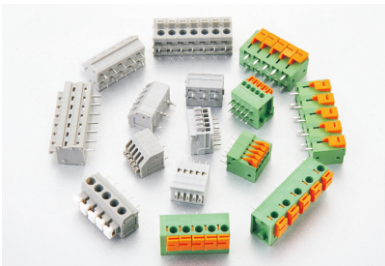
PLUG-IN TERMINAL BLOCK

HOW TO ORDER:



Model	Pitch	Pole	Color							
			0	No definition	10	Grey	40	Green	70	Transp.
			1	Single pitch	20	Blue	50	Orange	80	Yellow
			2	Double pitch	30	Black	60	Red	90	White

P035-086



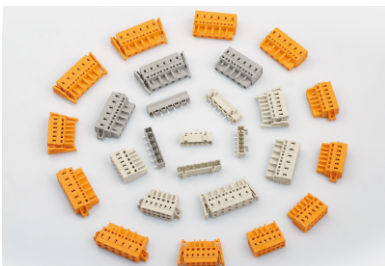
PCB SPRING TERMINAL BLOCK

HOW TO ORDER:



Model	Pitch	Pole	Color							
			0	No definition	10	Grey	40	Green	70	Transp.
			1	Single pitch	20	Blue	50	Orange	80	Yellow
			2	Double pitch	30	Black	60	Red	90	White

P087-092



MCS TERMINAL BLOCK

HOW TO ORDER:



Model	Pole	Color							
		0	No definition	10	Grey	40	Green	70	Transp.
		1	Single pitch	20	Blue	50	Orange	80	Yellow
		2	Double pitch	30	Black	60	Red	90	White

P093-112



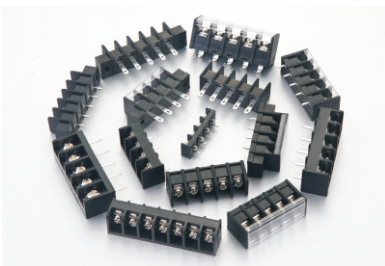
FEED THROUGH TERMINAL BLOCK

HOW TO ORDER:



Model	Pitch	Pole	Color							
			0	No definition	10	Grey	40	Green	70	Transp.
			1	Single pitch	20	Blue	50	Orange	80	Yellow
			2	Double pitch	30	Black	60	Red	90	White

P113-117



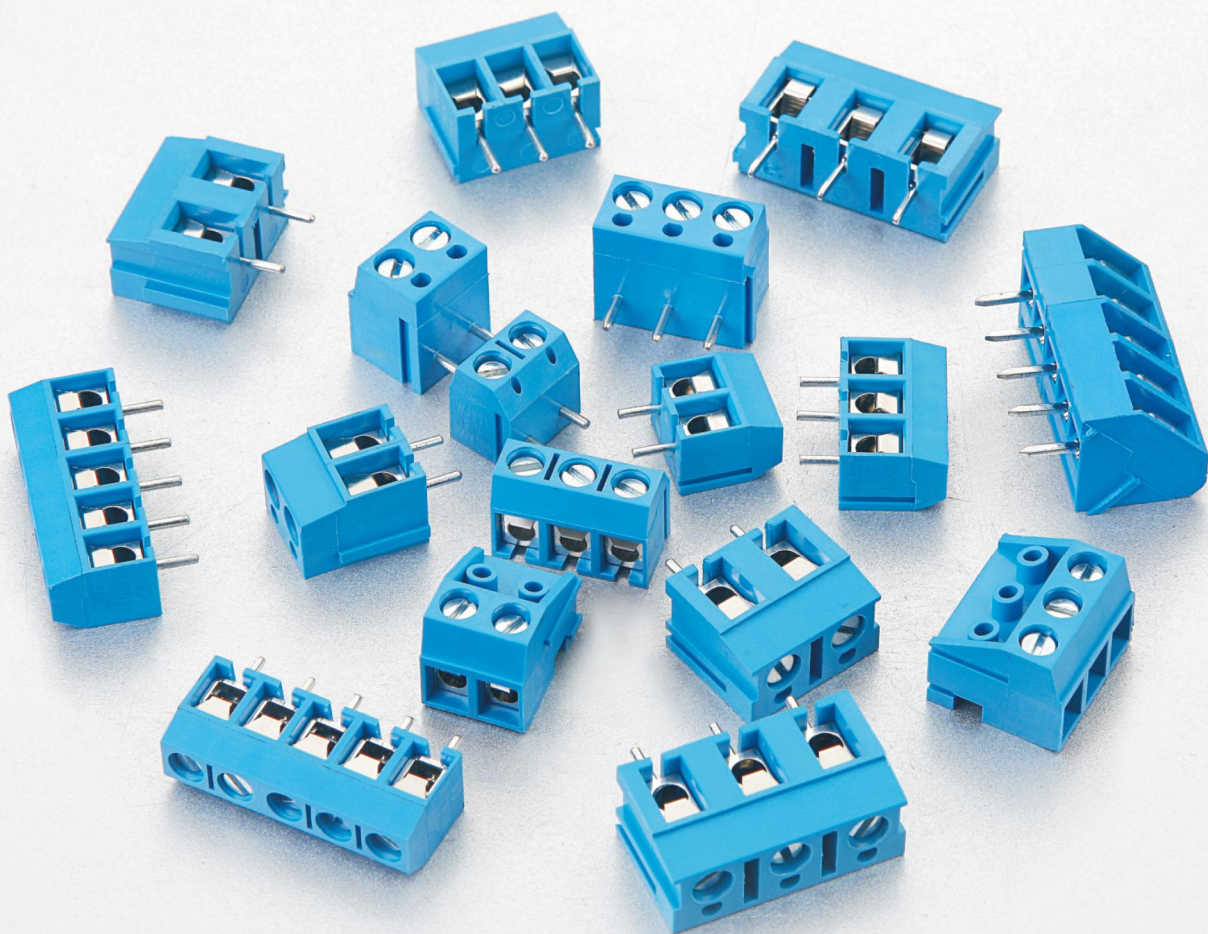
BARRIER TERMINAL BLOCK

HOW TO ORDER:



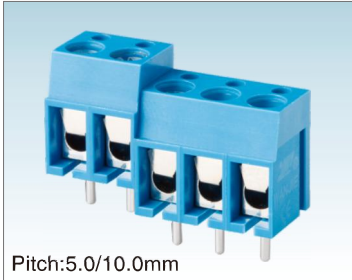
Model	Pole	Color							
		0	No definition	10	Grey	40	Green	70	Transp.
		1	Single pitch	20	Blue	50	Orange	80	Yellow
		2	Double pitch	30	Black	60	Red	90	White

P118-158



PCB SCREW TERMINAL BLOCK

PCB universal screw terminal blocks, this typical feature of the screw connection system is characterized by the easy connection and extremely high contact strengths. Provide the wire size from 0.08mm^2 to 10mm^2 . Available with different pitches from 2.54mm to 15.0mm. The product is designed in accordance with IEC 60998, UL1059, CSA C22.2 NO.158 standards.



Pitch:5.0/10.0mm

MODEL: WJ300

CERTIFICATION	
---------------	--



Pitch:5.0/10.0mm

MODEL: WJ300R

CERTIFICATION	
---------------	--



Pitch:5.0/10.0mm

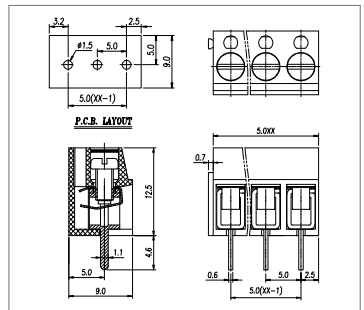
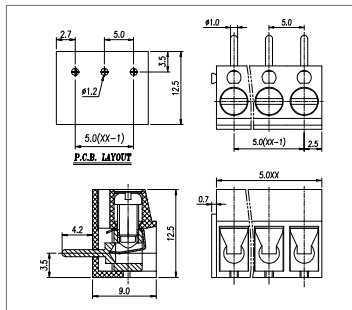
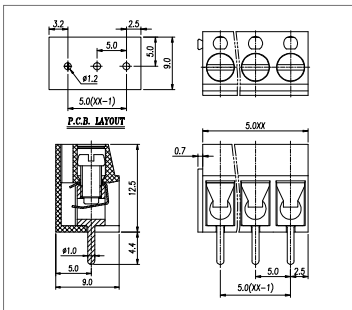
MODEL: WJ305

CERTIFICATION	
---------------	--

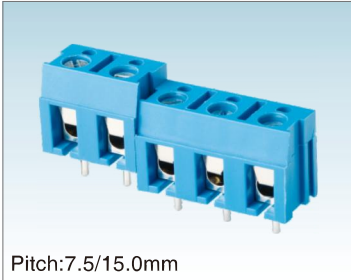
MATERIAL	
Screws	M3.0 Steel Zn plated
Shrapnel	Phosphor bronze, Ni plated
Pin header	Brass, Sn plated
Housing	PA66, UL94V-0
ELECTRICAL	
Standard	UL IEC
Rated voltage	250V 250V
Rated current	16A 17.5A
Wire range	22-14AWG 1.5mm ²
Contact resistance	20mΩ
Insulation resistance	500MΩ/DC500V
Withstanding voltage	AC2000V/1Min
MECHANICAL	
Temp. range	-40°C~+105°C
Max. soldering	+250°C for 5 Sec
Torque	5.10kgf-cm/0.5Nm/4.43Lbin
Strip length	4.5-5mm

MATERIAL	
Screws	M3.0 Steel Zn plated
Shrapnel	Phosphor bronze, Ni plated
Pin header	Brass, Sn plated
Housing	PA66, UL94V-0
ELECTRICAL	
Standard	UL IEC
Rated voltage	250V 250V
Rated current	16A 17.5A
Wire range	22-14AWG 1.5mm ²
Contact resistance	20mΩ
Insulation resistance	500MΩ/DC500V
Withstanding voltage	AC2000V/1Min
MECHANICAL	
Temp. range	-40°C~+105°C
Max. soldering	+250°C for 5 Sec
Torque	5.10kgf-cm/0.5Nm/4.43Lbin
Strip length	4.5-5mm

MATERIAL	
Screws	M2.5 Steel Zn plated
Shrapnel	Phosphor bronze, Ni plated
Pin header	Brass, Sn plated
Housing	PA66, UL94V-0
ELECTRICAL	
Standard	UL IEC
Rated voltage	250V 250V
Rated current	16A 17.5A
Wire range	22-14AWG 2.5mm ²
Contact resistance	20mΩ
Insulation resistance	500MΩ/DC500V
Withstanding voltage	AC2000V/1Min
MECHANICAL	
Temp. range	-40°C~+105°C
Max. soldering	+250°C for 5 Sec
Torque	4.08kgf-cm/0.4Nm/3.6Lbin
Strip length	4.5-5mm

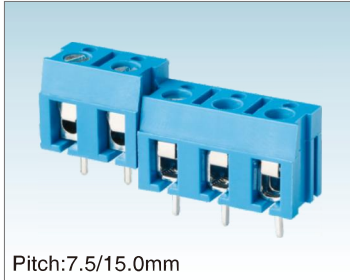


PCB SCREW TERMINAL BLOCK



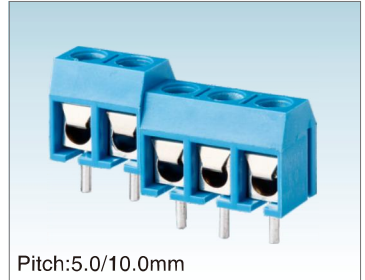
Pitch:7.5/15.0mm

MODEL: WJ370



Pitch:7.5/15.0mm

MODEL: WJ375




Pitch:5.0/10.0mm

MODEL: WJ301

CERTIFICATION

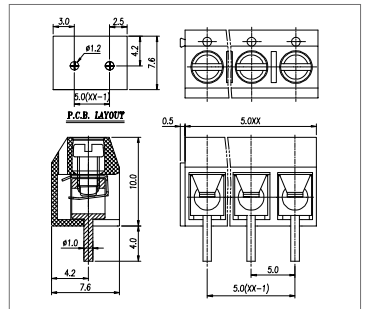
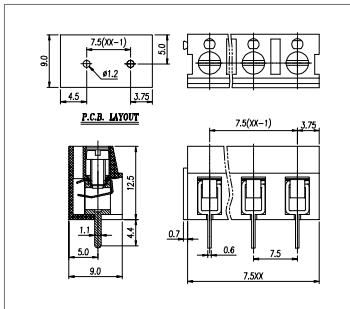
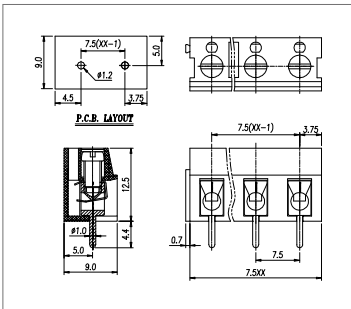
CERTIFICATION

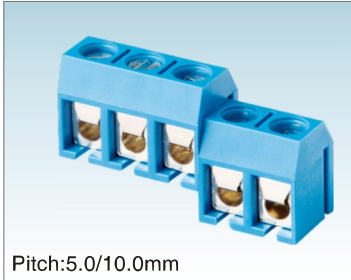
CERTIFICATION 

MATERIAL		
Screws	M3.0 Steel Zn plated	
Shrapnel	Phosphor bronze, Ni plated	
Pin header	Brass, Sn plated	
Housing	PA66, UL94V-0	
ELECTRICAL		
Standard	UL	IEC
Rated voltage	250V	450V
Rated current	16A	24A
Wire range	22-14AWG	2.5mm ²
Contact resistance	20mΩ	
Insulation resistance	500MΩ/DC500V	
Withstanding voltage	AC2000V/1Min	
MECHANICAL		
Temp. range	-40°C--+105°C	
Max. soldering	+250°C for 5 Sec	
Torque	5.10kgf-cm/0.5Nm/4.43Lbin	
Strip length	4.5-5mm	

MATERIAL		
Screws	M3.0 Steel Zn plated	
Shrapnel	Phosphor bronze, Ni plated	
Pin header	Brass, Sn plated	
Housing	PA66, UL94V-0	
ELECTRICAL		
Standard	UL	IEC
Rated voltage	250V	450V
Rated current	16A	24A
Wire range	22-14AWG	2.5mm ²
Contact resistance	20mΩ	
Insulation resistance	500MΩ/DC500V	
Withstanding voltage	AC2000V/1Min	
MECHANICAL		
Temp. range	-40°C--+105°C	
Max. soldering	+250°C for 5 Sec	
Torque	5.10kgf-cm/0.5Nm/4.43Lbin	
Strip length	4.5-5mm	

MATERIAL		
Screws	M2.5 Steel Zn plated	
Shrapnel	Phosphor bronze, Ni plated	
Pin header	Brass, Sn plated	
Housing	PA66, UL94V-0	
ELECTRICAL		
Standard	UL	IEC
Rated voltage	250V	250V
Rated current	16A	17.5A
Wire range	22-14AWG	2.5mm ²
Contact resistance	20mΩ	
Insulation resistance	500MΩ/DC500V	
Withstanding voltage	AC2000V/1Min	
MECHANICAL		
Temp. range	-40°C--+105°C	
Max. soldering	+250°C 5 Sec	
Torque	4.08kgf-cm/0.4Nm/3.54Lbin	
Strip length	4.5-5mm	

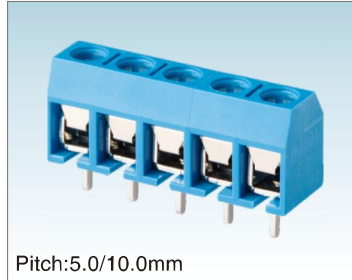




Pitch:5.0/10.0mm

MODEL: WJ301R

CERTIFICATION	
---------------	--



Pitch:5.0/10.0mm

MODEL: WJ306

CERTIFICATION	
---------------	--



Pitch:5.0/10.0mm

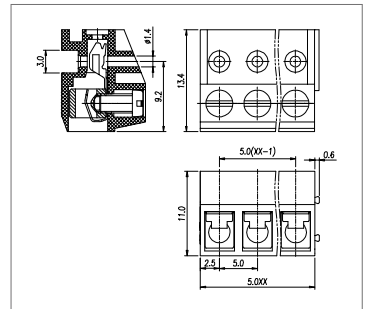
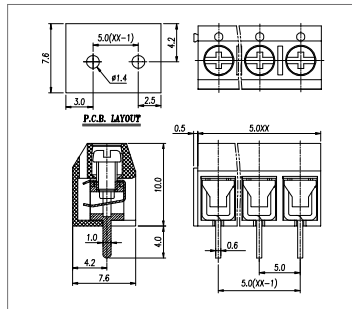
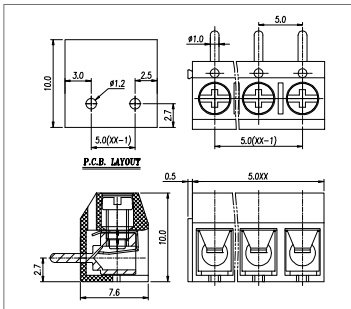
MODEL: WJ332K

CERTIFICATION	
---------------	--

MATERIAL		
Screws	M2.5 Steel Zn plated	
Shrapnel	Phosphor bronze, Ni plated	
Pin header	Brass, Sn plated	
Housing	PA66, UL94V-0	
ELECTRICAL		
Standard	UL	IEC
Rated voltage	250V	250V
Rated current	16A	17.5A
Wire range	22-14AWG	1.5mm ²
Contact resistance	20mΩ	
Insulation resistance	500MΩ/DC500V	
Withstanding voltage	AC2000V/1Min	
MECHANICAL		
Temp. range	-40°C--+105°C	
Max. soldering	+250°C 5 Sec	
Torque	4.08kgf-cm/0.4Nm/3.54Lbin	
Strip length	4.5-5mm	

MATERIAL		
Screws	M2.5 Steel Zn plated	
Shrapnel	Phosphor bronze, Ni plated	
Pin header	Brass, Sn plated	
Housing	PA66, UL94V-0	
ELECTRICAL		
Standard	UL	IEC
Rated voltage	250V	250V
Rated current	16A	17.5A
Wire range	22-14AWG	1.5mm ²
Contact resistance	20mΩ	
Insulation resistance	500MΩ/DC500V	
Withstanding voltage	AC2000V/1Min	
MECHANICAL		
Temp. range	-40°C--+105°C	
Max. soldering	+250°C 5 Sec	
Torque	4.08kgf-cm/0.4Nm/3.54Lbin	
Strip length	4.5-5mm	

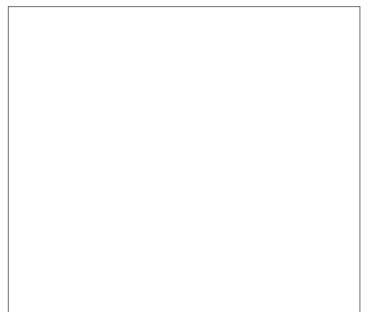
MATERIAL		
Screws	M2.5 Steel Zn plated	
Shrapnel	Phosphor bronze, Ni plated	
Pin header	Brass, Sn plated	
Housing	PA66, UL94V-0	
ELECTRICAL		
Standard	UL	IEC
Rated voltage	300V	250V
Rated current	10A	17.5A
Wire range	28-16AWG	1.5mm ²
Contact resistance	20mΩ	
Insulation resistance	500MΩ/DC500V	
Withstanding voltage	AC2000V/1Min	
MECHANICAL		
Temp. range	-40°C--+105°C	
Max. soldering	+250°C 5 Sec	
Torque	4.08kgf-cm/0.4Nm/3.54Lbin	
Strip length	4.5-5mm	

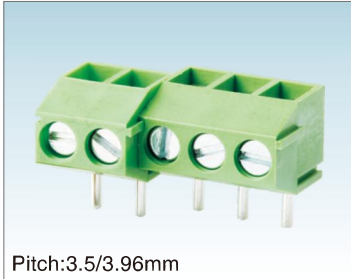


PCB SCREW TERMINAL BLOCK



IEC
250V
10A
1.0mm ²
-40°C~+105°C
+250°C for 5 Sec
2.04kgf-cm/0.2Nm/1.77Lbin
4.5-5mm





Pitch:3.5/3.96mm

MODEL: WJ350R,WJ396R

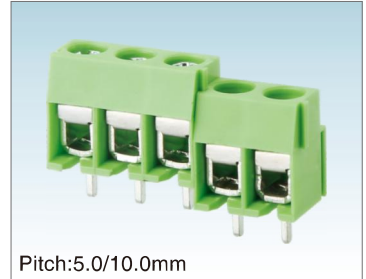
CERTIFICATION	
---------------	--



Pitch:3.5mm

MODEL: WJ350C

CERTIFICATION	
---------------	--



Pitch:5.0/10.0mm

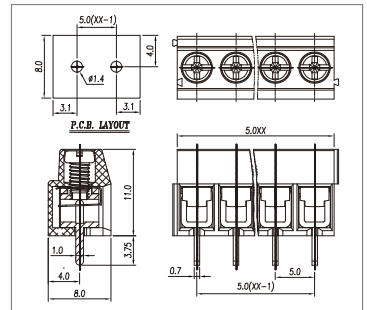
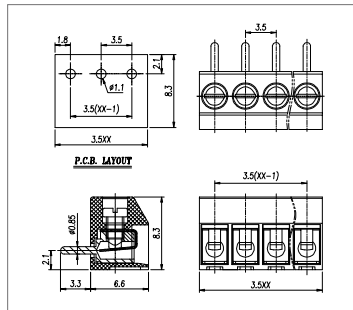
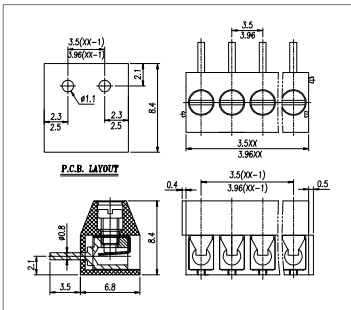
MODEL: WJ126

CERTIFICATION	
---------------	--

MATERIAL		
Screws	M2.0 Steel Zn plated	
Shrapnel	Phosphor bronze, Ni plated	
Pin header	Brass, Sn plated	
Housing	PA66, UL94V-0	
ELECTRICAL		
Standard	UL	IEC
Rated voltage	300V	250V
Rated current	10A	10A
Wire range	24-18AWG	1.0mm ²
Contact resistance	20mΩ	
Insulation resistance	500MΩ/DC500V	
Withstanding voltage	AC2000V/1Min	
MECHANICAL		
Temp. range	-40°C~+105°C	
Max. soldering	+250°C for 5 Sec	
Torque	2.04kgf-cm/0.2Nm/1.77Lbin	
Strip length	4.5-5mm	

MATERIAL		
Screws	M2.5 Steel Zn plated	
Shrapnel	Phosphor bronze, Ni plated	
Pin header	Brass, Sn plated	
Housing	PA66, UL94V-0	
ELECTRICAL		
Standard	UL	IEC
Rated voltage	300V	130V
Rated current	10A	10A
Wire range	24-18AWG	1.0mm ²
Contact resistance	20mΩ	
Insulation resistance	500MΩ/DC500V	
Withstanding voltage	AC2000V/1Min	
MECHANICAL		
Temp. range	-40°C~+105°C	
Max. soldering	+250°C 5 Sec	
Torque	2.04kgf-cm/0.2Nm/1.77Lbin	
Strip length	4.5-5mm	

MATERIAL		
Screws	M2.5 Steel Zn plated	
Shrapnel	Stainless steel	
Pin header	Brass, Sn plated	
Housing	PA66, UL94V-0	
ELECTRICAL		
Standard	UL	IEC
Rated voltage	300V	250V
Rated current	8A	19A
Wire range	26-14AWG	2.5mm ²
Contact resistance	20mΩ	
Insulation resistance	500MΩ/DC500V	
Withstanding voltage	AC2000V/1Min	
MECHANICAL		
Temp. range	-40°C~+105°C	
Max. soldering	+250°C 5 Sec	
Torque	4.08kgf-cm/0.4Nm/3.54Lbin	
Strip length	6-7mm	

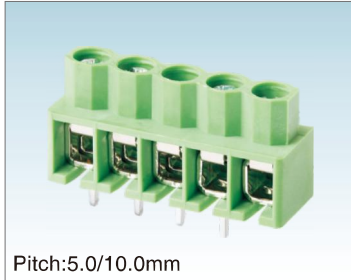




Pitch:5.0/10.0mm

MODEL: WJ126R

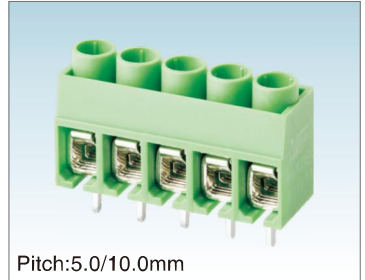
CERTIFICATION	
---------------	--



Pitch:5.0/10.0mm

MODEL: WJ166

CERTIFICATION	
---------------	--



Pitch:5.0/10.0mm

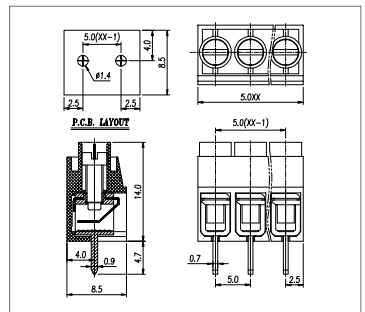
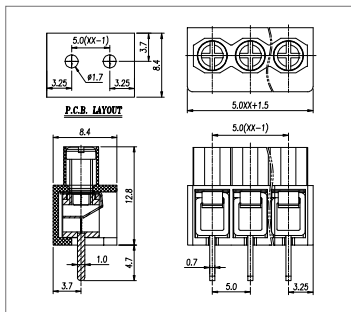
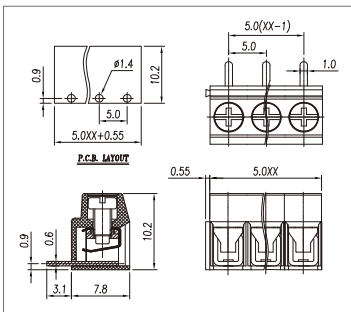
MODEL: WJ167

CERTIFICATION	
---------------	--

MATERIAL	M2.5 Steel Zn plated	
Screws	Phosphor bronze, Ni plated	
Shrapnel	Brass, Sn plated	
Pin header	PA66, UL94V-0	
Housing	PA66, UL94V-0	
ELECTRICAL	UL	IEC
Standard	300V	250V
Rated voltage	8A	18A
Rated current	26-14AWG	2.5mm ²
Wire range	20mΩ	
Contact resistance	500MΩ/DC500V	
Insulation resistance	AC2000V/1Min	
Withstanding voltage	MECHANICAL	
Temp. range	-40°C~+105°C	
Max. soldering	+250°C 5 Sec	
Torque	4.08kgf-cm/0.4Nm/3.54Lbin	
Strip length	6-7mm	

MATERIAL	M3 Steel Zn plated	
Screws	Stainless steel	
Shrapnel	Brass, Sn plated	
Pin header	PA66, UL94V-0	
Housing	PA66, UL94V-0	
ELECTRICAL	UL	IEC
Standard	300V	250V
Rated voltage	15A	24A
Rated current	26-4AWG	2.5mm ²
Wire range	20mΩ	
Contact resistance	500MΩ/DC500V	
Insulation resistance	AC2000V/1Min	
Withstanding voltage	MECHANICAL	
Temp. range	-40°C~+105°C	
Max. soldering	+250°C 5 Sec	
Torque	5.10kgf-cm/0.5Nm/4.43Lbin	
Strip length	6-7mm	

MATERIAL	M2.5 Steel Zn plated	
Screws	Phosphor bronze, Ni plated	
Shrapnel	Brass, Sn plated	
Pin header	PA66, UL94V-0	
Housing	PA66, UL94V-0	
ELECTRICAL	UL	IEC
Standard	300V	250V
Rated voltage	15A	24A
Rated current	26-14AWG	2.5mm ²
Wire range	20mΩ	
Contact resistance	500MΩ/DC500V	
Insulation resistance	AC2000V/1Min	
Withstanding voltage	MECHANICAL	
Temp. range	-40°C~+105°C	
Max. soldering	+250°C 5 Sec	
Torque	4.08kgf-cm/0.4Nm/3.54Lbin	
Strip length	6-7mm	

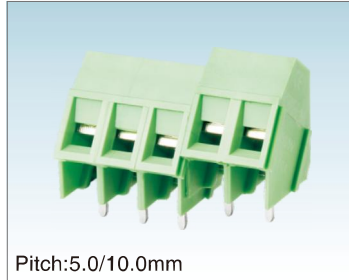




Pitch:5.0/10.0mm

MODEL: WJ167R

CERTIFICATION	
---------------	--



Pitch:5.0/10.0mm

MODEL: WJ103

CERTIFICATION	UL RALIS
---------------	----------



Pitch:5.0/10.0mm

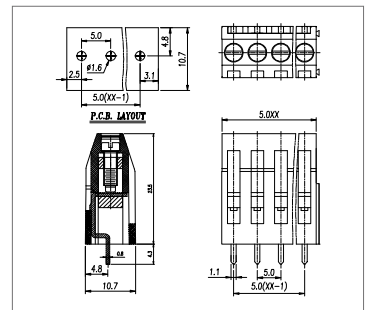
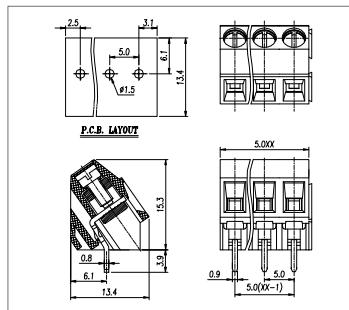
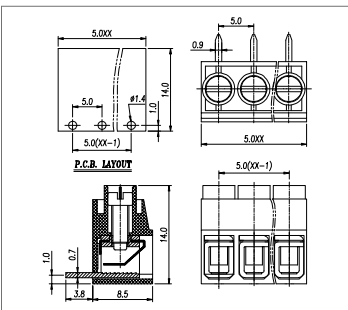
MODEL: WJ121

CERTIFICATION	
---------------	--

MATERIAL		
Screws	M2.5 Steel Zn plated	
Shrapnel	Phosphor bronze, Ni plated	
Pin header	Brass, Sn plated	
Housing	PA66, UL94V-0	
ELECTRICAL		
Standard	UL	IEC
Rated voltage	300V	250V
Rated current	15A	24A
Wire range	26-14AWG	2.5mm ²
Contact resistance	20m Ω	
Insulation resistance	500M Ω/DC500V	
Withstanding voltage	AC2000V/1Min	
MECHANICAL		
Temp. range	-40°C--+105°C	
Max. soldering	+250°C 5 Sec	
Torque	4.08kgf-cm/0.4Nm/3.54LbIn	
Strip length	6-7mm	

MATERIAL		
Screws	M2.5 Steel Zn plated	
Cage	Brass, Ni plated	
Pin header	Brass, Sn plated	
Housing	PA66, UL94V-0	
ELECTRICAL		
Standard	UL	IEC
Rated voltage	300V	250V
Rated current	16A	24A
Wire range	24-12AWG	2.5mm ²
Contact resistance	20m Ω	
Insulation resistance	500M Ω/DC500V	
Withstanding voltage	AC2000V/1Min	
MECHANICAL		
Temp. range	-40°C--+105°C	
Max. soldering	+250°C 5 Sec	
Torque	4.08kgf-cm/0.4Nm/3.54LbIn	
Strip length	6-7mm	

MATERIAL		
Screws	M3.0 Steel Zn plated	
Cage	Brass, Ni plated	
Pin header	Brass, Sn plated	
Housing	PA66, UL94V-0	
ELECTRICAL		
Standard	UL	IEC
Rated voltage	300V	250V
Rated current	10A	24A
Wire range	24-14AWG	2.5mm ²
Contact resistance	20m Ω	
Insulation resistance	500M Ω/DC500V	
Withstanding voltage	AC2000V/1Min	
MECHANICAL		
Temp. range	-40°C--+105°C	
Max. soldering	+250°C 5 Sec	
Torque	5.10kgf-cm/0.5Nm/4.43LbIn	
Strip length	6-7mm	

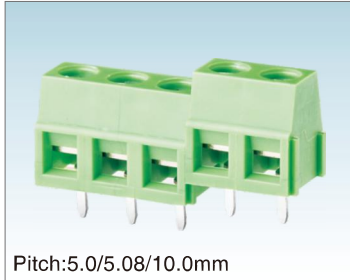




Pitch:5.0/10.0mm

MODEL: WJ122

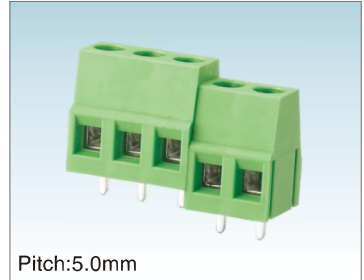
CERTIFICATION	
---------------	--



Pitch:5.0/5.0/10.0mm

MODEL: WJ127

CERTIFICATION	
---------------	--



Pitch:5.0mm

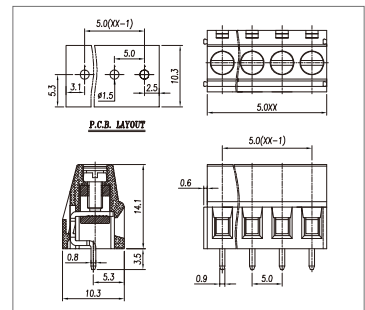
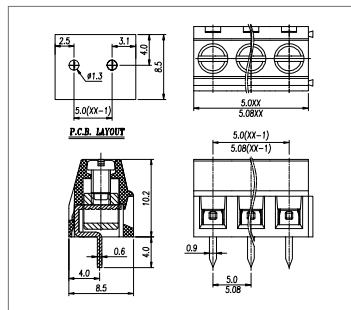
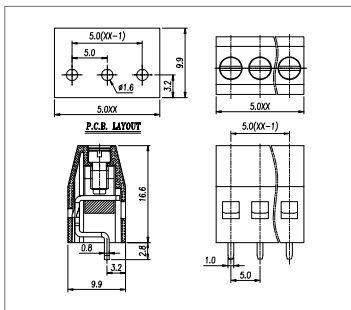
MODEL: WJ128-5.0

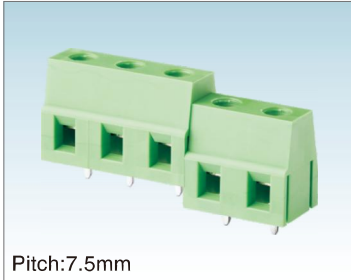
CERTIFICATION	
---------------	--

MATERIAL		
Screws	M3.0 Steel Zn plated	
Cage	Brass, Ni plated	
Pin header	Brass, Sn plated	
Housing	PA66, UL94V-0	
ELECTRICAL		
Standard	UL	IEC
Rated voltage	300V	250V
Rated current	10A	24A
Wire range	24-14AWG	2.5mm ²
Contact resistance	20mΩ	
Insulation resistance	500MΩ/DC500V	
Withstanding voltage	AC2000V/1Min	
MECHANICAL		
Temp. range	-40°C~+105°C	
Max. soldering	+250°C 5 Sec	
Torque	5.10kgf-cm/0.5Nm/4.43Lbin	
Strip length	6-7mm	

MATERIAL		
Screws	M2.0 Steel Zn plated	
Cage	Brass, Ni plated	
Pin header	Brass, Sn plated	
Housing	PA66, UL94V-0	
ELECTRICAL		
Standard	UL	IEC
Rated voltage	300V	250V
Rated current	12A	15A
Wire range	26-14AWG	1.5mm ²
Contact resistance	20mΩ	
Insulation resistance	500MΩ/DC500V	
Withstanding voltage	AC2000V/1Min	
MECHANICAL		
Temp. range	-40°C~+105°C	
Max. soldering	+250°C 5 Sec	
Torque	4.08kgf-cm/0.4Nm/3.54Lbin	
Strip length	6-7mm	

MATERIAL		
Screws	M2.5 Steel Zn plated	
Cage	Brass, Ni plated	
Pin header	Brass, Sn plated	
Housing	Pa66, UL94V-0	
ELECTRICAL		
Standard	UL	IEC
Rated voltage	300V	250V
Rated current	16A	20A
Wire range	22-12AWG	2.5mm ²
Contact resistance	20mΩ	
Insulation resistance	500MΩ/DC500V	
Withstanding voltage	AC2000V/1Min	
MECHANICAL		
Temp. range	-40°C~+105°C	
Max. soldering	+250°C 5 Sec	
Torque	4.08kgf-cm/0.4Nm/3.54Lbin	
Strip length	6-7mm	





Pitch:7.5mm

MODEL: WJ128-7.5

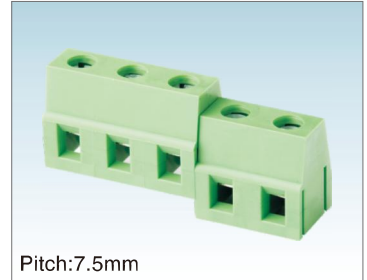
CERTIFICATION	
---------------	--



Pitch:5.0mm

MODEL: WJ128R-5.0

CERTIFICATION	
---------------	--



Pitch:7.5mm

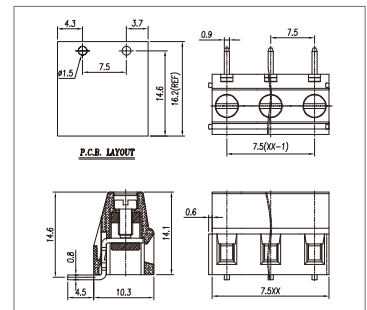
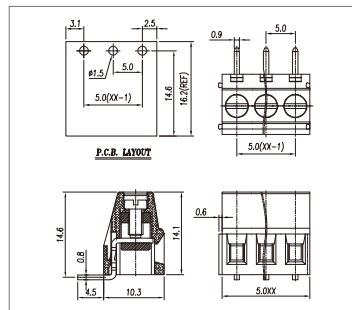
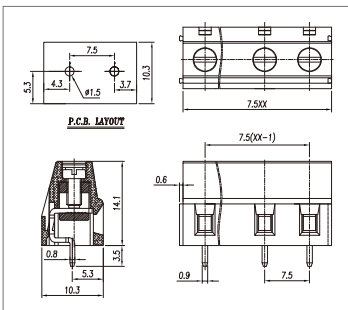
MODEL: WJ128R-7.5

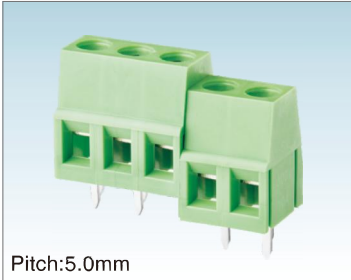
CERTIFICATION	
---------------	--

MATERIAL		
Screws	M2.5 Steel Zn plated	
Cage	Brass, Ni plated	
Pin header	Brass, Sn plated	
Housing	Pa66, UL94V-0	
ELECTRICAL		
Standard	UL	IEC
Rated voltage	300V	450V
Rated current	16A	20A
Wire range	22-12AWG	2.5mm ²
Contact resistance	20mΩ	
Insulation resistance	500MΩ/DC500V	
Withstanding voltage	AC2000V/1Min	
MECHANICAL		
Temp. range	-40°C--+105°C	
Max. soldering	+250°C 5 Sec	
Torque	4.08kgf-cm/0.4Nm/3.54Lbin	
Strip length	6-7mm	

MATERIAL		
Screws	M2.5 Steel Zn plated	
Cage	Brass, Ni plated	
Pin header	Brass, Sn plated	
Housing	PA66, UL94V-0	
ELECTRICAL		
Standard	UL	IEC
Rated voltage	300V	250V
Rated current	16A	20A
Wire range	22-12AWG	2.5mm ²
Contact resistance	20mΩ	
Insulation resistance	500MΩ/DC500V	
Withstanding voltage	AC2000V/1Min	
MECHANICAL		
Temp. range	-40°C--+105°C	
Max. soldering	+250°C 5 Sec	
Torque	4.08kgf-cm/0.4Nm/3.54Lbin	
Strip length	6-7mm	

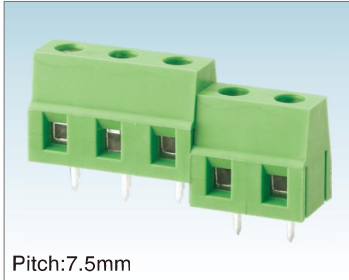
MATERIAL		
Screws	M2.5 Steel Zn plated	
Cage	Brass, Ni plated	
Pin header	Brass, Sn plated	
Housing	PA66, UL94V-0	
ELECTRICAL		
Standard	UL	IEC
Rated voltage	300V	450V
Rated current	16A	20A
Wire range	22-12AWG	2.5mm ²
Contact resistance	20mΩ	
Insulation resistance	500MΩ/DC500V	
Withstanding voltage	AC2000V/1Min	
MECHANICAL		
Temp. range	-40°C--+105°C	
Max. soldering	+250°C 5 Sec	
Torque	4.08kgf-cm/0.4Nm/3.54Lbin	
Strip length	6-7mm	





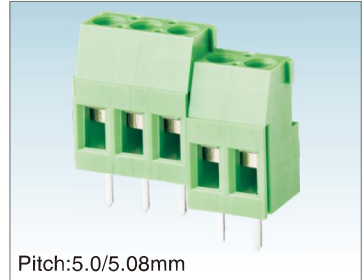
Pitch:5.0mm

MODEL: WJ128E-5.0



Pitch:7.5mm

MODEL: WJ128E-7.5




Pitch:5.0/5.08mm

MODEL: WJ129-5.0/5.08

CERTIFICATION

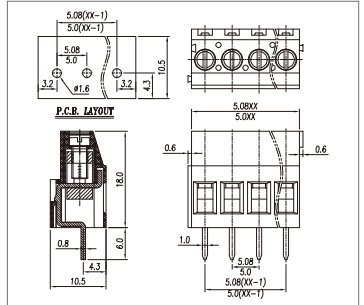
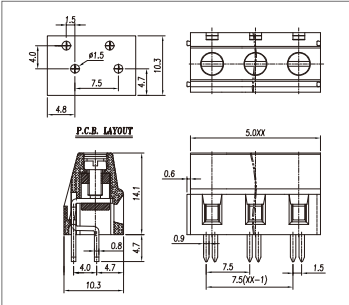
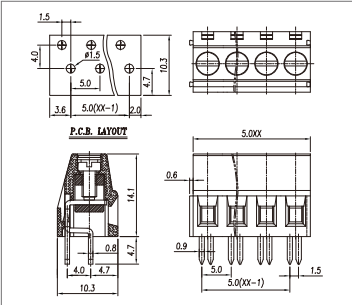
CERTIFICATION

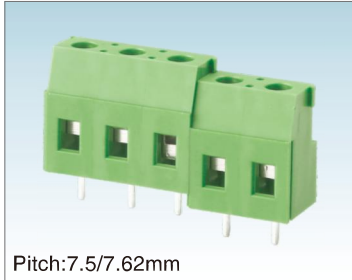
CERTIFICATION 

MATERIAL		
Screws	M2.5 Steel Zn plated	
Cage	Brass, Ni plated	
Pin header	Brass, Sn plated	
Housing	PA66, UL94V-0	
ELECTRICAL		
Standard	UL	IEC
Rated voltage	300V	250V
Rated current	16A	20A
Wire range	22-12AWG	2.5mm ²
Contact resistance	20mΩ	
Insulation resistance	500MΩ/DC500V	
Withstanding voltage	AC2000V/1Min	
MECHANICAL		
Temp. range	-40°C~+105°C	
Max. soldering	+250°C 5 Sec	
Torque	4.08kgf-cm/0.4Nm/3.54Lbin	
Strip length	6-7mm	

MATERIAL		
Screws	M2.5 Steel Zn plated	
Cage	Brass, Ni plated	
Pin header	Brass, Sn plated	
Housing	PA66, UL94V-0	
ELECTRICAL		
Standard	UL	IEC
Rated voltage	300V	450V
Rated current	16A	20A
Wire range	22-12AWG	2.5mm ²
Contact resistance	20mΩ	
Insulation resistance	500MΩ/DC500V	
Withstanding voltage	AC2000V/1Min	
MECHANICAL		
Temp. range	-40°C~+105°C	
Max. soldering	+250°C 5 Sec	
Torque	4.08kgf-cm/0.4Nm/3.54Lbin	
Strip length	6-7mm	

MATERIAL		
Screws	M3.0 Steel Zn plated	
Cage	Brass, Ni plated	
Pin header	Brass, Sn plated	
Housing	PA66, UL94V-0	
ELECTRICAL		
Standard	UL	IEC
Rated voltage	300V	250V
Rated current	20A	20A
Wire range	26-12AWG	2.5mm ²
Contact resistance	20mΩ	
Insulation resistance	500MΩ/DC500V	
Withstanding voltage	AC2000V/1Min	
MECHANICAL		
Temp. range	-40°C~+105°C	
Max. soldering	+250°C 5 Sec	
Torque	5.10kgf-cm/0.5Nm/4.43Lbin	
Strip length	6-7mm	





Pitch:7.5/7.62mm

MODEL: WJ129-7.5/7.62

CERTIFICATION	
---------------	--



Pitch:5.0/5.08mm

MODEL: WJ129R-5.0/5.08

CERTIFICATION	
---------------	--



Pitch:7.5/7.62mm

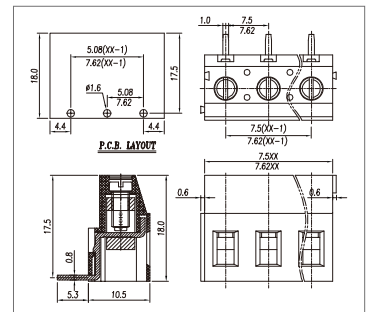
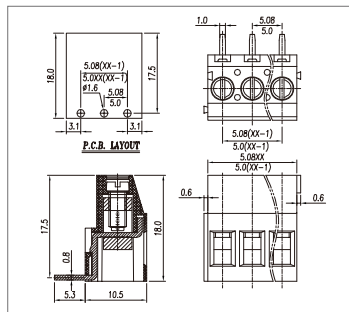
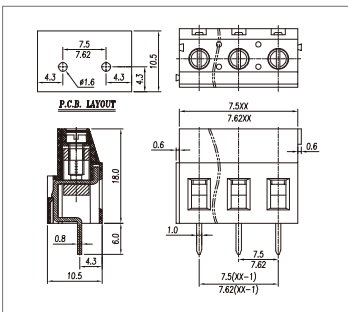
MODEL: WJ129R-7.5/7.62

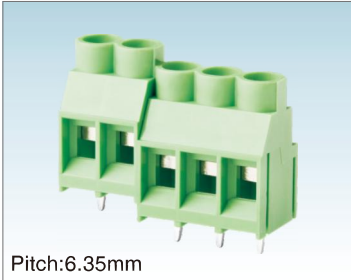
CERTIFICATION	
---------------	--

MATERIAL	M3.0 Steel Zn plated	
Screws	Brass, Ni plated	
Cage	Brass, Sn plated	
Pin header	PA66, UL94V-0	
Housing	PA66, UL94V-0	
ELECTRICAL	UL	IEC
Standard	300V	450V
Rated voltage	20A	20A
Rated current	26-12AWG	2.5mm ²
Wire range	20mΩ	
Contact resistance	500MΩ/DC500V	
Insulation resistance	AC2000V/1Min	
Withstanding voltage	MECHANICAL	
	Temp. range	-40°C~+105°C
	Max. soldering	+250°C 5 Sec
	Torque	5.10kgf-cm/0.5Nm/4.43Lbin
	Strip length	6-7mm

MATERIAL	M3.0 Steel Zn plated	
Screws	Brass, Ni plated	
Cage	Brass, Sn plated	
Pin header	PA66, UL94V-0	
Housing	PA66, UL94V-0	
ELECTRICAL	UL	IEC
Standard	300V	250V
Rated voltage	20A	20A
Rated current	26-12AWG	2.5mm ²
Wire range	20mΩ	
Contact resistance	500MΩ/DC500V	
Insulation resistance	AC2000V/1Min	
Withstanding voltage	MECHANICAL	
	Temp. range	-40°C~+105°C
	Max. soldering	+250°C 5 Sec
	Torque	5.10kgf-cm/0.5Nm/4.43Lbin
	Strip length	6-7mm

MATERIAL	M3.0 Steel Zn plated	
Screws	Brass, Ni plated	
Cage	Brass, Sn plated	
Pin header	PA66, UL94V-0	
Housing	PA66, UL94V-0	
ELECTRICAL	UL	IEC
Standard	300V	450V
Rated voltage	20A	20A
Rated current	26-12AWG	2.5mm ²
Wire range	20mΩ	
Contact resistance	500MΩ/DC500V	
Insulation resistance	AC2000V/1Min	
Withstanding voltage	MECHANICAL	
	Temp. range	-40°C~+105°C
	Max. soldering	+250°C 5 Sec
	Torque	5.10kgf-cm/0.5Nm/4.43Lbin
	Strip length	6-7mm

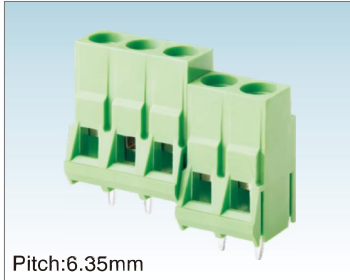




Pitch:6.35mm

MODEL: WJ635

CERTIFICATION	
---------------	--



Pitch:6.35mm

MODEL: WJ636

CERTIFICATION	
---------------	--



Pitch:7.5mm

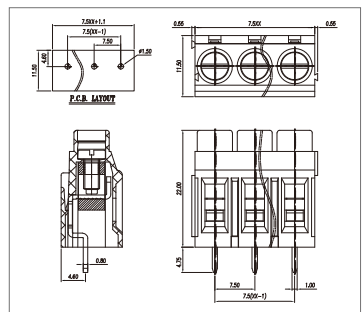
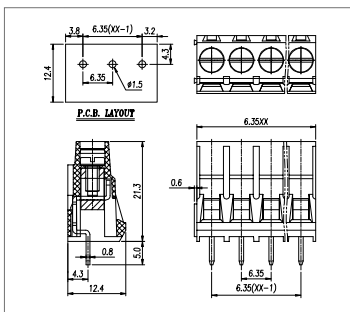
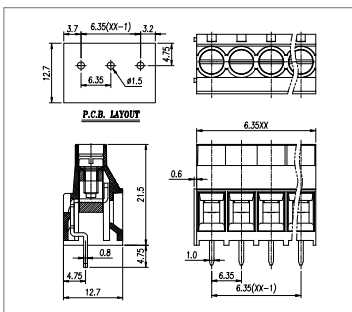
MODEL: WJ750

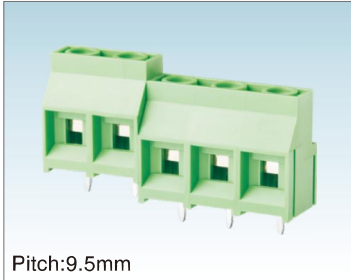
CERTIFICATION	
---------------	--

MATERIAL		
Screws	M3.0 Steel Zn plated	
Cage	Brass, Ni plated	
Pin header	Brass, Sn plated	
Housing	PA66, UL94V-0	
ELECTRICAL		
Standard	UL	IEC
Rated voltage	300V	450V
Rated current	30A	32A
Wire range	26-10AWG	4.0mm ²
Contact resistance	20mΩ	
Insulation resistance	500MΩ/DC500V	
Withstanding voltage	AC2000V/1Min	
MECHANICAL		
Temp. range	-40°C~+105°C	
Max. soldering	+250°C 5 Sec	
Torque	5.10kgf-cm/0.5Nm/4.43Lbin	
Strip length	6-7mm	

MATERIAL		
Screws	M3.0 Steel Zn plated	
Cage	Brass, Ni plated	
Pin header	Brass, Sn plated	
Housing	PA66, UL94V-0	
ELECTRICAL		
Standard	UL	IEC
Rated voltage	300V	450V
Rated current	30A	32A
Wire range	26-10AWG	4.0mm ²
Contact resistance	20mΩ	
Insulation resistance	500MΩ/DC500V	
Withstanding voltage	AC2000V/1Min	
MECHANICAL		
Temp. range	-40°C~+105°C	
Max. soldering	+250°C 5 Sec	
Torque	5.10kgf-cm/0.5Nm/4.43Lbin	
Strip length	6-7mm	

MATERIAL		
Screws	M3.0 Steel Zn plated	
Cage	Brass, Ni plated	
Pin header	Brass, Sn plated	
Housing	PA66, UL94V-0	
ELECTRICAL		
Standard	UL	IEC
Rated voltage	300V	450V
Rated current	30A	32A
Wire range	26-10AWG	4.0mm ²
Contact resistance	20mΩ	
Insulation resistance	500MΩ/DC500V	
Withstanding voltage	AC2000V/1Min	
MECHANICAL		
Temp. range	-40°C~+105°C	
Max. soldering	+250°C 5 Sec	
Torque	5.10kgf-cm/0.5Nm/4.43Lbin	
Strip length	6-7mm	

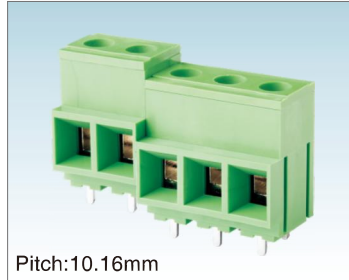




Pitch:9.5mm

MODEL: WJ950

CERTIFICATION	
---------------	--



Pitch:10.16mm

MODEL: WJ116V

CERTIFICATION	
---------------	--



Pitch:12.7mm

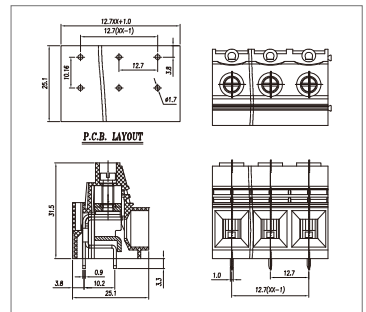
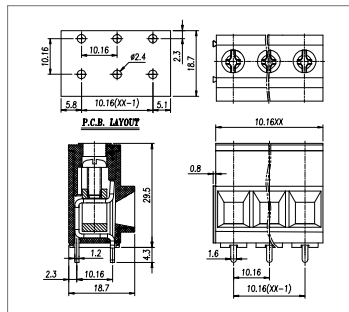
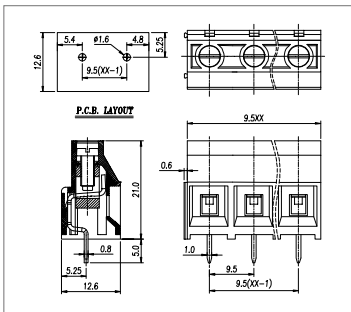
MODEL: WJ117

CERTIFICATION	
---------------	--

MATERIAL	
Screws	M3.0 Steel Zn plated
Cage	Brass, Ni plated
Pin header	Brass, Sn plated
Housing	PA66, UL94V-0
ELECTRICAL	
Standard	UL IEC
Rated voltage	300V 450V
Rated current	30A 32A
Wire range	26-10AWG 4.0mm ²
Contact resistance	20mΩ
Insulation resistance	500MΩ/DC500V
Withstanding voltage	AC2000V/1Min
MECHANICAL	
Temp. range	-40°C~+105°C
Max. soldering	+250°C 5 Sec
Torque	5.10kgf-cm/0.5Nm/4.43Lbin
Strip length	6-7mm

MATERIAL	
Screws	M4.0 Steel Zn plated
Cage	Brass, Ni plated
Pin header	Brass, Sn plated
Housing	PA66, UL94V-0
ELECTRICAL	
Standard	UL IEC
Rated voltage	300V 750V
Rated current	52A 57A
Wire range	26-6AWG 10.0mm ²
Contact resistance	20mΩ
Insulation resistance	500MΩ/DC500V
Withstanding voltage	AC2000V/1Min
MECHANICAL	
Temp. range	-40°C~+105°C
Max. soldering	+250°C 5 Sec
Torque	12.24kgf-cm/1.2Nm/10.53Lbin
Strip length	10-11mm

MATERIAL	
Screws	M4.0 Steel Zn plated
Cage	Brass, Ni plated
Pin header	Brass, Sn plated
Housing	PA66, UL94V-0
ELECTRICAL	
Standard	UL IEC
Rated voltage	600V 1000V
Rated current	60A 57A
Wire range	20-6AWG 10.0mm ²
Contact resistance	20mΩ
Insulation resistance	500MΩ/DC500V
Withstanding voltage	AC2500V/1Min
MECHANICAL	
Temp. range	-40°C~+105°C
Max. soldering	+250°C 5 Sec
Torque	12.24kgf-cm/1.2Nm/10.53Lbin
Strip length	10-11mm





Pitch: 10.16mm

MODEL: WJ116VW

CERTIFICATION



Pitch: 10.16/12.7mm


MODEL: WJ116VK

CERTIFICATION



Pitch: 5.0/10.0mm

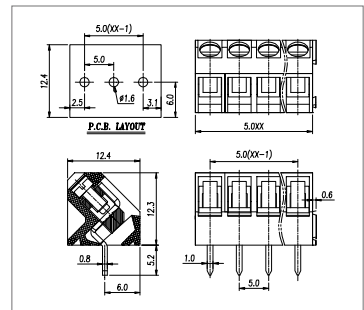
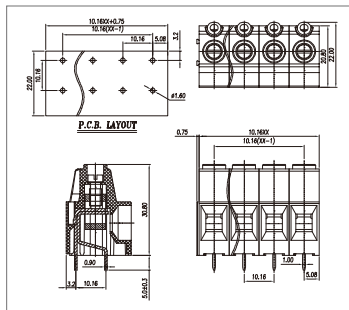
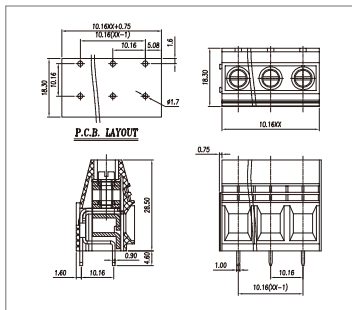
MODEL: WJ330

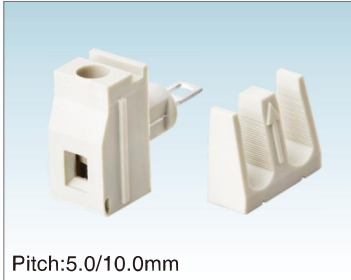
CERTIFICATION 

MATERIAL		
Screws	M4.0 Steel Zn plated	
Cage	Brass, Ni plated	
Pin header	Brass, Sn plated	
Housing	PA66, UL94V-0	
ELECTRICAL		
Standard	UL	IEC
Rated voltage	600V	1000V
Rated current	60A	57A
Wire range	20-6AWG	10mm ²
Contact resistance	20mΩ	
Insulation resistance	500MΩ/DC500V	
Withstanding voltage	AC2500V/1Min	
MECHANICAL		
Temp. range	-40°C ~ +105°C	
Max. soldering	+250°C 5 Sec	
Torque	12.24kgf-cm/1.2Nm/10.53LbIn	
Strip length	10-11mm	

MATERIAL		
Screws	M4.0 Steel Zn plated	
Cage	Brass, Ni plated	
Pin header	Brass, Sn plated	
Housing	PA66, UL94V-0	
ELECTRICAL		
Standard	UL	IEC
Rated voltage	300V	1000V
Rated current	60A	57A
Wire range	20-6AWG	10mm ²
Contact resistance	20mΩ	
Insulation resistance	500MΩ/DC500V	
Withstanding voltage	AC2500V/1Min	
MECHANICAL		
Temp. range	-40°C ~ +105°C	
Max. soldering	+250°C 5 Sec	
Torque	12.24kgf-cm/1.2Nm/10.53LbIn	
Strip length	10-11mm	

MATERIAL		
Screws	M2.5 Steel Zn plated	
Cage	Brass, Ni plated	
Pin header	Brass, Sn plated	
Housing	PA66, UL94V-0	
ELECTRICAL		
Standard	UL	IEC
Rated voltage	300V	250V
Rated current	15A	24A
Wire range	22-14AWG	2.5mm ²
Contact resistance	20mΩ	
Insulation resistance	500MΩ/DC500V	
Withstanding voltage	AC2000V/1Min	
MECHANICAL		
Temp. range	-40°C ~ +105°C	
Max. soldering	+250°C 5 Sec	
Torque	4.08kgf-cm/0.4Nm/3.54LbIn	
Strip length	6-7mm	





Pitch:5.0/10.0mm

MODEL: WJ410

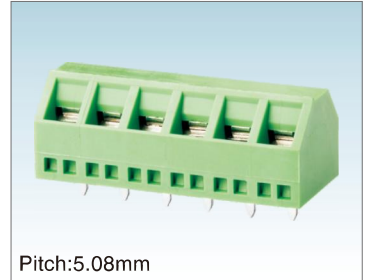
CERTIFICATION	
---------------	--



Pitch:5.0/10.0mm

MODEL: WJ1010

CERTIFICATION	
---------------	--



Pitch:5.08mm

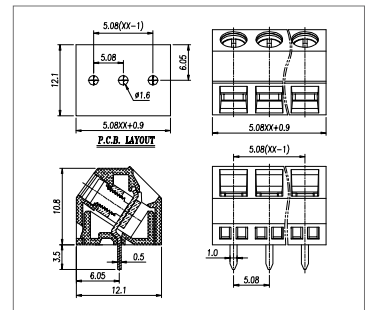
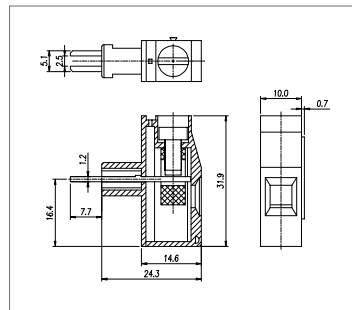
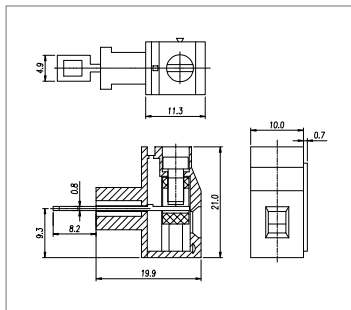
MODEL: XD508

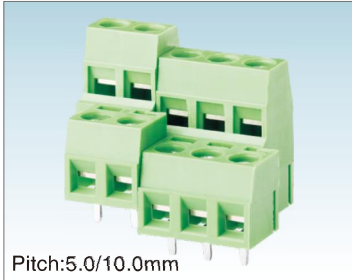
CERTIFICATION	
---------------	--

MATERIAL		
Screws	M3.0 Steel Zn plated	
Cage	Brass, Ni plated	
Pin header	Brass, Sn plated	
Housing	PA66, UL94V-0	
ELECTRICAL		
Standard	UL	IEC
Rated voltage	300V	450V
Rated current	16A	24A
Wire range	26-12AWG	2.5mm ²
Contact resistance	20mΩ	
Insulation resistance	500MΩ/DC500V	
Withstanding voltage	AC2000V/1Min	
MECHANICAL		
Temp. range	-40°C--+105°C	
Max. soldering	+250°C 5 Sec	
Torque	5.10kgf-cm/0.5Nm/4.43Lbin	
Strip length	7-8mm	

MATERIAL		
Screws	M4.0 Steel Zn plated	
Cage	Brass, Ni plated	
Pin header	Brass, Sn plated	
Housing	PA66, UL94V-0	
ELECTRICAL		
Standard	UL	IEC
Rated voltage	300V	750V
Rated current	30A	41A
Wire range	26-10AWG	6.0mm ²
Contact resistance	20mΩ	
Insulation resistance	500MΩ/DC500V	
Withstanding voltage	AC3000V/1Min	
MECHANICAL		
Temp. range	-40°C--+105°C	
Max. soldering	+250°C 5 Sec	
Torque	12.24kgf-cm/1.2Nm/10.53Lbin	
Strip length	7-8mm	

MATERIAL		
Screws	M2.5 Steel Zn plated	
Cage	Brass, Ni plated	
Pin header	Brass, Sn plated	
Housing	PA66, UL94V-0	
ELECTRICAL		
Standard	UL	IEC
Rated voltage	300V	250V
Rated current	15A	17.5A
Wire range	26-14AWG	1.5mm ²
Contact resistance	20mΩ	
Insulation resistance	500MΩ/DC500V	
Withstanding voltage	AC2000V/1Min	
MECHANICAL		
Temp. range	-40°C--+105°C	
Max. soldering	+250°C 5 Sec	
Torque	4.08kgf-cm/0.4Nm/3.54Lbin	
Strip length	6-7mm	

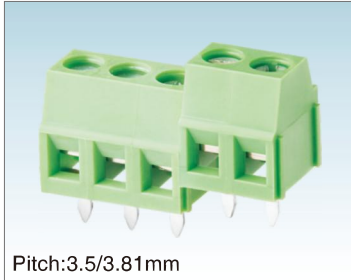




Pitch:5.0/10.0mm

MODEL: WJA500

CERTIFICATION	
---------------	--



Pitch:3.5/3.81mm

MODEL: WJEK350/381

CERTIFICATION	
---------------	--



Pitch:3.5/3.81mm

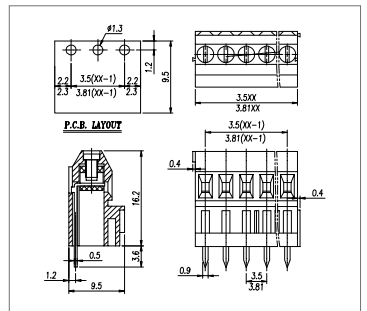
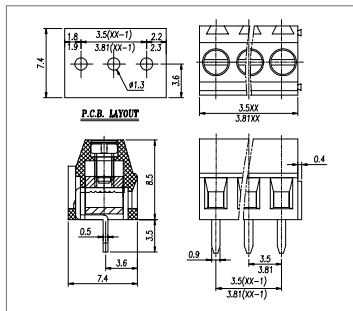
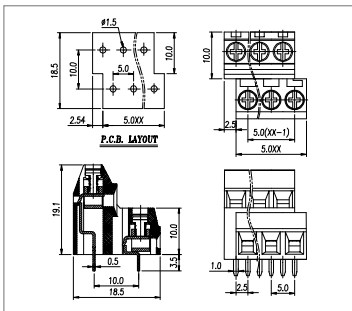
MODEL: WJEEK350/381

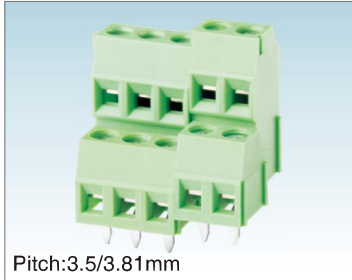
CERTIFICATION	
---------------	--

MATERIAL		
Screws	M2.5 Steel Zn plated	
Cage	Brass, Ni plated	
Pin header	Brass, Sn plated	
Housing	PA66, UL94V-0	
ELECTRICAL		
Standard	UL	IEC
Rated voltage	300V	250V
Rated current	15A	17.5A
Wire range	26-14AWG	1.5mm ²
Contact resistance	20mΩ	
Insulation resistance	500MΩ/DC500V	
Withstanding voltage	AC2000V/1Min	
MECHANICAL		
Temp. range	-40°C~+105°C	
Max. soldering	+250°C 5 Sec	
Torque	4.08kgf-cm/0.4Nm/3.54Lbin	
Strip length	6-7mm	

MATERIAL		
Screws	M2.0 Steel Zn plated	
Cage	Brass, Ni plated	
Pin header	Brass, Sn plated	
Housing	PA66, UL94V-0	
ELECTRICAL		
Standard	UL	IEC
Rated voltage	300V	250V
Rated current	10A	13.5A
Wire range	30-16AWG	1.0mm ²
Contact resistance	20mΩ	
Insulation resistance	500MΩ/DC500V	
Withstanding voltage	AC2000V/1Min	
MECHANICAL		
Temp. range	-40°C~+105°C	
Max. soldering	+250°C 5 Sec	
Torque	2.04kgf-cm/0.2Nm/1.77Lbin	
Strip length	5-6mm	

MATERIAL		
Screws	M2.0 Steel Zn plated	
Cage	Brass, Ni plated	
Pin header	Brass, Sn plated	
Housing	PA66, UL94V-0	
ELECTRICAL		
Standard	UL	IEC
Rated voltage	300V	250V
Rated current	10A	13.5A
Wire range	30-16AWG	1.0mm ²
Contact resistance	20mΩ	
Insulation resistance	500MΩ/DC500V	
Withstanding voltage	AC2000V/1Min	
MECHANICAL		
Temp. range	-40°C~+105°C	
Max. soldering	+250°C 5 Sec	
Torque	2.04kgf-cm/0.2Nm/1.77Lbin	
Strip length	5-6mm	

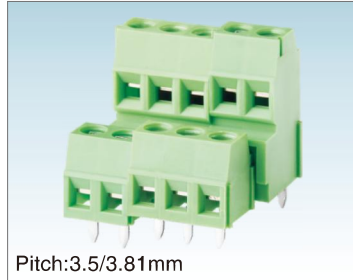




Pitch:3.5/3.81mm

MODEL: WJEK350A/381A

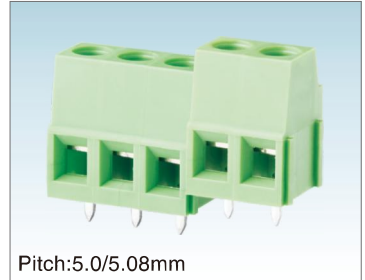
CERTIFICATION	
---------------	--



Pitch:3.5/3.81mm

MODEL: WJEK350B/381B

CERTIFICATION	
---------------	--



Pitch:5.0/5.08mm

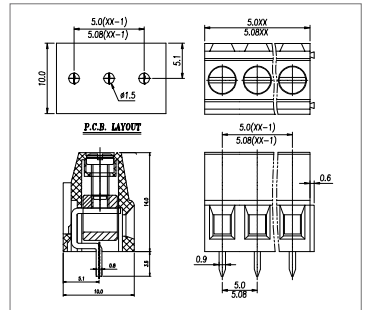
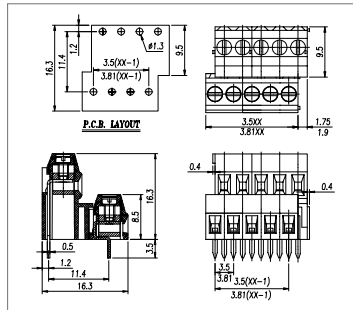
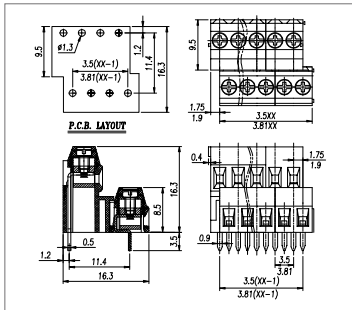
MODEL: WJEK500/508

CERTIFICATION	
---------------	--

MATERIAL	
Screws	M2.0 Steel Zn plated
Cage	Brass, Ni plated
Pin header	Brass, Sn plated
Housing	PA66, UL94V-0
ELECTRICAL	
Standard	UL IEC
Rated voltage	300V 250V
Rated current	10A 13.5A
Wire range	30-16AWG 1.0mm ²
Contact resistance	20mΩ
Insulation resistance	500MΩ/DC500V
Withstanding voltage	AC2000V/1Min
MECHANICAL	
Temp. range	-40°C~+105°C
Max. soldering	+250°C 5 Sec
Torque	2.04kgf-cm/0.2Nm/1.77Lbin
Strip length	5-6mm

MATERIAL	
Screws	M2.0 Steel Zn plated
Cage	Brass, Ni plated
Pin header	Brass, Sn plated
Housing	PA66, UL94V-0
ELECTRICAL	
Standard	UL IEC
Rated voltage	300V 250V
Rated current	10A 13.5A
Wire range	30-16AWG 1.0mm ²
Contact resistance	20mΩ
Insulation resistance	500MΩ/DC500V
Withstanding voltage	AC2000V/1Min
MECHANICAL	
Temp. range	-40°C~+105°C
Max. soldering	+250°C 5 Sec
Torque	2.04kgf-cm/0.2Nm/1.77Lbin
Strip length	5-6mm

MATERIAL	
Screws	M2.5 Steel Zn plated
Cage	Brass, Ni plated
Pin header	Brass, Sn plated
Housing	PA66, UL94V-0
ELECTRICAL	
Standard	UL IEC
Rated voltage	300V 250V
Rated current	15A 18A
Wire range	30-14AWG 2.5mm ²
Contact resistance	20mΩ
Insulation resistance	500MΩ/DC500V
Withstanding voltage	AC2000V/1Min
MECHANICAL	
Temp. range	-40°C~+105°C
Max. soldering	+250°C 5 Sec
Torque	4.08kgf-cm/0.4Nm/3.54Lbin
Strip length	6-7mm





Pitch:5.0/5.08mm

MODEL: WJEEK500/508



Pitch:5.0/5.08mm

MODEL: WJE3K500/508



Pitch:5.0/5.08mm

MODEL: WJEK500A/508A

CERTIFICATION



CERTIFICATION



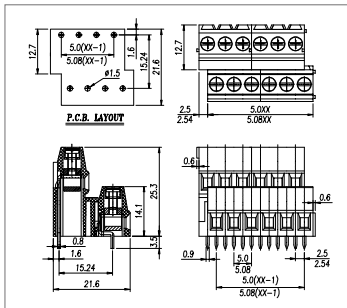
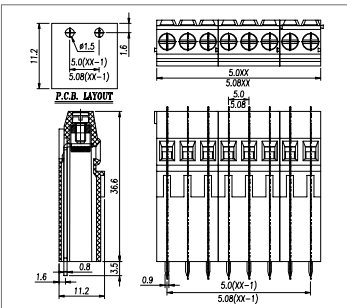
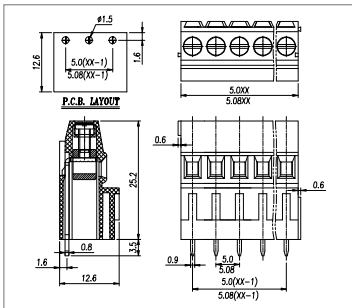
CERTIFICATION

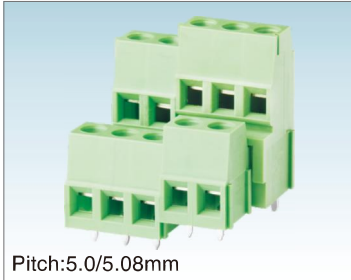


MATERIAL		
Screws	M2.5 Steel Zn plated	
Cage	Brass, Ni plated	
Pin header	Brass, Sn plated	
Housing	PA66, UL94V-0	
ELECTRICAL		
Standard	UL	IEC
Rated voltage	300V	250V
Rated current	15A	18A
Wire range	30-14AWG	2.5mm ²
Contact resistance	20mΩ	
Insulation resistance	500MΩ/DC500V	
Withstanding voltage	AC2000V/1Min	
MECHANICAL		
Temp. range	-40°C--+105°C	
Max. soldering	+250°C 5 Sec	
Torque	4.08kgf-cm/0.4Nm/3.54Lbin	
Strip length	6-7mm	

MATERIAL		
Screws	M2.5 Steel Zn plated	
Cage	Brass, Ni plated	
Pin header	Brass, Sn plated	
Housing	PA66, UL94V-0	
ELECTRICAL		
Standard	UL	IEC
Rated voltage	300V	250V
Rated current	15A	18A
Wire range	30-14AWG	2.5mm ²
Contact resistance	20mΩ	
Insulation resistance	500MΩ/DC500V	
Withstanding voltage	AC2000V/1Min	
MECHANICAL		
Temp. range	-40°C--+105°C	
Max. soldering	+250°C 5 Sec	
Torque	4.08kgf-cm/0.4Nm/3.54Lbin	
Strip length	6-7mm	

MATERIAL		
Screws	M2.5 Steel Zn plated	
Cage	Brass, Ni plated	
Pin header	Brass, Sn plated	
Housing	PA66, UL94V-0	
ELECTRICAL		
Standard	UL	IEC
Rated voltage	300V	250V
Rated current	15A	18A
Wire range	30-14AWG	2.5mm ²
Contact resistance	20mΩ	
Insulation resistance	500MΩ/DC500V	
Withstanding voltage	AC2000V/1Min	
MECHANICAL		
Temp. range	-40°C--+105°C	
Max. soldering	+250°C 5 Sec	
Torque	4.08kgf-cm/0.4Nm/3.54Lbin	
Strip length	6-7mm	





Pitch:5.0/5.08mm

MODEL: WJEK500B/508B

CERTIFICATION	
---------------	--



Pitch:5.0/5.08mm

WJE2K500A/WJE2K508A

CERTIFICATION	
---------------	--



Pitch:5.0/5.08mm

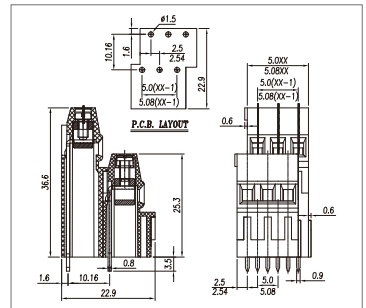
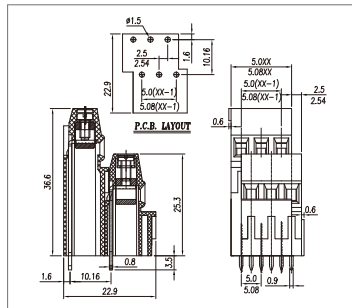
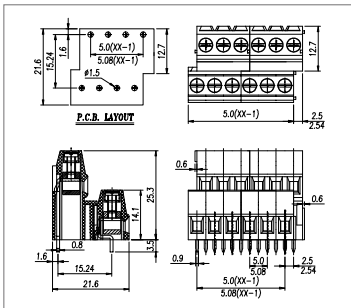
WJE2K500B/WJE2K508B

CERTIFICATION	
---------------	--

MATERIAL		
Screws	M2.5 Steel Zn plated	
Cage	Brass, Ni plated	
Pin header	Brass, Sn plated	
Housing	PA66, UL94V-0	
ELECTRICAL		
Standard	UL	IEC
Rated voltage	300V	250V
Rated current	15A	18A
Wire range	30-14AWG	2.5mm ²
Contact resistance	20mΩ	
Insulation resistance	500MΩ/DC500V	
Withstanding voltage	AC2000V/1Min	
MECHANICAL		
Temp. range	-40°C--+105°C	
Max. soldering	+250°C 5 Sec	
Torque	4.08kgf-cm/0.4Nm/3.54Lbin	
Strip length	6-7mm	

MATERIAL		
Screws	M2.5 Steel Zn plated	
Cage	Brass, Ni plated	
Pin header	Brass, Sn plated	
Housing	PA66, UL94V-0	
ELECTRICAL		
Standard	UL	IEC
Rated voltage	300V	250V
Rated current	15A	18A
Wire range	30-14AWG	2.5mm ²
Contact resistance	20mΩ	
Insulation resistance	500MΩ/DC500V	
Withstanding voltage	AC2000V/1Min	
MECHANICAL		
Temp. range	-40°C--+105°C	
Max. soldering	+250°C 5 Sec	
Torque	4.08kgf-cm/0.4Nm/3.54Lbin	
Strip length	6-7mm	

MATERIAL		
Screws	M2.5 Steel Zn plated	
Cage	Brass, Ni plated	
Pin header	Brass, Sn plated	
Housing	PA66, UL94V-0	
ELECTRICAL		
Standard	UL	IEC
Rated voltage	300V	250V
Rated current	15A	18A
Wire range	30-14AWG	2.5mm ²
Contact resistance	20mΩ	
Insulation resistance	500MΩ/DC500V	
Withstanding voltage	AC2000V/1Min	
MECHANICAL		
Temp. range	-40°C--+105°C	
Max. soldering	+250°C 5 Sec	
Torque	4.08kgf-cm/0.4Nm/3.54Lbin	
Strip length	6-7mm	





Pitch:5.0/5.08mm

MODEL: WJE3K500A/508A



Pitch:5.0/5.08mm

MODEL: WJE3K500B/508B



Pitch:5.0mm

MODEL: WJ105R

CERTIFICATION



CERTIFICATION



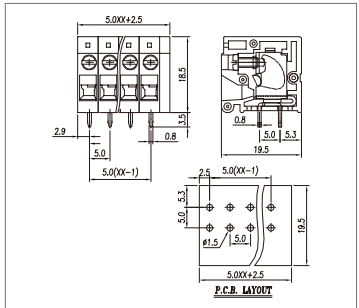
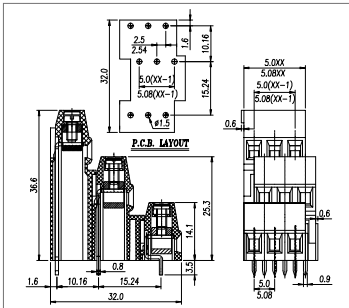
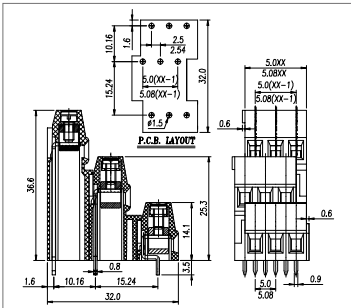
CERTIFICATION



MATERIAL		
Screws	M2.5 Steel Zn plated	
Cage	Brass, Ni plated	
Pin header	Brass, Sn plated	
Housing	PA66, UL94V-0	
ELECTRICAL		
Standard	UL	IEC
Rated voltage	300V	250V
Rated current	15A	18A
Wire range	30-14AWG	2.5mm ²
Contact resistance	20mΩ	
Insulation resistance	500MΩ/DC500V	
Withstanding voltage	AC2000V/1Min	
MECHANICAL		
Temp. range	-40°C~+105°C	
Max. soldering	+250°C 5 Sec	
Torque	4.08kgf-cm/0.4Nm/3.54Lbin	
Strip length	6-7mm	

MATERIAL		
Screws	M2.5 Steel Zn plated	
Cage	Brass, Ni plated	
Pin header	Brass, Sn plated	
Housing	PA66, UL94V-0	
ELECTRICAL		
Standard	UL	IEC
Rated voltage	300V	250V
Rated current	15A	18A
Wire range	30-14AWG	2.5mm ²
Contact resistance	20mΩ	
Insulation resistance	500MΩ/DC500V	
Withstanding voltage	AC2000V/1Min	
MECHANICAL		
Temp. range	-40°C~+105°C	
Max. soldering	+250°C 5 Sec	
Torque	4.08kgf-cm/0.4Nm/3.54Lbin	
Strip length	6-7mm	

MATERIAL		
Screws	M2.5 Steel Zn plated	
Cage	Steel, Zn plated	
Pin header	Brass, Sn plated	
Slide block	Steel, Zn plated	
Housing	PA66, UL94V-0	
ELECTRICAL		
Standard	UL	IEC
Rated voltage	300V	450V
Rated current	20A	24A
Wire range	24-12AWG	2.5mm ²
Contact resistance	20mΩ	
Insulation resistance	500MΩ/DC500V	
Withstanding voltage	AC2000V/1Min	
MECHANICAL		
Temp. range	-40°C~+105°C	
Max. soldering	+250°C 5 Sec	
Torque	4.08kgf-cm/0.4Nm/3.54Lbin	
Strip length	12-13mm	

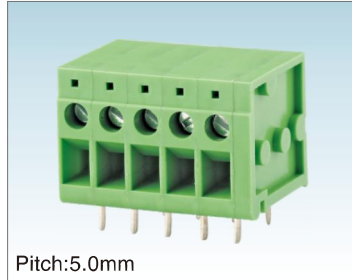




Pitch:5.0mm

MODEL: WJ105V

CERTIFICATION	
---------------	--



Pitch:5.0mm

WJ105RA

CERTIFICATION	
---------------	--



Pitch:5.0mm

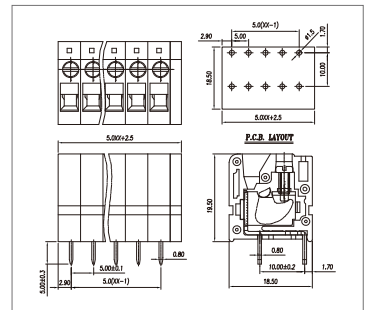
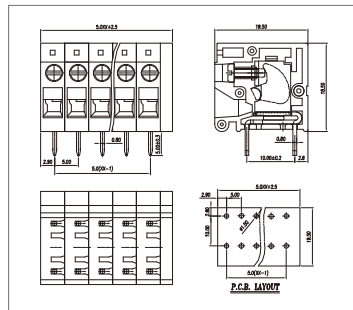
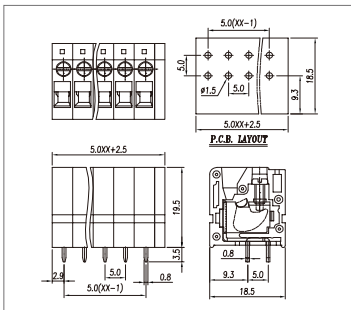
WJ105VA

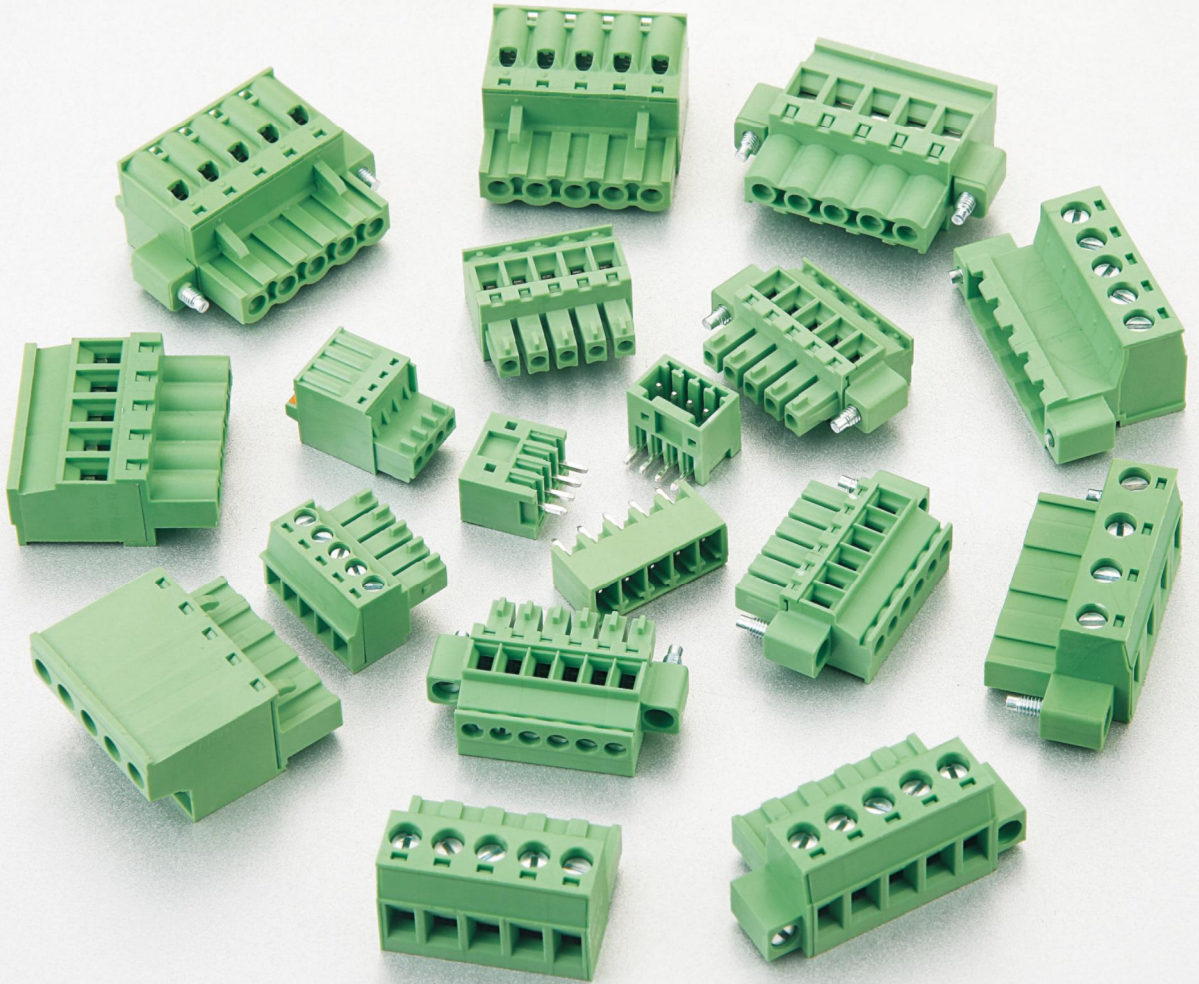
CERTIFICATION	
---------------	--

MATERIAL		
Screws	M2.5 Steel Zn plated	
Cage	Steel, Zn plated	
Pin header	Brass, Sn plated	
Slide block	Steel, Zn plated	
Housing	PA66, UL94V-0	
ELECTRICAL		
Standard	UL	IEC
Rated voltage	300V	450V
Rated current	20A	24A
Wire range	24-12AWG	2.5mm ²
Contact resistance	20mΩ	
Insulation resistance	500MΩ/DC500V	
Withstanding voltage	AC2000V/1Min	
MECHANICAL		
Temp. range	-40°C~+105°C	
Max. soldering	+250°C 5 Sec	
Torque	4.08kgf-cm/0.4Nm/3.54Lbin	
Strip length	12-13mm	

MATERIAL		
Screws	M2.5 Steel Zn plated	
Cage	Steel, Zn plated	
Pin header	Brass, Sn plated	
Slide block	Steel, Zn plated	
Housing	PA66, UL94V-0	
ELECTRICAL		
Standard	UL	IEC
Rated voltage	300V	450V
Rated current	20A	24A
Wire range	24-12AWG	2.5mm ²
Contact resistance	20mΩ	
Insulation resistance	500MΩ/DC500V	
Withstanding voltage	AC2000V/1Min	
MECHANICAL		
Temp. range	-40°C~+105°C	
Max. soldering	+250°C 5 Sec	
Torque	4.08kgf-cm/0.4Nm/3.54Lbin	
Strip length	12-13mm	

MATERIAL		
Screws	M2.5 Steel Zn plated	
Cage	Steel, Zn plated	
Pin header	Brass, Sn plated	
Slide block	Steel, Zn plated	
Housing	PA66, UL94V-0	
ELECTRICAL		
Standard	UL	IEC
Rated voltage	300V	450V
Rated current	20A	24A
Wire range	24-12AWG	2.5mm ²
Contact resistance	20mΩ	
Insulation resistance	500MΩ/DC500V	
Withstanding voltage	AC2000V/1Min	
MECHANICAL		
Temp. range	-40°C~+105°C	
Max. soldering	+250°C 5 Sec	
Torque	4.08kgf-cm/0.4Nm/3.54Lbin	
Strip length	12-13mm	

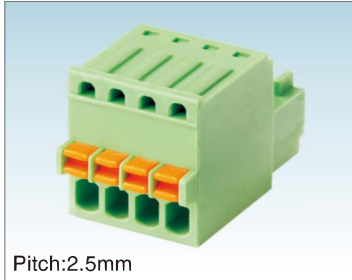




PLUG-IN TERMINAL BLOCK

Plug-in terminal blocks, provide the wire size from 0.08mm^2 to 10mm^2 . Available with different pitches from 2.54mm to 15.24mm. Choosing insert direction, contact direction, Plug-in direction according to requests. The product is designed in accordance with IEC 60998, UL1059, CSA C22.2 NO.158 standards.

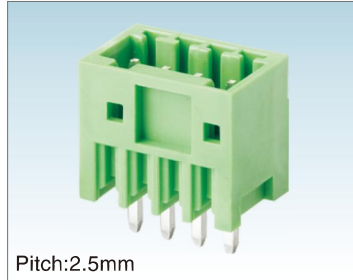
www.RelianceNorthAmerica.com



Pitch:2.5mm

MODEL: WJ15EDGKD-2.5

CERTIFICATION	
---------------	--



Pitch:2.5mm

MODEL: WJ15EDGVC-2.5

CERTIFICATION	
---------------	--



Pitch:2.5mm

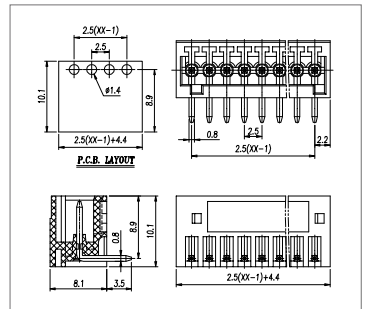
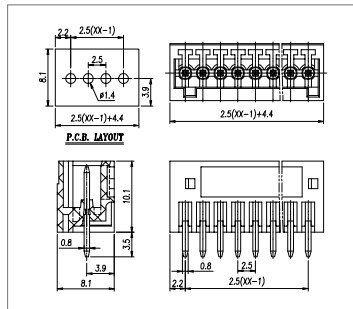
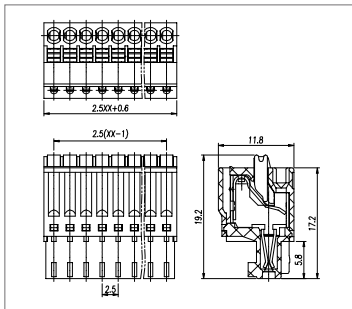
MODEL: WJ15EDGRC-2.5

CERTIFICATION	
---------------	--

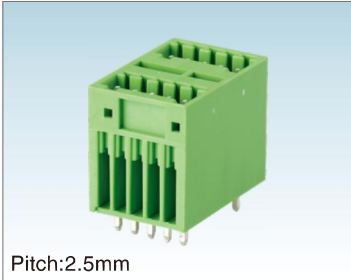
MATERIAL	Phosphor bronze, Ni plated	
Clamp	Stainless Steel	
Shrapnel	PA66, UL94V-0	
Housing		
ELECTRICAL	UL	IEC
Standard	150V	130V
Rated voltage	5A	6A
Rated current	26-20AWG	0.5mm ²
Wire range	20m Ω	
Contact resistance	500M Ω/DC500V	
Insulation resistance	AC1500V/1Min	
Withstanding voltage		
MECHANICAL	-40°C~+120°C	
Temp. range	7~8mm	
Strip length		

MATERIAL	Brass, Sn plated	
Pin header	PA66, UL94V-0	
Housing		
ELECTRICAL	UL	IEC
Standard	150V	130V
Rated voltage	5A	6A
Rated current	20m Ω	
Contact resistance	500M Ω/DC500V	
Insulation resistance	AC1500V/1Min	
Withstanding voltage		
MECHANICAL	-40°C~+105°C	
Temp. range	+250°C for 5 Sec	
Max. soldering		

MATERIAL	Brass, Sn plated	
Pin header	PA66, UL94V-0	
Housing		
ELECTRICAL	UL	IEC
Standard	150V	130V
Rated voltage	5A	6A
Rated current	20m Ω	
Contact resistance	500M Ω/DC500V	
Insulation resistance	AC1500V/1Min	
Withstanding voltage		
MECHANICAL	-40°C~+105°C	
Temp. range	+250°C for 5 Sec	
Max. soldering		



PLUG-IN TERMINAL BLOCK



Pitch:2.5mm

MODEL: WJ15EDGVH-2.5

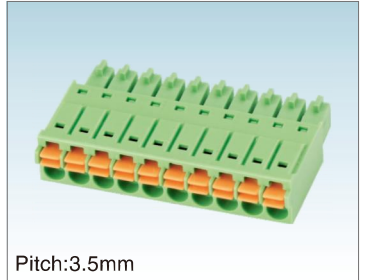
CERTIFICATION	
---------------	--



Pitch:2.5mm

MODEL: WJ15EDGRH-2.5

CERTIFICATION	
---------------	--



Pitch:3.5mm

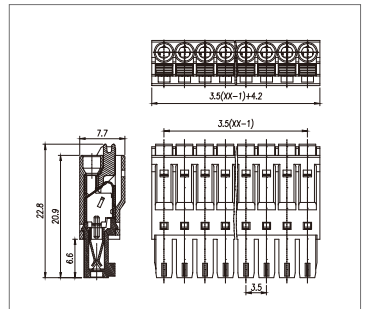
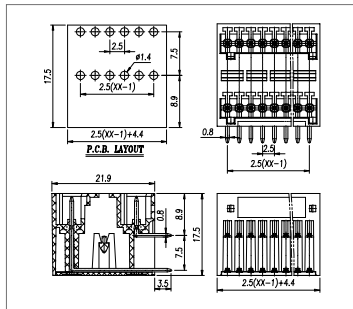
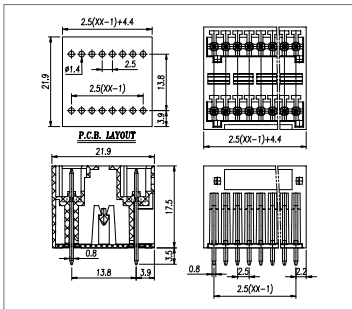
MODEL: WJ15EDGKN-3.5

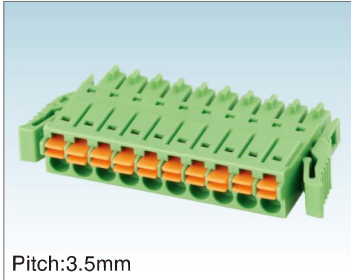
CERTIFICATION	
---------------	--

MATERIAL		
Pin header	Brass, Sn plated	
Housing	PA66, UL94V-0	
ELECTRICAL		
Standard	UL	IEC
Rated voltage	150V	130V
Rated current	5A	6A
Contact resistance	20m Ω	
Insulation resistance	500M Ω/DC500V	
Withstanding voltage	AC1500V/1Min	
MECHANICAL		
Temp. range	-40°C~+105°C	
Max. soldering	+250°C for 5 Sec	

MATERIAL		
Pin header	Brass, Sn plated	
Housing	PA66, UL94V-0	
ELECTRICAL		
Standard	UL	IEC
Rated voltage	150V	130V
Rated current	5A	6A
Contact resistance	20m Ω	
Insulation resistance	500M Ω/DC500V	
Withstanding voltage	AC1500V/1Min	
MECHANICAL		
Temp. range	-40°C~+105°C	
Max. soldering	+250°C for 5 Sec	

MATERIAL		
Clamp	Phosphor bronze, Ni plated.	
Shrapnel	Stainless steel	
Housing	PA66, UL94V-0	
ELECTRICAL		
Standard	UL	IEC
Rated voltage	300V	250V
Rated current	8A	10A
Wire range	24-16AWG	1.0mm ²
Contact resistance	20m Ω	
Insulation resistance	500M Ω/DC500V	
Withstanding voltage	AC2000V/1Min	
MECHANICAL		
Temp. range	-40°C~+105°C	
Strip length	9-10mm	

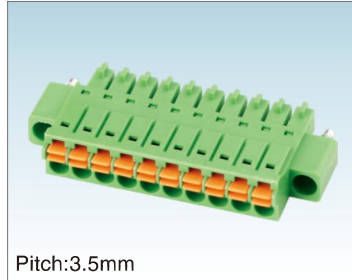




Pitch:3.5mm

MODEL: WJ15EDGKNG-3.5

CERTIFICATION	
---------------	--



Pitch:3.5mm

MODEL: WJ15EDGKNM-3.5

CERTIFICATION	
---------------	--



Pitch:3.5mm

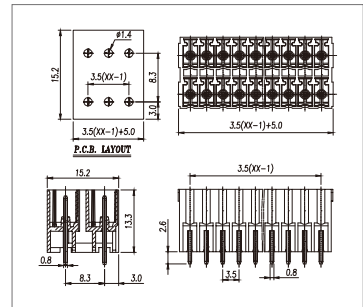
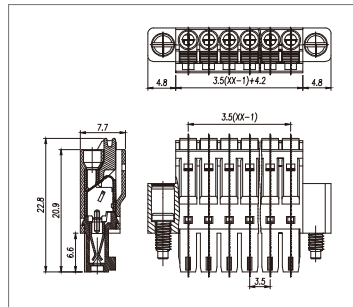
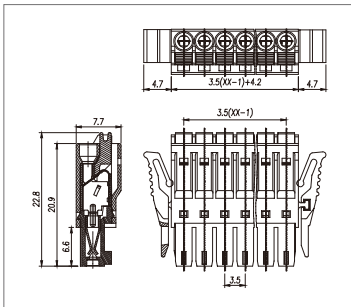
MODEL: WJ15EDGVHB-THT-3.5

CERTIFICATION	
---------------	--

MATERIAL	Phosphor bronze, Ni plated	
Clamp	Stainless steel	
Shrapnel	PA66, UL94V-0	
Housing		
ELECTRICAL		
Standard	UL	IEC
Rated voltage	300V	250V
Rated current	8A	10A
Wire range	24-16AWG	1.0mm ²
Contact resistance	20mΩ	
Insulation resistance	500MΩ/DC500V	
Withstanding voltage	AC2000V/1Min	
MECHANICAL		
Temp. range	-40°C~+105°C	
Strip length	9-10mm	

MATERIAL	Phosphor bronze, Ni plated	
Clamp	Stainless steel	
Shrapnel	PA66, UL94V-0	
Housing		
ELECTRICAL		
Standard	UL	IEC
Rated voltage	300V	250V
Rated current	8A	10A
Wire range	24-16AWG	1.0mm ²
Contact resistance	20mΩ	
Insulation resistance	500MΩ/DC500V	
Withstanding voltage	AC2000V/1Min	
MECHANICAL		
Temp. range	-40°C~+105°C	
Strip length	9-10mm	

MATERIAL	M2.5, Brass	
Nut	Brass, Sn plated	
Pin header	LCP, UL94V-0	
Housing		
ELECTRICAL		
Standard	UL	IEC
Rated voltage	300V	250V
Rated current	8A	10A
Contact resistance	20mΩ	
Insulation resistance	500MΩ/DC500V	
Withstanding voltage	AC2000V/1Min	
MECHANICAL		
Temp. range	-40°C~+130°C	
Max Soldering	+285°C for 10 Sec	



PLUG-IN TERMINAL BLOCK



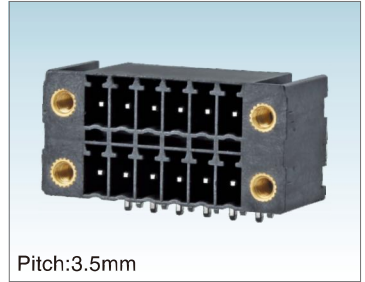
Pitch:3.5mm

MODEL: WJ15EDGRHB-THT-3.5



Pitch:3.5mm

MODEL: WJ15EDGVHBM-THT-3.5



Pitch:3.5mm

MODEL: WJ15EDGRHBM-THT-3.5

CERTIFICATION	
---------------	--

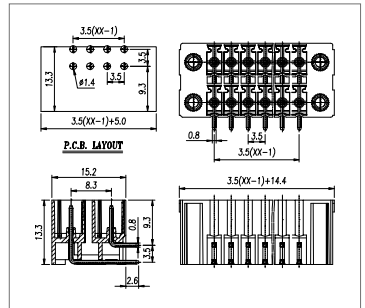
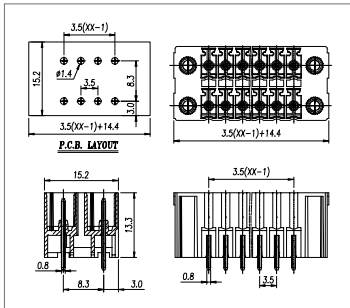
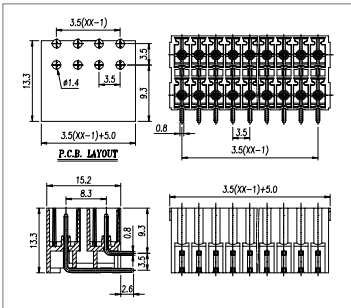
CERTIFICATION	
---------------	--

CERTIFICATION	
---------------	--

MATERIAL		
Nut	M2.5, Brass	
Pin header	Brass, Sn plated	
Housing	LCP, UL94V-0	
ELECTRICAL		
Standard	UL	IEC
Rated voltage	300V	250V
Rated current	8A	10A
Contact resistance	20m Ω	
Insulation resistance	500M Ω/DC500V	
Withstanding voltage	AC2000V/1Min	
MECHANICAL		
Temp. range	-40°C~+130°C	
Max Soldering	+285°C for 10 Sec	

MATERIAL		
Nut	M2.5, Brass	
Pin header	Brass, Sn plated	
Housing	LCP, UL94V-0	
ELECTRICAL		
Standard	UL	IEC
Rated voltage	300V	250V
Rated current	8A	10A
Contact resistance	20m Ω	
Insulation resistance	500M Ω/DC500V	
Withstanding voltage	AC2000V/1Min	
MECHANICAL		
Temp. range	-40°C~+130°C	
Max Soldering	+285°C for 10 Sec	

MATERIAL		
Nut	M2.5, Brass	
Pin header	Brass, Sn plated	
Housing	LCP, UL94V-0	
ELECTRICAL		
Standard	UL	IEC
Rated voltage	300V	250V
Rated current	8A	10A
Contact resistance	20m Ω	
Insulation resistance	500M Ω/DC500V	
Withstanding voltage	AC2000V/1Min	
MECHANICAL		
Temp. range	-40°C~+130°C	
Max Soldering	+285°C for 10 Sec	





Pitch:3.5mm

MODEL: WJ15EDGVHBN-THT-3.5

CERTIFICATION	
---------------	--



Pitch:3.5mm

MODEL: WJ15EDGRHBN-THT-3.5

CERTIFICATION	
---------------	--



Pitch:3.5/3.81mm

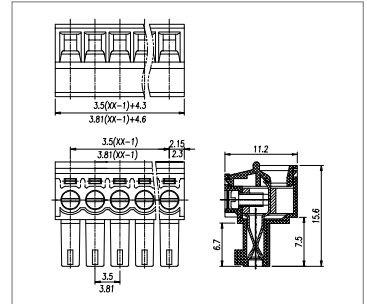
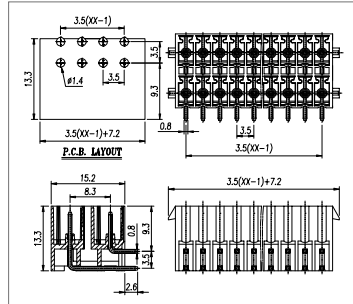
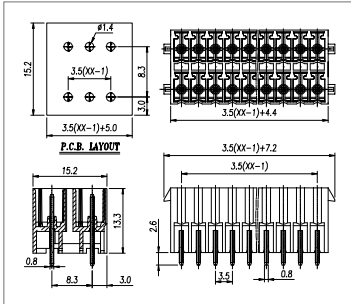
MODEL: WJ15EDGK

CERTIFICATION	
---------------	--

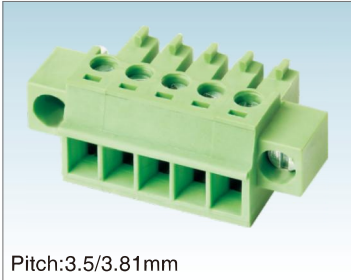
MATERIAL		
Nut	M2.5, Brass	
Pin header	Brass, Sn plated	
Housing	LCP, UL94V-0	
ELECTRICAL		
Standard	UL	IEC
Rated voltage	300V	250V
Rated current	8A	10A
Contact resistance	20m Ω	
Insulation resistance	500M Ω/DC500V	
Withstanding voltage	AC2000V/1Min	
MECHANICAL		
Temp. range	-40°C~+130°C	
Max Soldering	+285°C for 10 Sec	

MATERIAL		
Nut	M2.5, Brass	
Pin header	Brass, Sn plated	
Housing	LCP, UL94V-0	
ELECTRICAL		
Standard	UL	IEC
Rated voltage	300V	250V
Rated current	8A	10A
Contact resistance	20m Ω	
Insulation resistance	500M Ω/DC500V	
Withstanding voltage	AC2000V/1Min	
MECHANICAL		
Temp. range	-40°C~+130°C	
Max Soldering	+285°C for 10 Sec	

MATERIAL		
Screws	M2.0 Steel Zn plated	
Clamp	Phosphor bronze, Ni plated	
Cage	Brass, Ni plated	
Housing	PA66, UL94V-0	
ELECTRICAL		
Standard	UL	IEC
Rated voltage	300V	250V
Rated current	8A	7A
Wire range	28~16AWG	1.5mm ²
Contact resistance	20m Ω	
Insulation resistance	500M Ω/DC500V	
Withstanding voltage	AC2000V/1Min	
MECHANICAL		
Temp. range	-40°C~+105°C	
Max. soldering	+250°C for 5 Sec	
Torque	2.04kgf-cm/0.2Nm/1.77Lbin	
Strip length	6~7mm	

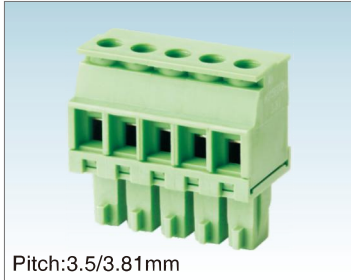
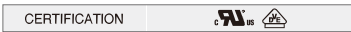


PLUG-IN TERMINAL BLOCK



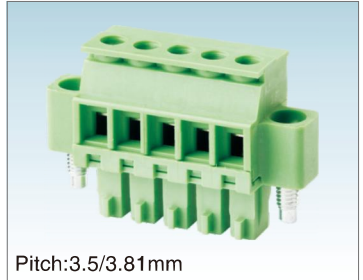
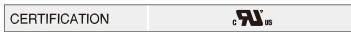
Pitch:3.5/3.81mm

MODEL: WJ15EDGKM



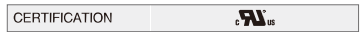
Pitch:3.5/3.81mm

MODEL: WJ15EDGKA



Pitch:3.5/3.81mm

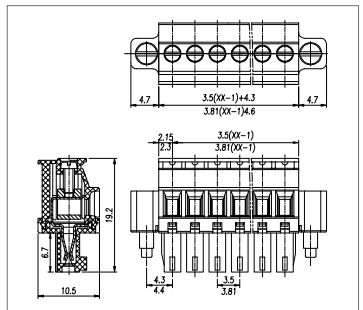
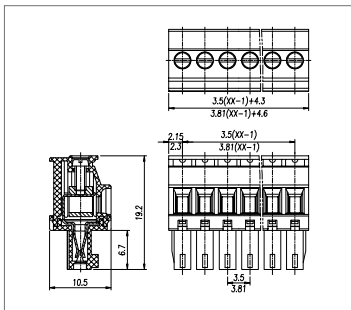
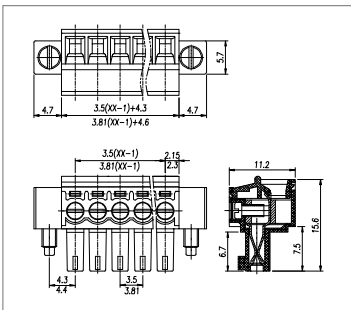
MODEL: WJ15EDGKAM



MATERIAL		
Screws	M2.0 Steel Zn plated	
Clamp	Phosphor bronze, Ni plated	
Cage	Brass, Ni plated	
Housing	PA66, UL94V-0	
ELECTRICAL		
Standard	UL	IEC
Rated voltage	300V	250V
Rated current	8A	7A
Wire range	28~16AWG	1.5mm ²
Contact resistance	20mΩ	
Insulation resistance	500MΩ/DC500V	
Withstanding voltage	AC2000V/1Min	
MECHANICAL		
Temp. range	-40°C~+105°C	
Max. soldering	+250°C for 5 Sec	
Torque	2.04kgf-cm/0.2Nm/1.77Lbin	
Strip length	6~7mm	

MATERIAL		
Screws	M2.0 Steel Zn plated	
Clamp	Phosphor bronze, Ni plated	
Cage	Brass, Ni plated	
Housing	PA66, UL94V-0	
ELECTRICAL		
Standard	UL	IEC
Rated voltage	300V	250V
Rated current	8A	7A
Wire range	28~16AWG	1.5mm ²
Contact resistance	20mΩ	
Insulation resistance	500MΩ/DC500V	
Withstanding voltage	AC2000V/1Min	
MECHANICAL		
Temp. range	-40°C~+105°C	
Max. soldering	+250°C for 5 Sec	
Torque	2.04kgf-cm/0.2Nm/1.77Lbin	
Strip length	6~7mm	

MATERIAL		
Screws	M2.0 Steel Zn plated	
Clamp	Phosphor bronze, Ni plated	
Cage	Brass, Ni plated	
Housing	PA66, UL94V-0	
ELECTRICAL		
Standard	UL	IEC
Rated voltage	300V	250V
Rated current	8A	7A
Wire range	28~16AWG	1.5mm ²
Contact resistance	20mΩ	
Insulation resistance	500MΩ/DC500V	
Withstanding voltage	AC2000V/1Min	
MECHANICAL		
Temp. range	-40°C~+105°C	
Max. soldering	+250°C for 5 Sec	
Torque	2.04kgf-cm/0.2Nm/1.77Lbin	
Strip length	6~7mm	

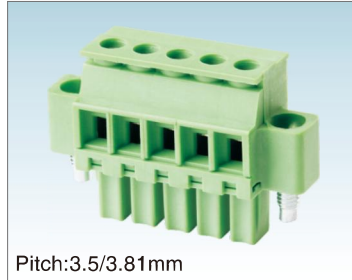




Pitch:3.5/3.81mm

MODEL: WJ15EDGKB

CERTIFICATION	
---------------	--



Pitch:3.5/3.81mm

MODEL: WJ15EDGKBM

CERTIFICATION	
---------------	--



Pitch:3.81mm

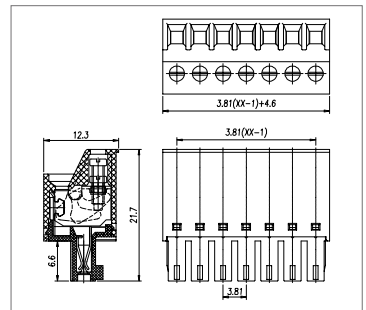
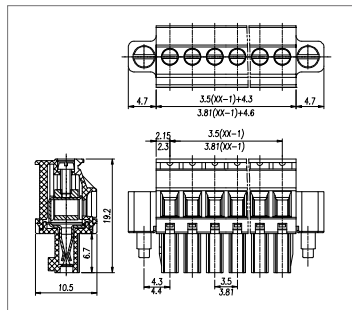
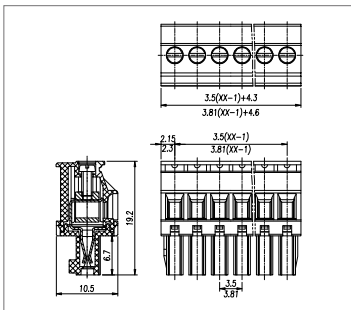
MODEL: WJ15EDGKC-3.81

CERTIFICATION	
---------------	--

MATERIAL		
Screws	M2.0 Steel Zn plated	
Clamp	Phosphor bronze, Ni plated	
Cage	Brass, Ni plated	
Housing	PA66, UL94V-0	
ELECTRICAL		
Standard	UL	IEC
Rated voltage	300V	250V
Rated current	8A	7A
Wire range	28~16AWG	1.5mm ²
Contact resistance	20mΩ	
Insulation resistance	500MΩ/DC500V	
Withstanding voltage	AC2000V/1Min	
MECHANICAL		
Temp. range	-40°C~+105°C	
Max. soldering	+250°C for 5 Sec	
Torque	2.04kgf-cm/0.2Nm/1.77Lbin	
Strip length	6~7mm	

MATERIAL		
Screws	M2.0 Steel Zn plated	
Clamp	Phosphor bronze, Ni plated	
Cage	Brass, Ni plated	
Housing	PA66, UL94V-0	
ELECTRICAL		
Standard	UL	IEC
Rated voltage	300V	250V
Rated current	8A	7A
Wire range	28~16AWG	1.5mm ²
Contact resistance	20mΩ	
Insulation resistance	500MΩ/DC500V	
Withstanding voltage	AC2000V/1Min	
MECHANICAL		
Temp. range	-40°C~+105°C	
Max. soldering	+250°C for 5 Sec	
Torque	2.04kgf-cm/0.2Nm/1.77Lbin	
Strip length	6~7mm	

MATERIAL		
Screws	M2.0 Steel Zn plated	
Clamp	Phosphor bronze, Ni plated	
Cage	Brass, Ni plated	
Slit block	Steel Zn plated	
Housing	PA66, UL94V-0	
ELECTRICAL		
Standard	UL	IEC
Rated voltage	300V	250V
Rated current	8A	7A
Wire range	28~16AWG	1.5mm ²
Contact resistance	20mΩ	
Insulation resistance	500MΩ/DC500V	
Withstanding voltage	AC2000V/1Min	
MECHANICAL		
Temp. range	-40°C~+105°C	
Max. soldering	+250°C for 5 Sec	
Torque	2.04kgf-cm/0.2Nm/1.77Lbin	
Strip length	6~7mm	





Pitch:3.81mm

MODEL: WJ15EDGKCM-3.81

CERTIFICATION	
---------------	--



Pitch:3.5/3.81mm

MODEL: WJ15EDGKD-3.5/3.81

CERTIFICATION	
---------------	--



Pitch:3.5/3.81mm

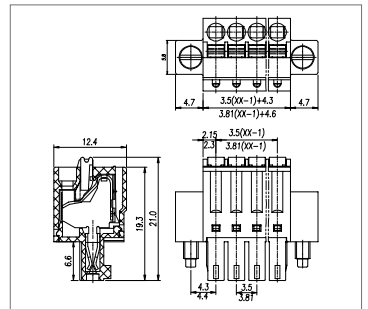
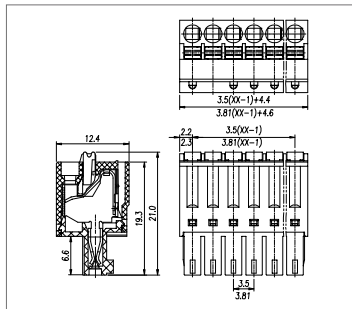
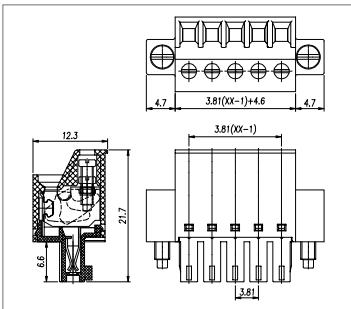
MODEL: WJ15EDGKDM-3.5/3.81

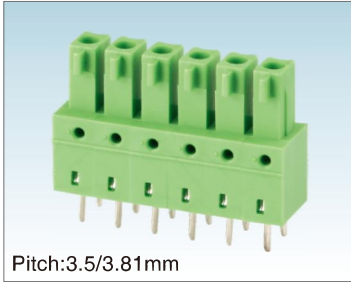
CERTIFICATION	
---------------	--

MATERIAL		
Screws	M2.0 Steel Zn plated	
Clamp	Phosphor bronze, Ni plated	
Cage	Brass, Ni plated	
Slide block	Steel Zn plated	
Housing	PA66, UL94V-0	
ELECTRICAL		
Standard	UL	IEC
Rated voltage	300V	250V
Rated current	8A	7A
Wire range	28-16AWG	1.5mm ²
Contact resistance	20mΩ	
Insulation resistance	500MΩ/DC500V	
Withstanding voltage	AC2000V/1Min	
MECHANICAL		
Temp. range	-40°C~+105°C	
Max. soldering	+250°C for 5 Sec	
Torque	2.04kgf-cm/0.2Nm/1.77Lbin	
Strip length	6~7mm	

MATERIAL		
Clamp	Phosphor bronze, Ni plated	
Shrapnel	Stainless steel	
Housing	PA66, UL94V-0	
ELECTRICAL		
Standard	UL	IEC
Rated voltage	300V	250V
Rated current	8A	7A
Wire range	28-16AWG	1.5mm ²
Contact resistance	20mΩ	
Insulation resistance	500MΩ/DC500V	
Withstanding voltage	AC2000V/1Min	
MECHANICAL		
Temp. range	-40°C~+105°C	
Strip length	6~7mm	

MATERIAL		
Clamp	Phosphor bronze, Ni plated	
Shrapnel	Stainless steel	
Housing	PA66, UL94V-0	
ELECTRICAL		
Standard	UL	IEC
Rated voltage	300V	250V
Rated current	8A	7A
Wire range	28-16AWG	1.5mm ²
Contact resistance	20mΩ	
Insulation resistance	500MΩ/DC500V	
Withstanding voltage	AC2000V/1Min	
MECHANICAL		
Temp. range	-40°C~+105°C	
Strip length	6~7mm	

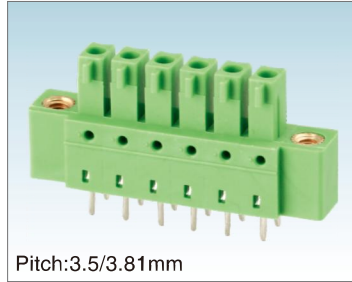




Pitch:3.5/3.81mm

MODEL: WJ15EDGB-3.5/3.81

CERTIFICATION	
---------------	--



Pitch:3.5/3.81mm

MODEL: WJ15EDGBM-3.5/3.81

CERTIFICATION	
---------------	--



Pitch:3.5/3.81mm

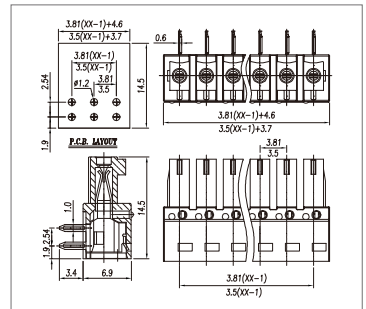
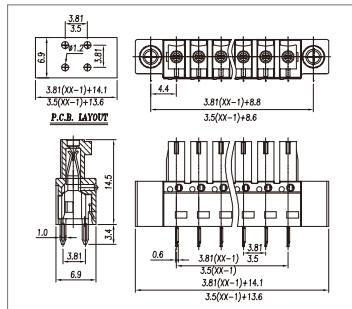
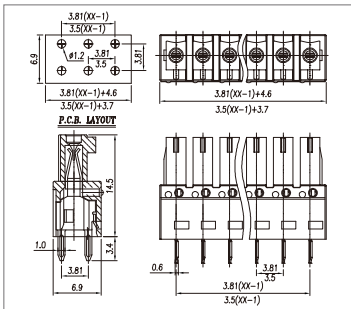
MODEL: WJ15EDGA-3.5/3.81

CERTIFICATION	
---------------	--

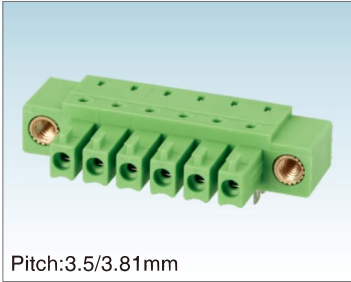
MATERIAL	Pin header Housing		Phosphor bronze, Sn plated PA66, UL94V-0
ELECTRICAL	Standard	UL	IEC
Rated voltage	300V		250V
Rated current	8A		10A
Contact resistance	20m Ω		
Insulation resistance	500M Ω/DC500V		
Withstanding voltage	AC2000V/1Min		
MECHANICAL	Temp. range		
Max. soldering	-40°C~+105°C +250°C for 5 Sec		

MATERIAL	Nut Pin header Housing		M2.5.Brass Phosphor bronze, Sn plated PA66, UL94V-0
ELECTRICAL	Standard	UL	IEC
Rated voltage	300V		250V
Rated current	8A		10A
Contact resistance	20m Ω		
Insulation resistance	500M Ω/DC500V		
Withstanding voltage	AC2000V/1Min		
MECHANICAL	Temp. range		
Max. soldering	-40°C~+105°C +250°C for 5 Sec		

MATERIAL	Pin header Housing		Phosphor bronze, Sn plated PA66, UL94V-0
ELECTRICAL	Standard	UL	IEC
Rated voltage	300V		250V
Rated current	8A		10A
Contact resistance	20m Ω		
Insulation resistance	500M Ω/DC500V		
Withstanding voltage	AC2000V/1Min		
MECHANICAL	Temp. range		
Max. soldering	-40°C~+105°C +250°C for 5 Sec		

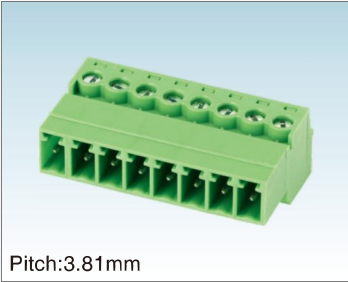


PLUG-IN TERMINAL BLOCK



Pitch:3.5/3.81mm

MODEL: WJ15EDGAM-3.81



Pitch:3.81mm

MODEL: WJ15EDGKR-3.81



Pitch:3.81mm

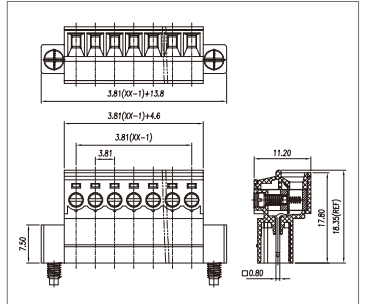
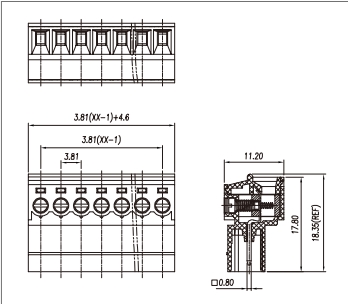
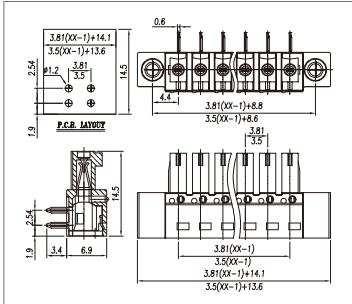
MODEL: WJ15EDGKRM-3.81

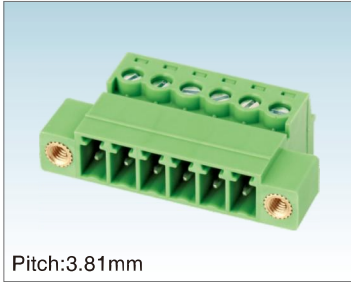


MATERIAL		
Nut	M2.5, Brass	
Pin header	Phosphor bronze, Sn plated	
Housing	PA66, UL94V-0	
ELECTRICAL		
Standard	UL	IEC
Rated voltage	300V	250V
Rated current	8A	10A
Contact resistance	20mΩ	
Insulation resistance	500MΩ/DC500V	
Withstanding voltage	AC2000V/1Min	
MECHANICAL		
Temp. range	-40°C~+105°C	
Max. soldering	+250°C for 5 Sec	

MATERIAL		
Screws	M2.0 Steel Zn plated	
Conductor	Brass, Sn plated	
Cage	Brass, Ni plated	
Housing	PA66, UL94V-0	
ELECTRICAL		
Standard	UL	IEC
Rated voltage	300V	250V
Rated current	8A	10A
Wire range	28~16AWG	1.5mm ²
Contact resistance	20mΩ	
Insulation resistance	500MΩ/DC500V	
Withstanding voltage	AC2000V/1Min	
MECHANICAL		
Temp. range	-40°C~+105°C	
Max. soldering	+250°C for 5 Sec	
Torque	2.04kgf-cm/0.2Nm/1.77Lbin	
Strip length	7~8mm	

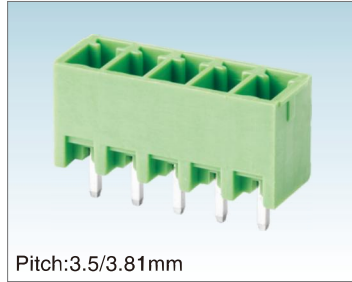
MATERIAL		
Screws	M2.0 Steel Zn plated	
Conductor	Brass, Sn plated	
Cage	Brass, Ni plated	
Housing	PA66, UL94V-0	
ELECTRICAL		
Standard	UL	IEC
Rated voltage	300V	250V
Rated current	8A	10A
Wire range	28~16AWG	1.5mm ²
Contact resistance	20mΩ	
Insulation resistance	500MΩ/DC500V	
Withstanding voltage	AC2000V/1Min	
MECHANICAL		
Temp. range	-40°C~+105°C	
Max. soldering	+250°C for 5 Sec	
Torque	2.04kgf-cm/0.2Nm/1.77Lbin	
Strip length	7~8mm	





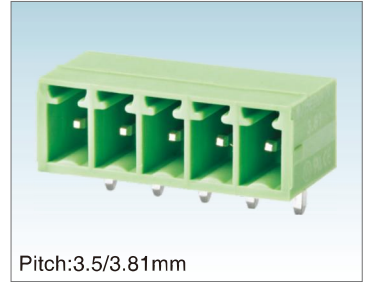
Pitch:3.81mm

MODEL: WJ15EDGKRN-3.81



Pitch:3.5/3.81mm

MODEL: WJ15EDGVC



Pitch:3.5/3.81mm

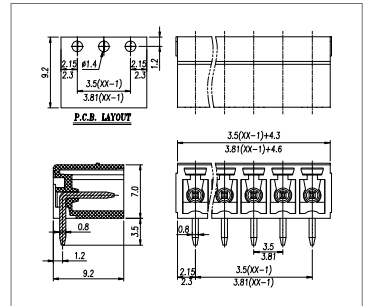
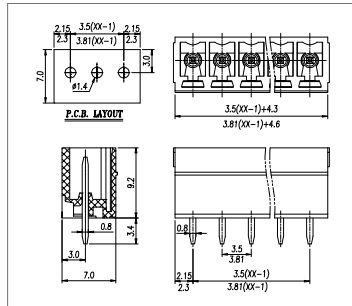
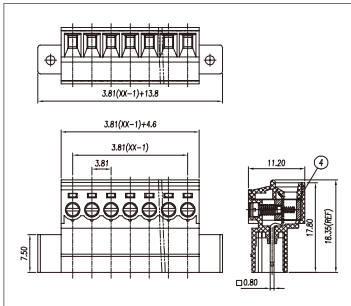
MODEL: WJ15EDGRC

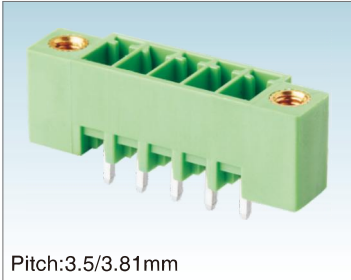


MATERIAL	
Nut	M2.5, Brass
Screws	M2.0 Steel Zn plated
Conductor	Brass, Sn plated
Cage	Brass, Ni plated
Housing	PA66, UL94V-0
ELECTRICAL	
Standard	UL IEC
Rated voltage	300V 250V
Rated current	8A 10A
Wire range	28-16AWG 1.5mm ²
Contact resistance	20mΩ
Insulation resistance	500MΩ/DC500V
Withstanding voltage	AC2000V/1Min
MECHANICAL	
Temp. range	-40°C~+105°C
Max. soldering	+250°C for 5 Sec
Torque	2.04kgf-cm/0.2Nm/1.77Lbin
Strip length	7-8mm

MATERIAL	
Pin header	Brass, Sn plated
Housing	PA66, UL94V-0
ELECTRICAL	
Standard	UL IEC
Rated voltage	300V 250V
Rated current	8A 7A
Contact resistance	20mΩ
Insulation resistance	500MΩ/DC500V
Withstanding voltage	AC2000V/1Min
MECHANICAL	
Temp. range	-40°C~+105°C
Max. soldering	+250°C for 5 Sec

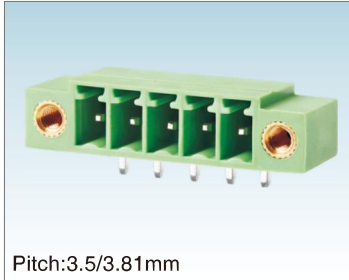
MATERIAL	
Pin header	Brass, Sn plated
Housing	PA66, UL94V-0
ELECTRICAL	
Standard	UL IEC
Rated voltage	300V 250V
Rated current	8A 7A
Contact resistance	20mΩ
Insulation resistance	500MΩ/DC500V
Withstanding voltage	AC2000V/1Min
MECHANICAL	
Temp. range	-40°C~+105°C
Max. soldering	+250°C for 5 Sec





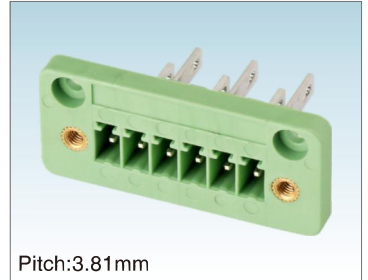
Pitch:3.5/3.81mm

MODEL: WJ15EDGVM



Pitch:3.5/3.81mm

MODEL: WJ15EDGRM



Pitch:3.81mm

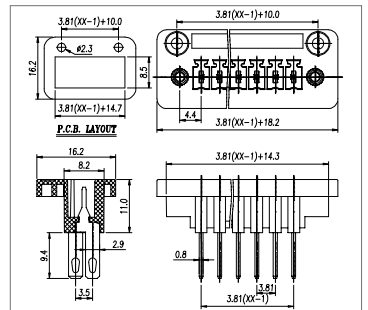
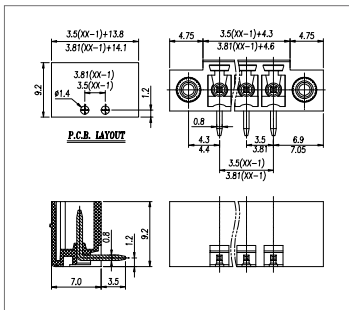
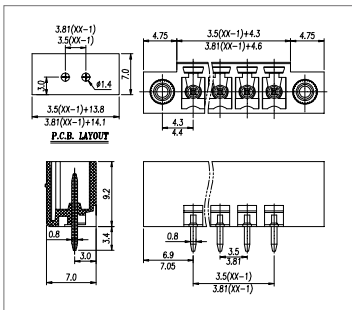
MODEL: WJ15CDGM-3.81

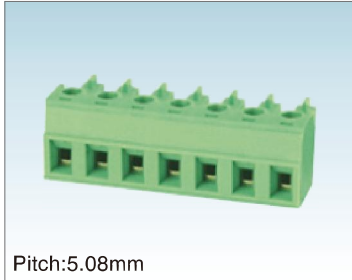


MATERIAL		
Nut	M2.5, Brass	
Pin header	Brass, Sn plated	
Housing	PA66, UL94V-0	
ELECTRICAL		
Standard	UL	IEC
Rated voltage	300V	250V
Rated current	8A	7A
Contact resistance	20mΩ	
Insulation resistance	500MΩ/DC500V	
Withstanding voltage	AC2000V/1Min	
MECHANICAL		
Temp. range	-40°C~+105°C	
Max. soldering	+250°C for 5 Sec	

MATERIAL		
Nut	M2.5, Brass	
Pin header	Brass, Sn plated	
Housing	PA66, UL94V-0	
ELECTRICAL		
Standard	UL	IEC
Rated voltage	300V	250V
Rated current	8A	7A
Contact resistance	20mΩ	
Insulation resistance	500MΩ/DC500V	
Withstanding voltage	AC2000V/1Min	
MECHANICAL		
Temp. range	-40°C~+105°C	
Max. soldering	+250°C for 5 Sec	

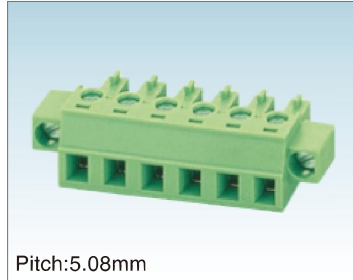
MATERIAL		
Nut	M2.5, Brass	
Pin header	Brass, Sn plated	
Housing	PA66, UL94V-0	
ELECTRICAL		
Standard	UL	IEC
Rated voltage	300V	250V
Rated current	8A	7A
Contact resistance	20mΩ	
Insulation resistance	500MΩ/DC500V	
Withstanding voltage	AC2000V/1Min	
MECHANICAL		
Temp. range	-40°C~+105°C	
Max. soldering	+250°C for 5 Sec	





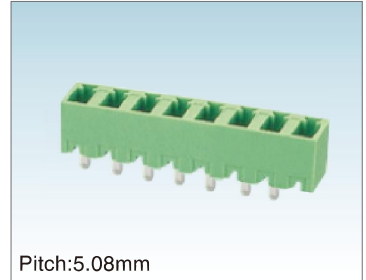
Pitch:5.08mm

WJ15EDGK-5.08



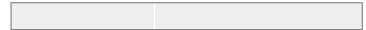
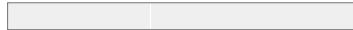
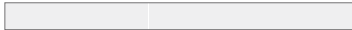
Pitch:5.08mm

WJ15EDGKM-5.08



Pitch:5.08mm

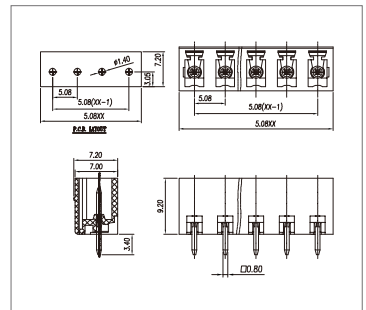
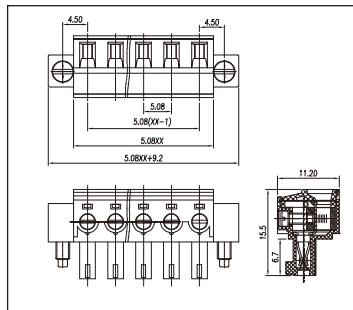
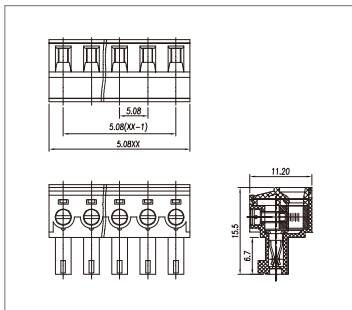
WJ15EDGVC-5.08

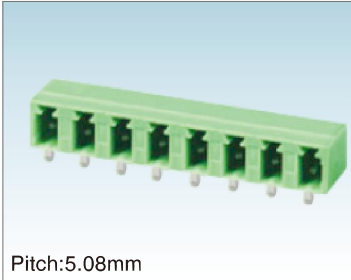


MATERIAL		
Screws	M2.0 Steel Zn plated	
Clamp	Phosphor bronze, Ni plated	
Cage	Brass, Ni plated	
Housing	PA66, UL94V-0	
ELECTRICAL		
Standard	UL	IEC
Rated voltage	300V	250V
Rated current	8A	7A
Wire range	28~16AWG	1.5mm ²
Contact resistance	20mΩ	
Insulation resistance	500MΩ/DC500V	
Withstanding voltage	AC2000V/1Min	
MECHANICAL		
Temp. range	-40°C~+105°C	
Max. soldering	+250°C for 5 Sec	
Torque	2.04kgf-cm/0.2Nm/1.77Lbin	
Strip length	6~7mm	

MATERIAL		
Screws	M2.0 Steel Zn plated	
Clamp	Phosphor bronze, Ni plated	
Cage	Brass, Ni plated	
Housing	PA66, UL94V-0	
ELECTRICAL		
Standard	UL	IEC
Rated voltage	300V	250V
Rated current	8A	7A
Wire range	28~16AWG	1.5mm ²
Contact resistance	20mΩ	
Insulation resistance	500MΩ/DC500V	
Withstanding voltage	AC2000V/1Min	
MECHANICAL		
Temp. range	-40°C~+105°C	
Max. soldering	+250°C for 5 Sec	
Torque	2.04kgf-cm/0.2Nm/1.77Lbin	
Strip length	6~7mm	

MATERIAL		
Pin header	Brass, Sn plated	
Housing	PA66, UL94V-0	
ELECTRICAL		
Standard	UL	IEC
Rated voltage	300V	250V
Rated current	8A	7A
Contact resistance	20mΩ	
Insulation resistance	500MΩ/DC500V	
Withstanding voltage	AC2000V/1Min	
MECHANICAL		
Temp. range	-40°C~+105°C	
Max. soldering	+250°C for 5 Sec	

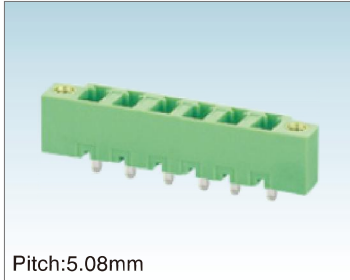




Pitch:5.08mm

WJ15EDGRC-5.08

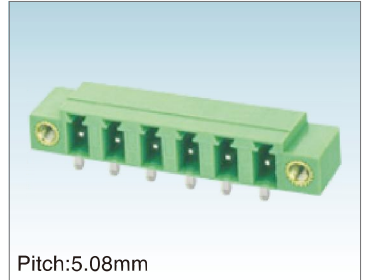
CERTIFICATION



Pitch:5.08mm

WJ15EDGVM-5.08

CERTIFICATION



Pitch:5.08mm

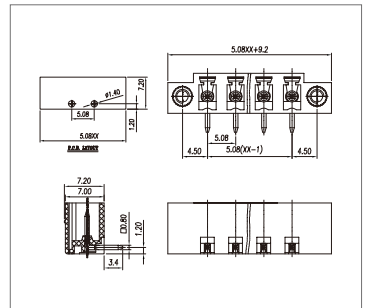
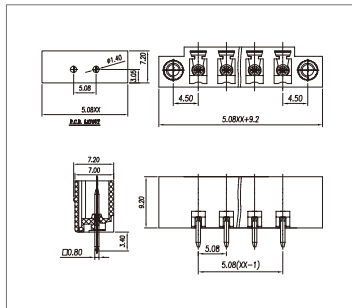
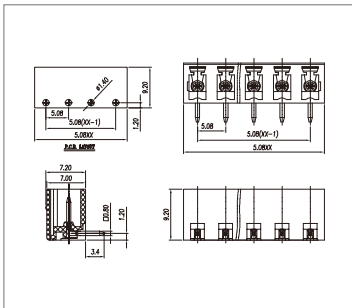
WJ15EDGRM-5.08

CERTIFICATION

MATERIAL		
Pin header	Brass, Sn plated	
Housing	PA66, UL94V-0	
ELECTRICAL		
Standard	UL	IEC
Rated voltage	300V	250V
Rated current	8A	7A
Contact resistance	20mΩ	
Insulation resistance	500MΩ/DC500V	
Withstanding voltage	AC2000V/1Min	
MECHANICAL		
Temp. range	-40°C~+105°C	
Max. soldering	+250°C for 5 Sec	

MATERIAL		
Nut	M2.5, Brass	
Pin header	Brass, Sn plated	
Housing	PA66, UL94V-0	
ELECTRICAL		
Standard	UL	IEC
Rated voltage	300V	250V
Rated current	8A	7A
Contact resistance	20mΩ	
Insulation resistance	500MΩ/DC500V	
Withstanding voltage	AC2000V/1Min	
MECHANICAL		
Temp. range	-40°C~+105°C	
Max. soldering	+250°C for 5 Sec	

MATERIAL		
Nut	M2.5, Brass	
Pin header	Brass, Sn plated	
Housing	PA66, UL94V-0	
ELECTRICAL		
Standard	UL	IEC
Rated voltage	300V	250V
Rated current	8A	7A
Contact resistance	20mΩ	
Insulation resistance	500MΩ/DC500V	
Withstanding voltage	AC2000V/1Min	
MECHANICAL		
Temp. range	-40°C~+105°C	
Max. soldering	+250°C for 5 Sec	

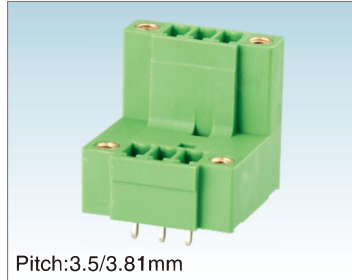




Pitch:3.5/3.81mm

MODEL: WJ15EDGVT

CERTIFICATION	
---------------	--



Pitch:3.5/3.81mm

MODEL: WJ15EDGVTM

CERTIFICATION	
---------------	--



Pitch:3.5/3.81mm

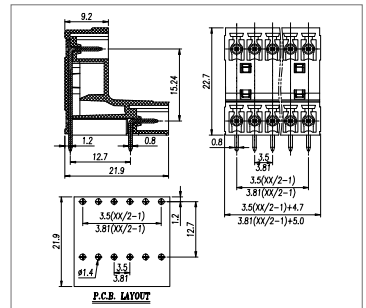
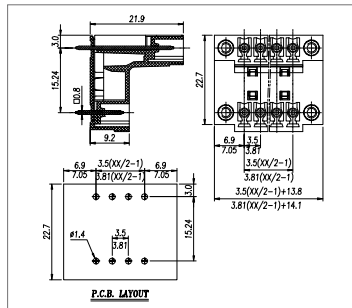
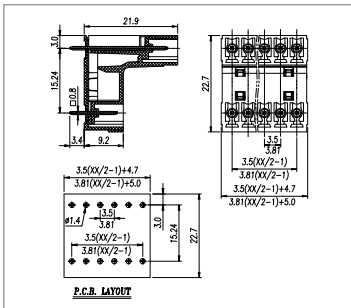
MODEL: WJ15EDGRT

CERTIFICATION	
---------------	--

MATERIAL		
Pin header	Brass, Sn plated	
Housing	PA66, UL94V-0	
ELECTRICAL		
Standard	UL	IEC
Rated voltage	300V	250V
Rated current	8A	7A
Contact resistance	20mΩ	
Insulation resistance	500MΩ/DC500V	
Withstanding voltage	AC2000V/1Min	
MECHANICAL		
Temp. range	-40°C~+105°C	
Max. soldering	+250°C for 5 Sec	

MATERIAL		
Nut	M2.5, Brass	
Pin header	Brass, Sn plated	
Housing	PA66, UL94V-0	
ELECTRICAL		
Standard	UL	IEC
Rated voltage	300V	250V
Rated current	8A	7A
Contact resistance	20mΩ	
Insulation resistance	500MΩ/DC500V	
Withstanding voltage	AC2000V/1Min	
MECHANICAL		
Temp. range	-40°C~+105°C	
Max. soldering	+250°C for 5 Sec	

MATERIAL		
Pin header	Brass, Sn plated	
Housing	PA66, UL94V-0	
ELECTRICAL		
Standard	UL	IEC
Rated voltage	300V	250V
Rated current	8A	7A
Contact resistance	20mΩ	
Insulation resistance	500MΩ/DC500V	
Withstanding voltage	AC2000V/1Min	
MECHANICAL		
Temp. range	-40°C~+105°C	
Max. soldering	+250°C for 5 Sec	



PLUG-IN TERMINAL BLOCK



Pitch:3.5/3.81mm

MODEL: WJ15EDGRTM

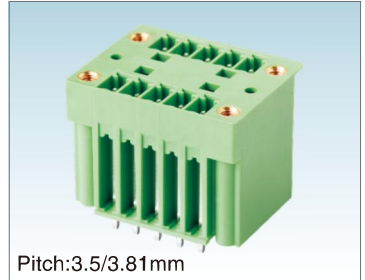
CERTIFICATION	
---------------	--



Pitch:3.5/3.81mm

MODEL: WJ15EDGVH

CERTIFICATION	
---------------	--



Pitch:3.5/3.81mm

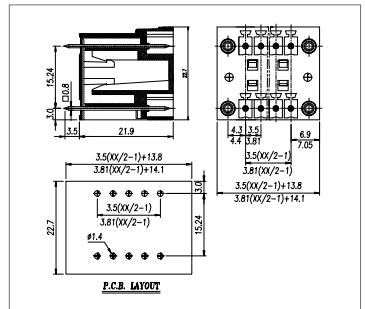
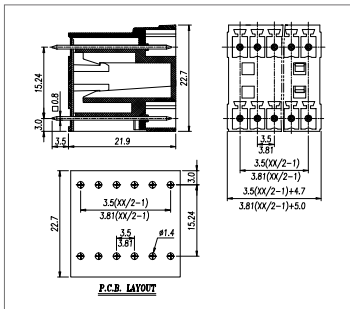
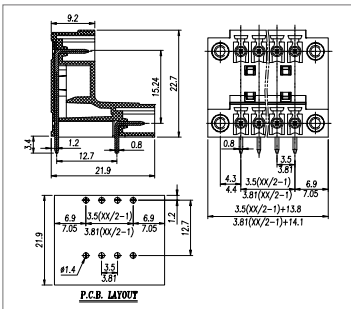
MODEL: WJ15EDGVHM

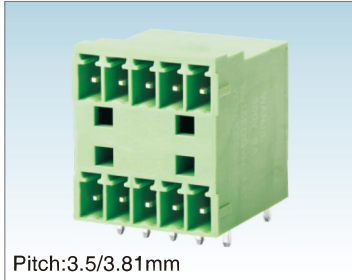
CERTIFICATION	
---------------	--

MATERIAL		
Nut	M2.5.Brass	
Pin header	Brass, Sn plated	
Housing	PA66, UL94V-0	
ELECTRICAL		
Standard	UL	IEC
Rated voltage	300V	250V
Rated current	8A	7A
Contact resistance	20m Ω	
Insulation resistance	500M Ω/DC500V	
Withstanding voltage	AC2000V/1Min	
MECHANICAL		
Temp. range	-40°C~+105°C	
Max. soldering	+250°C for 5 Sec	

MATERIAL		
Pin header	Brass, Sn plated	
Housing	PA66, UL94V-0	
ELECTRICAL		
Standard	UL	IEC
Rated voltage	300V	250V
Rated current	8A	7A
Contact resistance	20m Ω	
Insulation resistance	500M Ω/DC500V	
Withstanding voltage	AC2000V/1Min	
MECHANICAL		
Temp. range	-40°C~+105°C	
Max. soldering	+250°C for 5 Sec	

MATERIAL		
Nut	M2.5.Brass	
Pin header	Brass, Sn plated	
Housing	PA66, UL94V-0	
ELECTRICAL		
Standard	UL	IEC
Rated voltage	300V	250V
Rated current	8A	7A
Contact resistance	20m Ω	
Insulation resistance	500M Ω/DC500V	
Withstanding voltage	AC2000V/1Min	
MECHANICAL		
Temp. range	-40°C~+105°C	
Max. soldering	+250°C for 5 Sec	

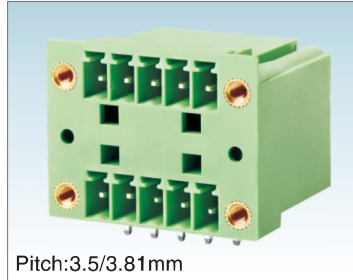




Pitch:3.5/3.81mm

MODEL: WJ15EDGRH

CERTIFICATION	
---------------	--



Pitch:3.5/3.81mm

MODEL: WJ15EDGRHM

CERTIFICATION	
---------------	--



Pitch:5.0/5.08mm

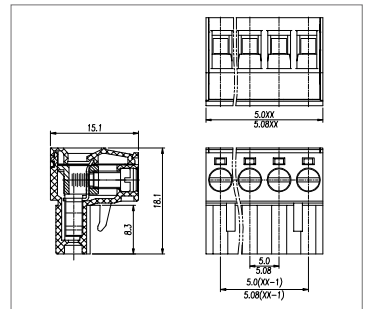
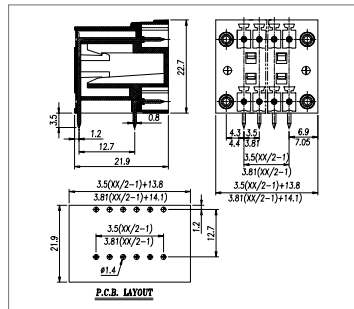
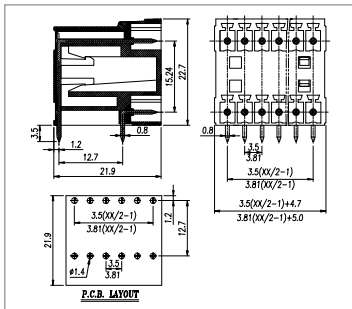
MODEL: WJ2EDGK-5.0/5.08

CERTIFICATION	
---------------	--

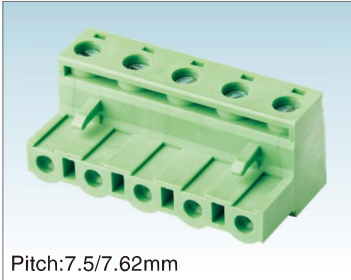
MATERIAL		
Pin header	Brass, Sn plated	
Housing	PA66, UL94V-0	
ELECTRICAL		
Standard	UL	IEC
Rated voltage	300V	250V
Rated current	8A	7A
Contact resistance	20m Ω	
Insulation resistance	500M Ω/DC500V	
Withstanding voltage	AC2000V/1Min	
MECHANICAL		
Temp. range	-40°C~+105°C	
Max. soldering	+250°C for 5 Sec	

MATERIAL		
Nut	M2.5.Brass	
Pin header	Brass, Sn plated	
Housing	PA66, UL94V-0	
ELECTRICAL		
Standard	UL	IEC
Rated voltage	300V	250V
Rated current	8A	7A
Contact resistance	20m Ω	
Insulation resistance	500M Ω/DC500V	
Withstanding voltage	AC2000V/1Min	
MECHANICAL		
Temp. range	-40°C~+105°C	
Max. soldering	+250°C for 5 Sec	

MATERIAL		
Screws	M3.0 Steel Zn plated	
Clamp	Phosphor bronze, Ni plated	
Cage	Brass, Ni plated	
Housing	PA66, UL94V-0	
ELECTRICAL		
Standard	UL	IEC
Rated voltage	300V	450V
Rated current	15A	20A
Wire range	28-14AWG	2.5mm ²
Contact resistance	20m Ω	
Insulation resistance	500M Ω/DC500V	
Withstanding voltage	AC2000V/1Min	
MECHANICAL		
Temp. range	-40°C~+105°C	
Max. soldering	+250°C for 5 Sec	
Torque	5.10kgf-cm/0.5Nm/4.43Lbin	
Strip length	7-8mm	



PLUG-IN TERMINAL BLOCK



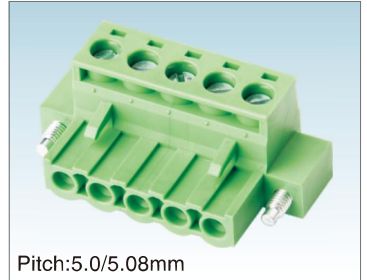
Pitch:7.5/7.62mm

MODEL: WJ2EDGK-7.5/7.62



Pitch:10.0/10.16mm

MODEL: WJ2EDGK-10.0/10.16



Pitch:5.0/5.08mm

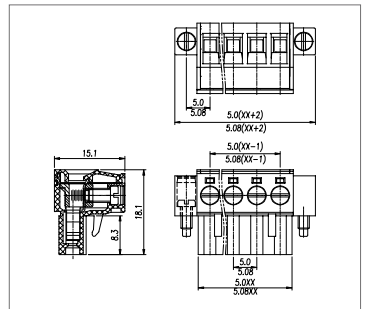
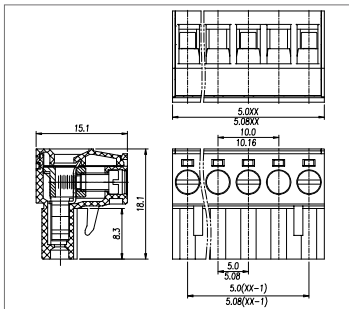
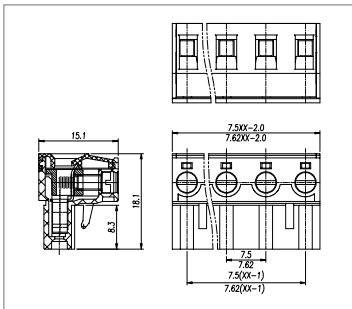
MODEL: WJ2EDGKM-5.0/5.08



MATERIAL	
Screws	M3.0 Steel Zn plated
Clamp	Phosphor bronze, Ni plated
Cage	Brass, Ni plated
Housing	PA66, UL94V-0
ELECTRICAL	
Standard	UL IEC
Rated voltage	300V 450V
Rated current	15A 20A
Wire range	28-14AWG 2.5mm ²
Contact resistance	20mΩ
Insulation resistance	500MΩ/DC500V
Withstanding voltage	AC2000V/1Min
MECHANICAL	
Temp. range	-40°C~+105°C
Max. soldering	+250°C for 5 Sec
Torque	5.10kgf-cm/0.5Nm/4.43Lbin
Strip length	7-8mm

MATERIAL	
Screws	M3.0 Steel Zn plated
Clamp	Phosphor bronze, Ni plated
Cage	Brass, Ni plated
Housing	PA66, UL94V-0
ELECTRICAL	
Standard	UL IEC
Rated voltage	600V 750V
Rated current	15A 20A
Wire range	28-14AWG 2.5mm ²
Contact resistance	20mΩ
Insulation resistance	500MΩ/DC500V
Withstanding voltage	AC2000V/1Min
MECHANICAL	
Temp. range	-40°C~+105°C
Max. soldering	+250°C for 5 Sec
Torque	5.10kgf-cm/0.5Nm/4.43Lbin
Strip length	7-8mm

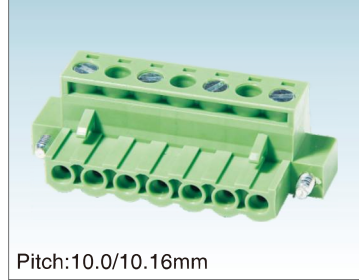
MATERIAL	
Screws	M3.0 Steel Zn plated
Clamp	Phosphor bronze, Ni plated
Cage	Brass, Ni plated
Housing	PA66, UL94V-0
ELECTRICAL	
Standard	UL IEC
Rated voltage	300V 450V
Rated current	15A 20A
Wire range	28-14AWG 2.5mm ²
Contact resistance	20mΩ
Insulation resistance	500MΩ/DC500V
Withstanding voltage	AC2000V/1Min
MECHANICAL	
Temp. range	-40°C~+105°C
Max. soldering	+250°C for 5 Sec
Torque	5.10kgf-cm/0.5Nm/4.43Lbin
Strip length	7-8mm





Pitch:7.5/7.62mm

MODEL: WJ2EDGKM-7.5/7.62



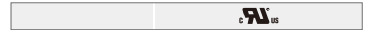
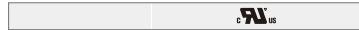
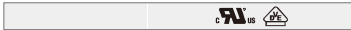
Pitch:10.0/10.16mm

MODEL: WJ2EDGKM-10.0/10.16



Pitch:5.0/5.08mm

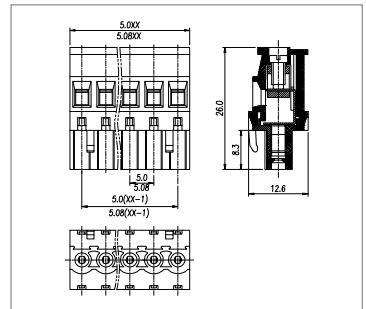
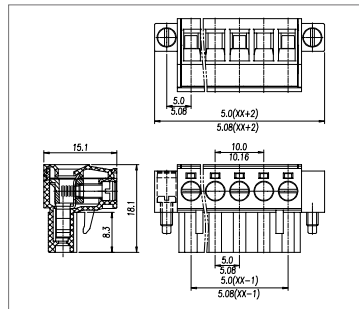
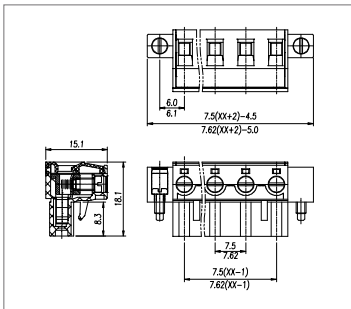
MODEL: WJ2EDGKA-5.0/5.08



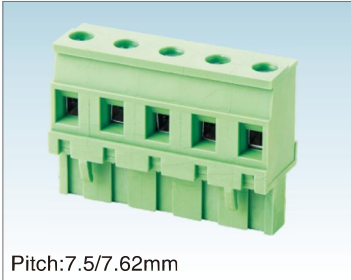
MATERIAL		
Screws	M3.0 Steel Zn plated	
Clamp	Phosphor bronze, Ni plated	
Cage	Brass, Ni plated	
Housing	PA66, UL94V-0	
ELECTRICAL		
Standard	UL	IEC
Rated voltage	300V	450V
Rated current	15A	20A
Wire range	28-14AWG	2.5mm ²
Contact resistance	20m Ω	
Insulation resistance	500M Ω /DC500V	
Withstanding voltage	AC2000V/1Min	
MECHANICAL		
Temp. range	-40°C~+105°C	
Max. soldering	+250°C for 5 Sec	
Torque	5.10kgf-cm/0.5Nm/4.43Lbin	
Strip length	7-8mm	

MATERIAL		
Screws	M3.0 Steel Zn plated	
Clamp	Phosphor bronze, Ni plated	
Cage	Brass, Ni plated	
Housing	PA66, UL94V-0	
ELECTRICAL		
Standard	UL	IEC
Rated voltage	600V	750V
Rated current	15A	20A
Wire range	28-14AWG	2.5mm ²
Contact resistance	20m Ω	
Insulation resistance	500M Ω /DC500V	
Withstanding voltage	AC2000V/1Min	
MECHANICAL		
Temp. range	-40°C~+105°C	
Max. soldering	+250°C for 5 Sec	
Torque	5.10kgf-cm/0.5Nm/4.43Lbin	
Strip length	7-8mm	

MATERIAL		
Screws	M3.0 Steel Zn plated	
Clamp	Phosphor bronze, Ni plated	
Cage	Brass, Ni plated	
Housing	PA66, UL94V-0	
ELECTRICAL		
Standard	UL	IEC
Rated voltage	300V	450V
Rated current	15A	20A
Wire range	28-14AWG	2.5mm ²
Contact resistance	20m Ω	
Insulation resistance	500M Ω /DC500V	
Withstanding voltage	AC2000V/1Min	
MECHANICAL		
Temp. range	-40°C~+105°C	
Max. soldering	+250°C for 5 Sec	
Torque	5.10kgf-cm/0.5Nm/4.43Lbin	
Strip length	7-8mm	

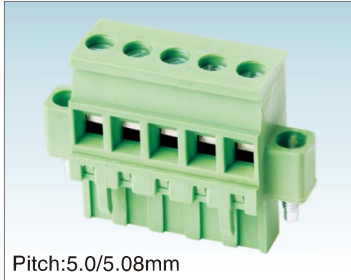
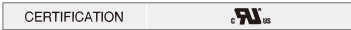


PLUG-IN TERMINAL BLOCK



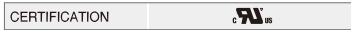
Pitch:7.5/7.62mm

MODEL: WJ2EDGKA-7.5/7.62



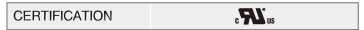
Pitch:5.0/5.08mm

MODEL: WJ2EDGKAM-5.0/5.08



Pitch:7.5/7.62mm

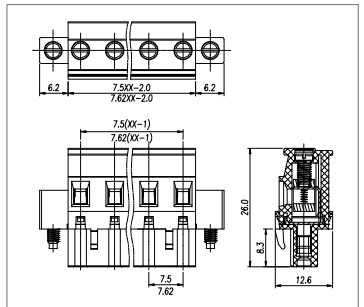
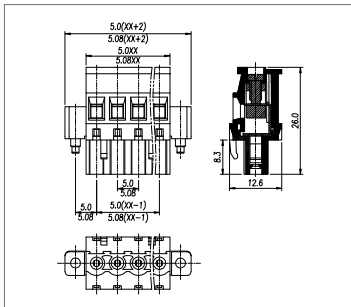
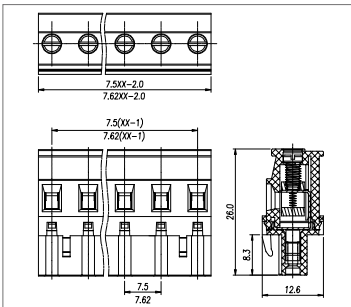
MODEL: WJ2EDGKAM-7.5/7.62

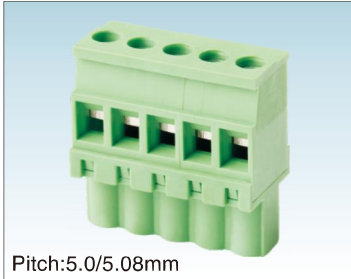


MATERIAL		
Screws	M3.0 Steel Zn plated	
Clamp	Phosphor bronze, Ni plated	
Cage	Brass, Ni plated	
Housing	PA66, UL94V-0	
ELECTRICAL		
Standard	UL	IEC
Rated voltage	300V	450V
Rated current	15A	20A
Wire range	28-14AWG	2.5mm ²
Contact resistance	20mΩ	
Insulation resistance	500MΩ/DC500V	
Withstanding voltage	AC2000V/1Min	
MECHANICAL		
Temp. range	-40°C~+105°C	
Max. soldering	+250°C for 5 Sec	
Torque	5.10kgf-cm/0.5Nm/4.43Lbin	
Strip length	7~8mm	

MATERIAL		
Screws	M3.0 Steel Zn plated	
Clamp	Phosphor bronze, Ni plated	
Cage	Brass, Ni plated	
Housing	PA66, UL94V-0	
ELECTRICAL		
Standard	UL	IEC
Rated voltage	300V	450V
Rated current	15A	20A
Wire range	28-14AWG	2.5mm ²
Contact resistance	20mΩ	
Insulation resistance	500MΩ/DC500V	
Withstanding voltage	AC2000V/1Min	
MECHANICAL		
Temp. range	-40°C~+105°C	
Max. soldering	+250°C for 5 Sec	
Torque	5.10kgf-cm/0.5Nm/4.43Lbin	
Strip length	7~8mm	

MATERIAL		
Screws	M3.0 Steel Zn plated	
Clamp	Phosphor bronze, Ni plated	
Cage	Brass, Ni plated	
Housing	PA66, UL94V-0	
ELECTRICAL		
Standard	UL	IEC
Rated voltage	300V	450V
Rated current	15A	20A
Wire range	28-14AWG	2.5mm ²
Contact resistance	20mΩ	
Insulation resistance	500MΩ/DC500V	
Withstanding voltage	AC2000V/1Min	
MECHANICAL		
Temp. range	-40°C~+105°C	
Max. soldering	+250°C for 5 Sec	
Torque	5.10kgf-cm/0.5Nm/4.43Lbin	
Strip length	7~8mm	





Pitch:5.0/5.08mm

MODEL: WJ2EDGKB-5.0/5.08

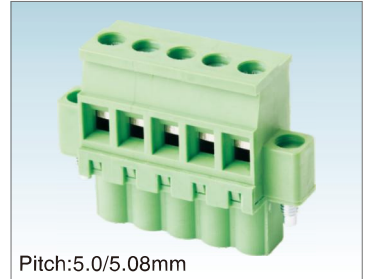
CERTIFICATION	
---------------	--



Pitch:7.5/7.62mm

MODEL: WJ2EDGKB-7.5/7.62

CERTIFICATION	
---------------	--



Pitch:5.0/5.08mm

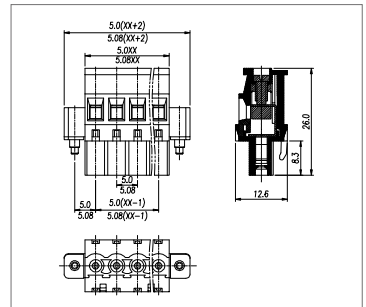
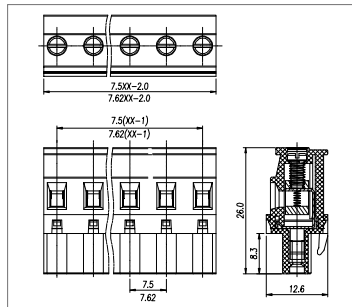
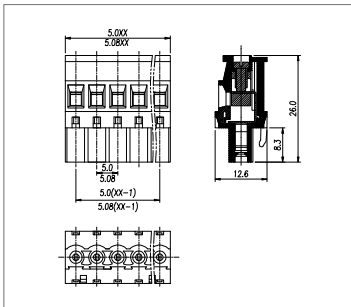
MODEL: WJ2EDGKBM-5.0/5.08

CERTIFICATION	
---------------	--

MATERIAL		
Screws	M3.0 Steel Zn plated	
Clamp	Phosphor bronze, Ni plated	
Cage	Brass, Ni plated	
Housing	PA66, UL94V-0	
ELECTRICAL		
Standard	UL	IEC
Rated voltage	300V	450V
Rated current	15A	20A
Wire range	28-14AWG	2.5mm ²
Contact resistance	20mΩ	
Insulation resistance	500MΩ/DC500V	
Withstanding voltage	AC2000V/1Min	
MECHANICAL		
Temp. range	-40°C~+105°C	
Max. soldering	+250°C for 5 Sec	
Torque	5.10kgf-cm/0.5Nm/4.43Lbin	
Strip length	7~8mm	

MATERIAL		
Screws	M3.0 Steel Zn plated	
Clamp	Phosphor bronze, Ni plated	
Cage	Brass, Ni plated	
Housing	PA66, UL94V-0	
ELECTRICAL		
Standard	UL	IEC
Rated voltage	300V	450V
Rated current	15A	20A
Wire range	28-14AWG	2.5mm ²
Contact resistance	20mΩ	
Insulation resistance	500MΩ/DC500V	
Withstanding voltage	AC2000V/1Min	
MECHANICAL		
Temp. range	-40°C~+105°C	
Max. soldering	+250°C for 5 Sec	
Torque	5.10kgf-cm/0.5Nm/4.43Lbin	
Strip length	7~8mm	

MATERIAL		
Screws	M3.0 Steel Zn plated	
Clamp	Phosphor bronze, Ni plated	
Cage	Brass, Ni plated	
Housing	PA66, UL94V-0	
ELECTRICAL		
Standard	UL	IEC
Rated voltage	300V	450V
Rated current	15A	20A
Wire range	28-14AWG	2.5mm ²
Contact resistance	20mΩ	
Insulation resistance	500MΩ/DC500V	
Withstanding voltage	AC2000V/1Min	
MECHANICAL		
Temp. range	-40°C~+105°C	
Max. soldering	+250°C for 5 Sec	
Torque	5.10kgf-cm/0.5Nm/4.43Lbin	
Strip length	7~8mm	

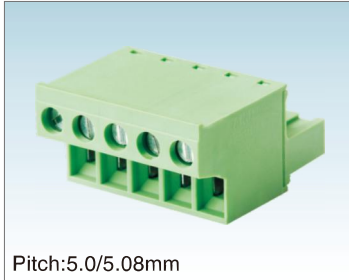




Pitch:7.5/7.62mm

MODEL: WJ2EDGKBM-7.5/7.62

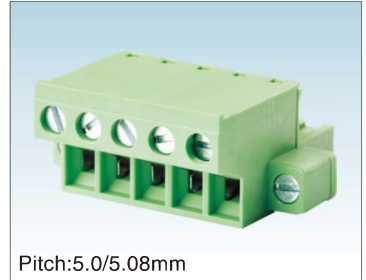
CERTIFICATION	
---------------	--



Pitch:5.0/5.08mm

MODEL: WJ2EDGKC

CERTIFICATION	
---------------	--



Pitch:5.0/5.08mm

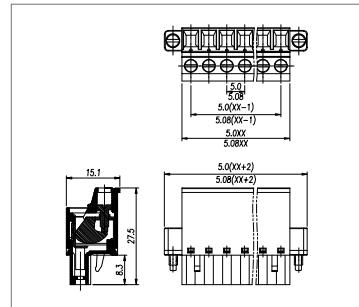
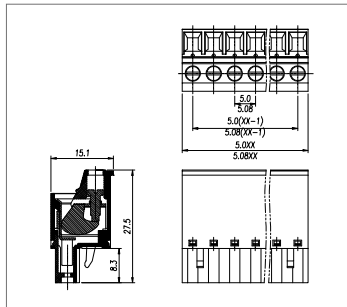
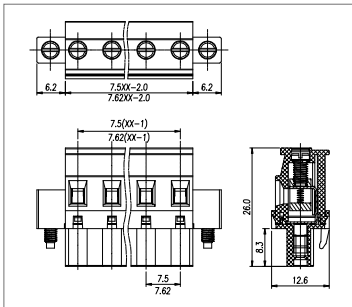
MODEL: WJ2EDGKCM

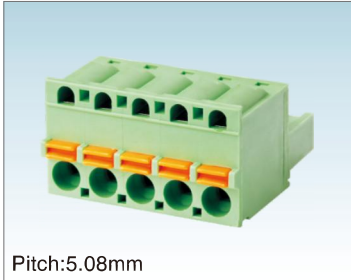
CERTIFICATION	
---------------	--

MATERIAL		
Screws	M3.0 Steel Zn plated	
Clamp	Phosphor bronze, Ni plated	
Cage	Brass, Ni plated	
Housing	PA66, UL94V-0	
ELECTRICAL		
Standard	UL	IEC
Rated voltage	300V	450V
Rated current	15A	20A
Wire range	28-14AWG	2.5mm ²
Contact resistance	20m Ω	
Insulation resistance	500M Ω/DC500V	
Withstanding voltage	AC2000V/1Min	
MECHANICAL		
Temp. range	-40°C~+105°C	
Max. soldering	+250°C for 5 Sec	
Torque	5.10kgf-cm/0.5Nm/4.43Lbin	
Strip length	7-8mm	

MATERIAL		
Screws	M2.5 Steel Zn plated	
Clamp	Phosphor bronze, Ni plated	
Cage	Brass, Ni plated	
Slide block	Steel Zn plated	
Housing	PA66, UL94V-0	
ELECTRICAL		
Standard	UL	IEC
Rated voltage	300V	450V
Rated current	15A	20A
Wire range	28-14AWG	2.5mm ²
Contact resistance	20m Ω	
Insulation resistance	500M Ω/DC500V	
Withstanding voltage	AC2000V/1Min	
MECHANICAL		
Temp. range	-40°C~+105°C	
Max. soldering	+250°C for 5 Sec	
Torque	4.08kgf-cm/0.4Nm/3.54Lbin	
Strip length	7-8mm	

MATERIAL		
Screws	M2.5 Steel Zn plated	
Clamp	Phosphor bronze, Ni plated	
Cage	Brass, Ni plated	
Slide block	Steel Zn plated	
Housing	PA66, UL94V-0	
ELECTRICAL		
Standard	UL	IEC
Rated voltage	300V	450V
Rated current	15A	20A
Wire range	28-14AWG	2.5mm ²
Contact resistance	20m Ω	
Insulation resistance	500M Ω/DC500V	
Withstanding voltage	AC2000V/1Min	
MECHANICAL		
Temp. range	-40°C~+105°C	
Max. soldering	+250°C for 5 Sec	
Torque	4.08kgf-cm/0.4Nm/3.54Lbin	
Strip length	7-8mm	





Pitch:5.08mm

MODEL: WJ2EDGKD

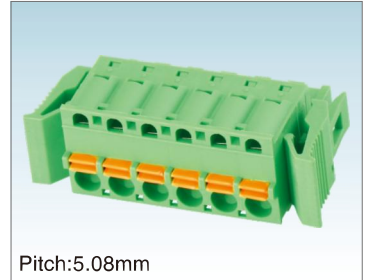
CERTIFICATION	
---------------	--



Pitch:5.08mm

MODEL: WJ2EDGKDM

CERTIFICATION	
---------------	--



Pitch:5.08mm

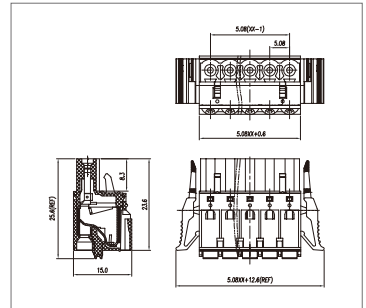
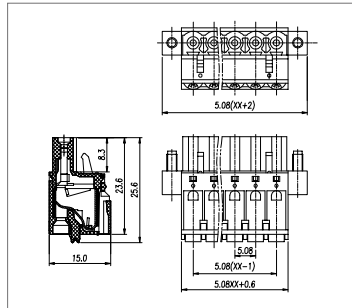
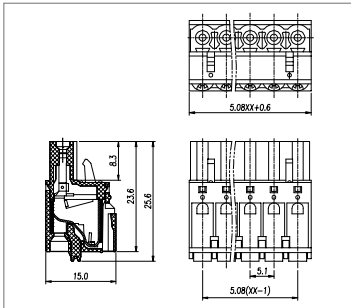
MODEL: WJ2EDGKDG

CERTIFICATION	
---------------	--

MATERIAL	Phosphor bronze, Ni plated	
Clamp	Stainless steel	
Shrapnel	PA66, UL94V-0	
Housing	PA66, UL94V-0	
ELECTRICAL	UL	IEC
Standard	UL	IEC
Rated voltage	300V	450V
Rated current	10A	20A
Wire range	28-14AWG	2.5mm ²
Contact resistance	20m Ω	
Insulation resistance	500M Ω/DC500V	
Withstanding voltage	AC2000V/1Min	
MECHANICAL	-40°C~+105°C	
Temp. range	7~8mm	
Strip length		

MATERIAL	Phosphor bronze, Ni plated	
Clamp	Stainless steel	
Shrapnel	PA66, UL94V-0	
Housing	PA66, UL94V-0	
ELECTRICAL	UL	IEC
Standard	UL	IEC
Rated voltage	300V	450V
Rated current	10A	20A
Wire range	28-14AWG	2.5mm ²
Contact resistance	20m Ω	
Insulation resistance	500M Ω/DC500V	
Withstanding voltage	AC2000V/1Min	
MECHANICAL	-40°C~+105°C	
Temp. range	7~8mm	
Strip length		

MATERIAL	Phosphor bronze, Ni plated	
Clamp	Stainless steel	
Shrapnel	PA66, UL94V-0	
Housing	PA66, UL94V-0	
ELECTRICAL	UL	IEC
Standard	UL	IEC
Rated voltage	300V	450V
Rated current	10A	20A
Wire range	28-14AWG	2.5mm ²
Contact resistance	20m Ω	
Insulation resistance	500M Ω/DC500V	
Withstanding voltage	AC2000V/1Min	
MECHANICAL	-40°C~+105°C	
Temp. range	7~8mm	
Strip length		





Pitch:5.0mm

MODEL: WJ2EDGKF

CERTIFICATION	
---------------	--



Pitch:5.0/5.08mm

MODEL: WJ2EDGKZ

CERTIFICATION	
---------------	--



Pitch:5.0/5.08mm

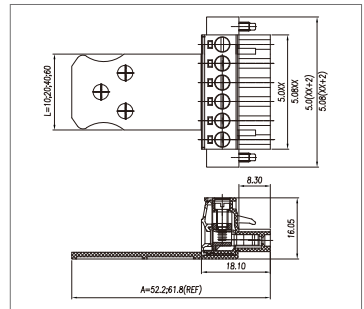
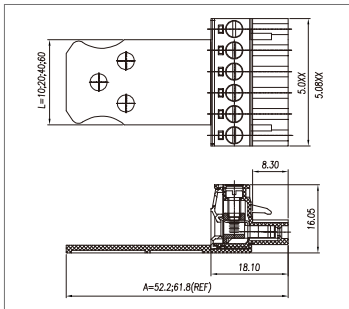
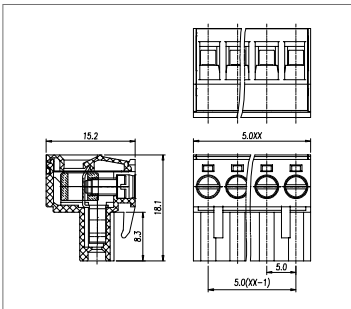
MODEL: WJ2EDGKZM

CERTIFICATION	
---------------	--

MATERIAL	
Screws	M3.0 Steel Zn plated
Clamp	Phosphor bronze, Ni plated
Cage	Brass, Ni plated
Housing	PA66, UL94V-0
ELECTRICAL	
Standard	UL IEC
Rated voltage	300V 450V
Rated current	15A 20A
Wire range	28-14AWG 2.5mm ²
Contact resistance	20mΩ
Insulation resistance	500MΩ/DC500V
Withstanding voltage	AC2000V/1Min
MECHANICAL	
Temp. range	-40°C~+105°C
Max. soldering	+250°C for 5 Sec
Torque	5.10kgf-cm/0.5Nm/4.43Lbin
Strip length	7-8mm

MATERIAL	
Screws	M3.0 Steel Zn plated
Clamp	Phosphor bronze, Ni plated
Cage	Brass, Ni plated
Housing	PA66, UL94V-0
ELECTRICAL	
Standard	UL IEC
Rated voltage	300V 450V
Rated current	15A 20A
Wire range	28-14AWG 2.5mm ²
Contact resistance	20mΩ
Insulation resistance	500MΩ/DC500V
Withstanding voltage	AC2000V/1Min
MECHANICAL	
Temp. range	-40°C~+105°C
Max. soldering	+250°C for 5 Sec
Torque	5.10kgf-cm/0.5Nm/4.43Lbin
Strip length	7-8mm

MATERIAL	
Screws	M3.0 Steel Zn plated
Clamp	Phosphor bronze, Ni plated
Cage	Brass, Ni plated
Housing	PA66, UL94V-0
ELECTRICAL	
Standard	UL IEC
Rated voltage	300V 450V
Rated current	15A 20A
Wire range	28-14AWG 2.5mm ²
Contact resistance	20mΩ
Insulation resistance	500MΩ/DC500V
Withstanding voltage	AC2000V/1Min
MECHANICAL	
Temp. range	-40°C~+105°C
Max. soldering	+250°C for 5 Sec
Torque	5.10kgf-cm/0.5Nm/4.43Lbin
Strip length	7-8mm

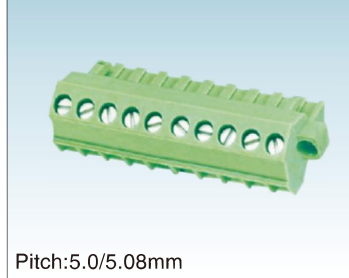




Pitch:5.0/5.08mm

MODEL: WJ2EDGKL

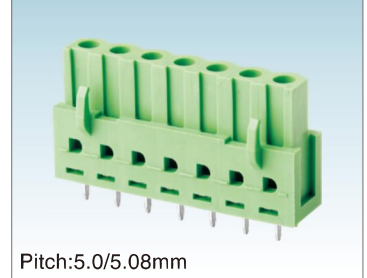
CERTIFICATION	
---------------	--



Pitch:5.0/5.08mm

MODEL: WJ2EDGKLM

CERTIFICATION	
---------------	--



Pitch:5.0/5.08mm

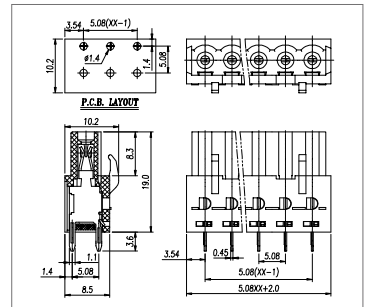
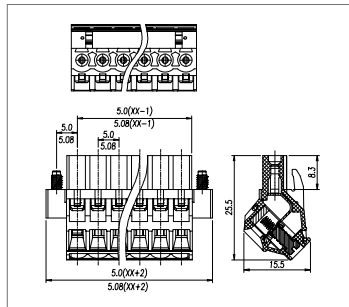
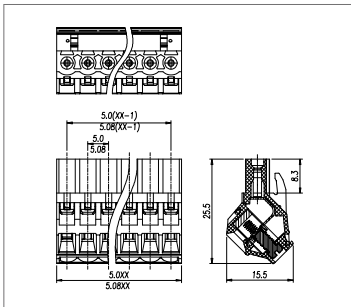
MODEL: WJ2EDGB

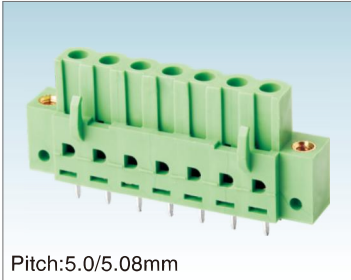
CERTIFICATION	
---------------	--

MATERIAL	
Screws	M3.0 Steel Zn plated
Clamp	Phosphor bronze, Ni plated
Cage	Brass, Ni plated
Housing	PA66, UL94V-0
ELECTRICAL	
Standard	UL IEC
Rated voltage	300V 450V
Rated current	15A 20A
Wire range	28-14AWG 2.5mm ²
Contact resistance	20mΩ
Insulation resistance	500MΩ/DC500V
Withstanding voltage	AC2000V/1Min
MECHANICAL	
Temp. range	-40°C~+105°C
Max. soldering	+250°C for 5 Sec
Torque	5.10kgf-cm/0.5Nm/4.43Lbin
Strip length	7-8mm

MATERIAL	
Screws	M3.0 Steel Zn plated
Clamp	Phosphor bronze, Ni plated
Cage	Brass, Ni plated
Housing	PA66, UL94V-0
ELECTRICAL	
Standard	UL IEC
Rated voltage	300V 450V
Rated current	15A 20A
Wire range	28-14AWG 2.5mm ²
Contact resistance	20mΩ
Insulation resistance	500MΩ/DC500V
Withstanding voltage	AC2000V/1Min
MECHANICAL	
Temp. range	-40°C~+105°C
Max. soldering	+250°C for 5 Sec
Torque	5.10kgf-cm/0.5Nm/4.43Lbin
Strip length	7-8mm

MATERIAL	
Pin header	Phosphor bronze, Si plated
Housing	PA66, UL94V-0
ELECTRICAL	
Standard	UL IEC
Rated voltage	300V 450V
Rated current	15A 20A
Contact resistance	20mΩ
Insulation resistance	500MΩ/DC500V
Withstanding voltage	AC2000V/1Min
MECHANICAL	
Temp. range	-40°C~+105°C
Max. soldering	+250°C for 5 Sec

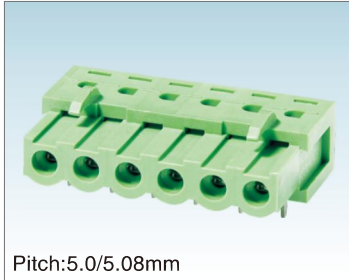




Pitch:5.0/5.08mm

MODEL: WJ2EDGBM

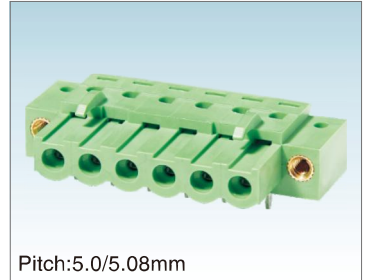
CERTIFICATION	
---------------	--



Pitch:5.0/5.08mm

MODEL: WJ2EDGA

CERTIFICATION	
---------------	--



Pitch:5.0/5.08mm

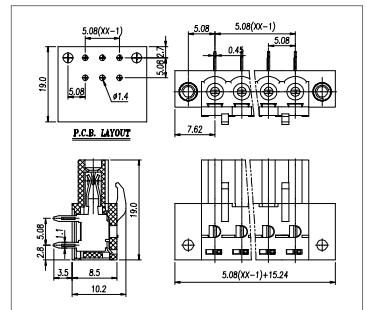
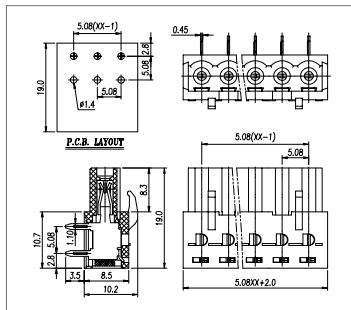
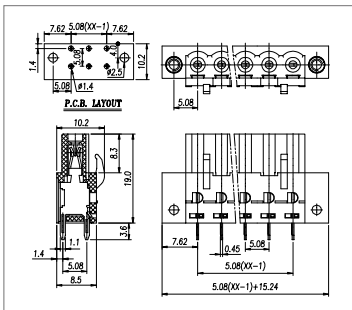
MODEL: WJ2EDGAM

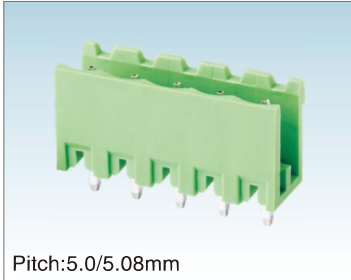
CERTIFICATION	
---------------	--

MATERIAL	Nut M2 5,Brass	
Pin header	Phosphor bronze, Si plated	
Housing	PA66, UL94V-0	
ELECTRICAL	UL	IEC
Standard	UL	IEC
Rated voltage	300V	450V
Rated current	15A	20A
Contact resistance	20mΩ	
Insulation resistance	500MΩ/DC500V	
Withstanding voltage	AC2000V/1Min	
MECHANICAL	Temp. range	
Temp. range	-40°C~+105°C	
Max. soldering	+250°C for 5 Sec	

MATERIAL	Pin header	
Pin header	Phosphor bronze, Si plated	
Housing	PA66, UL94V-0	
ELECTRICAL	UL	IEC
Standard	UL	IEC
Rated voltage	300V	450V
Rated current	15A	20A
Contact resistance	20mΩ	
Insulation resistance	500MΩ/DC500V	
Withstanding voltage	AC2000V/1Min	
MECHANICAL	Temp. range	
Temp. range	-40°C~+105°C	
Max. soldering	+250°C for 5 Sec	

MATERIAL	Nut	
Nut	M2 5,Brass	
Pin header	Phosphor bronze, Si plated	
Housing	PA66, UL94V-0	
ELECTRICAL	UL	IEC
Standard	UL	IEC
Rated voltage	300V	450V
Rated current	15A	20A
Contact resistance	20mΩ	
Insulation resistance	500MΩ/DC500V	
Withstanding voltage	AC2000V/1Min	
MECHANICAL	Temp. range	
Temp. range	-40°C~+105°C	
Max. soldering	+250°C for 5 Sec	

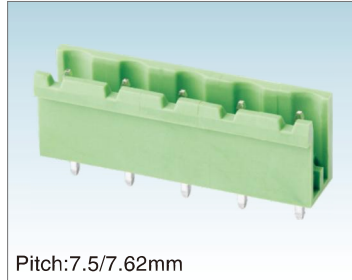




Pitch:5.0/5.08mm

MODEL: WJ2EDGV-5.0/5.08

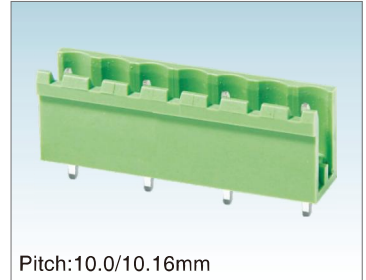
CERTIFICATION	
---------------	--



Pitch:7.5/7.62mm

MODEL: WJ2EDGV-7.5/7.62

CERTIFICATION	
---------------	--



Pitch:10.0/10.16mm

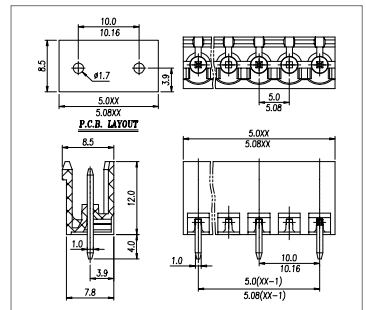
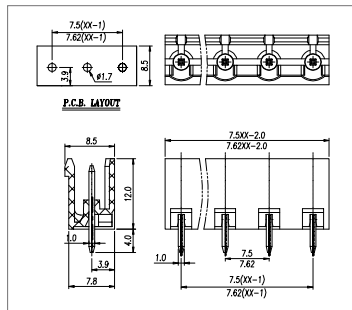
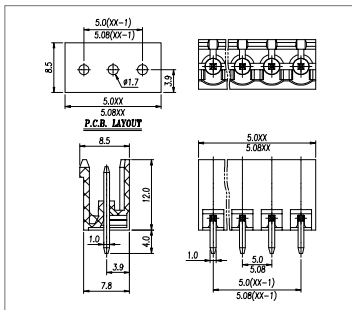
MODEL: WJ2EDGV-10.0/10.16

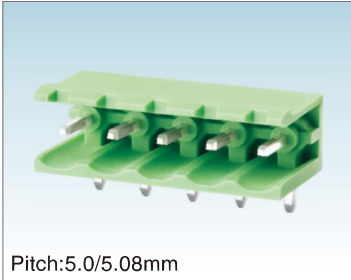
CERTIFICATION	
---------------	--

MATERIAL		
Pin header	Brass, Sn plated	
Housing	PA66, UL94V-0	
ELECTRICAL		
Standard	UL	IEC
Rated voltage	300V	450V
Rated current	15A	20A
Contact resistance	20mΩ	
Insulation resistance	500MΩ/DC500V	
Withstanding voltage	AC2000V/1Min	
MECHANICAL		
Temp. range	-40°C~+105°C	
Max. soldering	+250°C for 5 Sec	

MATERIAL		
Pin header	Brass, Sn plated	
Housing	PA66, UL94V-0	
ELECTRICAL		
Standard	UL	IEC
Rated voltage	300V	450V
Rated current	15A	20A
Contact resistance	20mΩ	
Insulation resistance	500MΩ/DC500V	
Withstanding voltage	AC2000V/1Min	
MECHANICAL		
Temp. range	-40°C~+105°C	
Max. soldering	+250°C for 5 Sec	

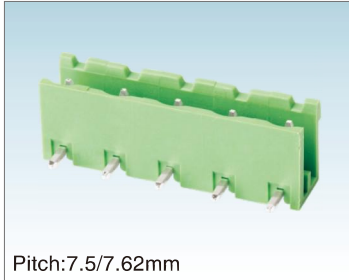
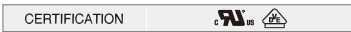
MATERIAL		
Pin header	Brass, Sn plated	
Housing	PA66, UL94V-0	
ELECTRICAL		
Standard	UL	IEC
Rated voltage	600V	750V
Rated current	15A	20A
Contact resistance	20mΩ	
Insulation resistance	500MΩ/DC500V	
Withstanding voltage	AC2000V/1Min	
MECHANICAL		
Temp. range	-40°C~+105°C	
Max. soldering	+250°C for 5 Sec	





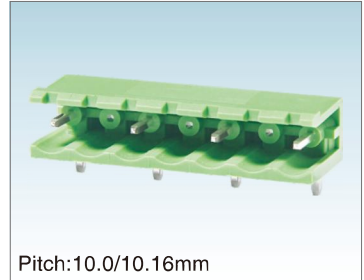
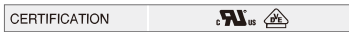
Pitch:5.0/5.08mm

MODEL: WJ2EDGR-5.0/5.08



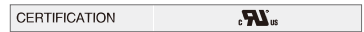
Pitch:7.5/7.62mm

MODEL: WJ2EDGR-7.5/7.62



Pitch:10.0/10.16mm

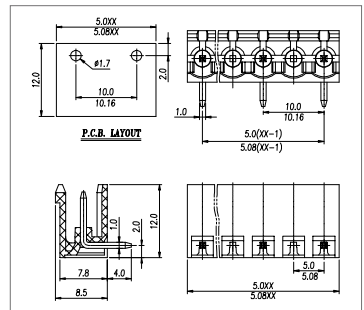
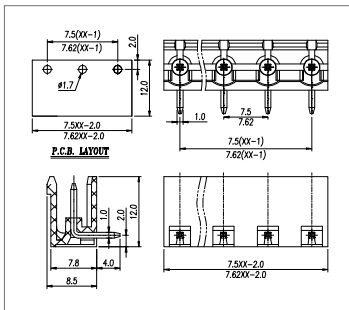
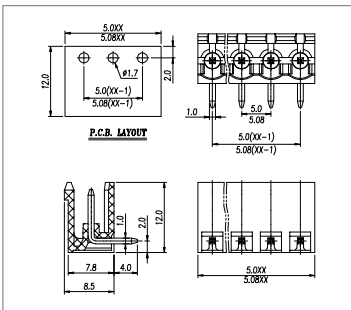
MODEL: WJ2EDGR-10.0/10.16

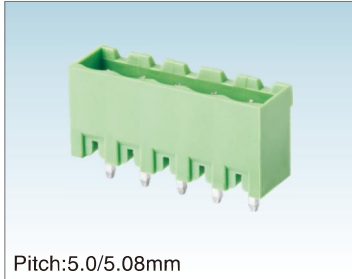


MATERIAL		
Pin header	Brass, Sn plated	
Housing	PA66, UL94V-0	
ELECTRICAL		
Standard	UL	IEC
Rated voltage	300V	450V
Rated current	15A	20A
Contact resistance	20mΩ	
Insulation resistance	500MΩ/DC500V	
Withstanding voltage	AC2000V/1Min	
MECHANICAL		
Temp. range	-40°C~+105°C	
Max. soldering	+250°C for 5 Sec	

MATERIAL		
Pin header	Brass, Sn plated	
Housing	PA66, UL94V-0	
ELECTRICAL		
Standard	UL	IEC
Rated voltage	300V	450V
Rated current	15A	20A
Contact resistance	20mΩ	
Insulation resistance	500MΩ/DC500V	
Withstanding voltage	AC2000V/1Min	
MECHANICAL		
Temp. range	-40°C~+105°C	
Max. soldering	+250°C for 5 Sec	

MATERIAL		
Pin header	Brass, Sn plated	
Housing	PA66, UL94V-0	
ELECTRICAL		
Standard	UL	IEC
Rated voltage	600V	750V
Rated current	15A	20A
Contact resistance	20mΩ	
Insulation resistance	500MΩ/DC500V	
Withstanding voltage	AC2000V/1Min	
MECHANICAL		
Temp. range	-40°C~+105°C	
Max. soldering	+250°C for 5 Sec	

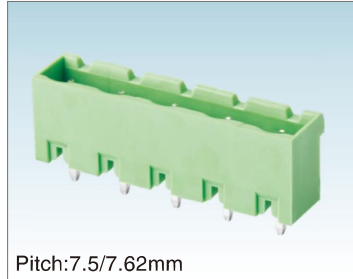




Pitch:5.0/5.08mm

MODEL: WJ2EDGVC-5.0/5.08

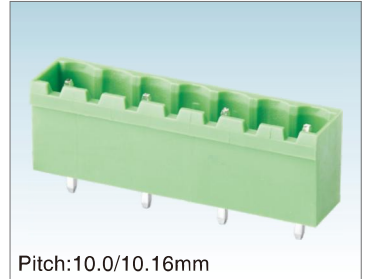
CERTIFICATION	
---------------	--



Pitch:7.5/7.62mm

MODEL: WJ2EDGVC-7.5/7.62

CERTIFICATION	
---------------	--



Pitch:10.0/10.16mm

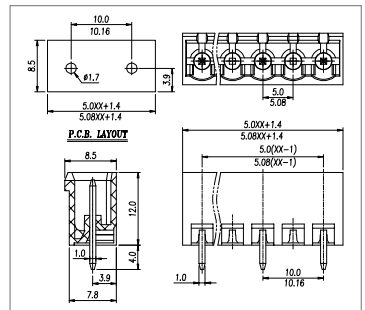
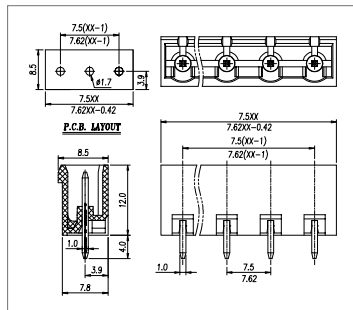
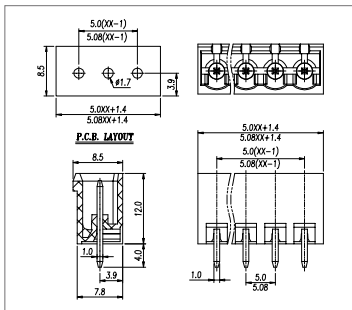
MODEL: WJ2EDGVC-10.0/10.16

CERTIFICATION	
---------------	--

MATERIAL		
Pin header	Brass, Sn plated	
Housing	PA66, UL94V-0	
ELECTRICAL		
Standard	UL	IEC
Rated voltage	300V	450V
Rated current	15A	20A
Contact resistance	20mΩ	
Insulation resistance	500MΩ/DC500V	
Withstanding voltage	AC2000V/1Min	
MECHANICAL		
Temp. range	-40°C~+105°C	
Max. soldering	+250°C for 5 Sec	

MATERIAL		
Pin header	Brass, Sn plated	
Housing	PA66, UL94V-0	
ELECTRICAL		
Standard	UL	IEC
Rated voltage	300V	450V
Rated current	15A	20A
Contact resistance	20mΩ	
Insulation resistance	500MΩ/DC500V	
Withstanding voltage	AC2000V/1Min	
MECHANICAL		
Temp. range	-40°C~+105°C	
Max. soldering	+250°C for 5 Sec	

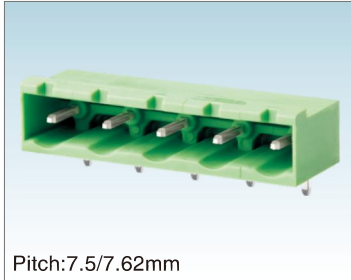
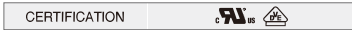
MATERIAL		
Pin header	Brass, Sn plated	
Housing	PA66, UL94V-0	
ELECTRICAL		
Standard	UL	IEC
Rated voltage	600V	750V
Rated current	15A	20A
Contact resistance	20mΩ	
Insulation resistance	500MΩ/DC500V	
Withstanding voltage	AC2000V/1Min	
MECHANICAL		
Temp. range	-40°C~+105°C	
Max. soldering	+250°C for 5 Sec	





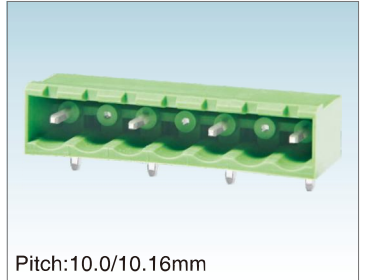
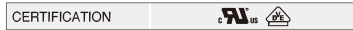
Pitch:5.0/5.08mm

MODEL: WJ2EDGRC-5.0/5.08



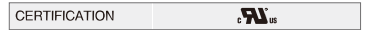
Pitch:7.5/7.62mm

MODEL: WJ2EDGRC-7.5/7.62



Pitch:10.0/10.16mm

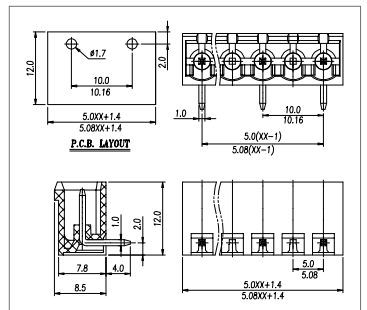
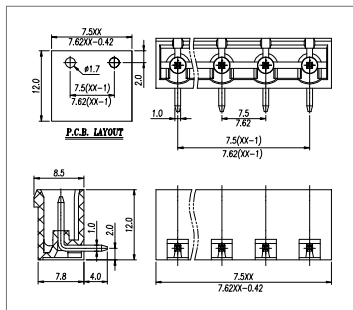
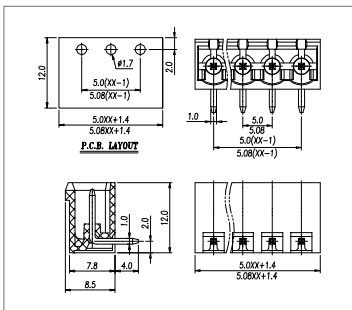
MODEL: WJ2EDGRC-10.0/10.16

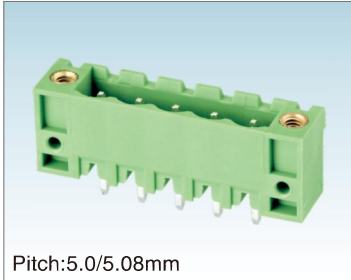


MATERIAL		
Pin header	Brass, Sn plated	
Housing	PA66, UL94V-0	
ELECTRICAL		
Standard	UL	IEC
Rated voltage	300V	450V
Rated current	15A	20A
Contact resistance	20m Ω	
Insulation resistance	500M Ω/DC500V	
Withstanding voltage	AC2000V/1Min	
MECHANICAL		
Temp. range	-40°C~+105°C	
Max. soldering	+250°C for 5 Sec	

MATERIAL		
Pin header	Brass, Sn plated	
Housing	PA66, UL94V-0	
ELECTRICAL		
Standard	UL	IEC
Rated voltage	300V	450V
Rated current	15A	20A
Contact resistance	20m Ω	
Insulation resistance	500M Ω/DC500V	
Withstanding voltage	AC2000V/1Min	
MECHANICAL		
Temp. range	-40°C~+105°C	
Max. soldering	+250°C for 5 Sec	

MATERIAL		
Pin header	Brass, Sn plated	
Housing	PA66, UL94V-0	
ELECTRICAL		
Standard	UL	IEC
Rated voltage	600V	750V
Rated current	15A	20A
Contact resistance	20m Ω	
Insulation resistance	500M Ω/DC500V	
Withstanding voltage	AC2000V/1Min	
MECHANICAL		
Temp. range	-40°C~+105°C	
Max. soldering	+250°C for 5 Sec	

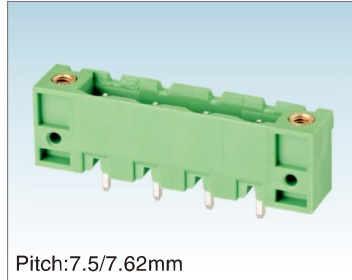




Pitch:5.0/5.08mm

MODEL: WJ2EDGVM-5.0/5.08

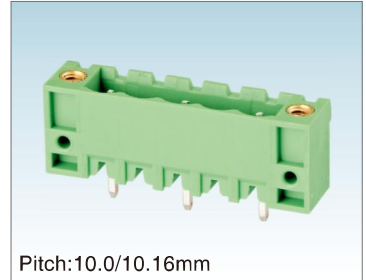
CERTIFICATION	
---------------	--



Pitch:7.5/7.62mm

MODEL: WJ2EDGVM-7.5/7.62

CERTIFICATION	
---------------	--



Pitch:10.0/10.16mm

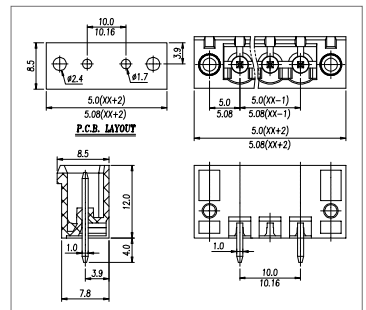
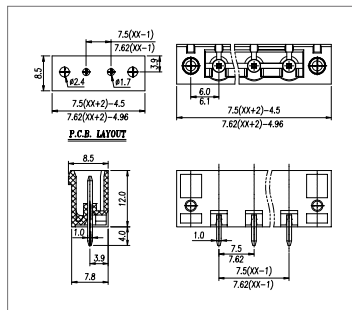
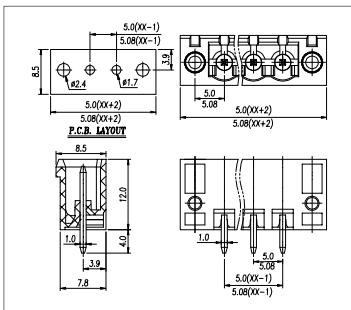
MODEL: WJ2EDGVM-10.0/10.16

CERTIFICATION	
---------------	--

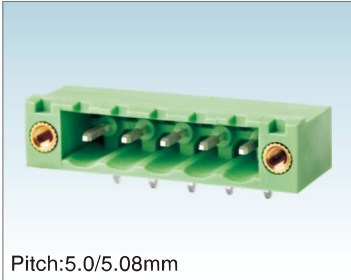
MATERIAL	
Nut	M2.5,Brass
Pin header	Brass, Si plated
Housing	PA66, UL94V-0
ELECTRICAL	
Standard	UL IEC
Rated voltage	300V 450V
Rated current	15A 20A
Contact resistance	20mΩ
Insulation resistance	500MΩ/DC500V
Withstanding voltage	AC2000V/1Min
MECHANICAL	
Temp. range	-40°C~+105°C
Max. soldering	+250°C for 5 Sec

MATERIAL	
Nut	M2.5,Brass
Pin header	Brass, Si plated
Housing	PA66, UL94V-0
ELECTRICAL	
Standard	UL IEC
Rated voltage	300V 450V
Rated current	15A 20A
Contact resistance	20mΩ
Insulation resistance	500MΩ/DC500V
Withstanding voltage	AC2000V/1Min
MECHANICAL	
Temp. range	-40°C~+105°C
Max. soldering	+250°C for 5 Sec

MATERIAL	
Nut	M2.5,Brass
Pin header	Brass, Si plated
Housing	PA66, UL94V-0
ELECTRICAL	
Standard	UL IEC
Rated voltage	600V 750V
Rated current	15A 20A
Contact resistance	20mΩ
Insulation resistance	500MΩ/DC500V
Withstanding voltage	AC2000V/1Min
MECHANICAL	
Temp. range	-40°C~+105°C
Max. soldering	+250°C for 5 Sec

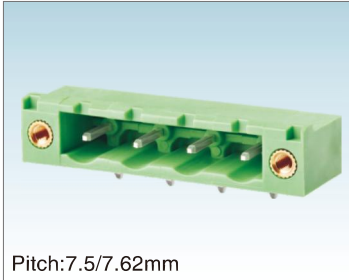
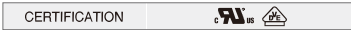


PLUG-IN TERMINAL BLOCK



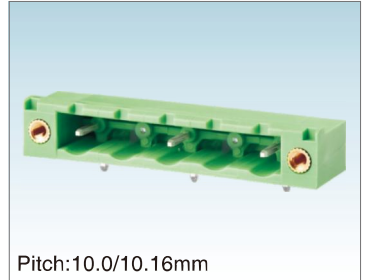
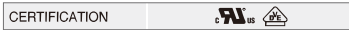
Pitch:5.0/5.08mm

MODEL: WJ2EDGRM-5.0/5.08



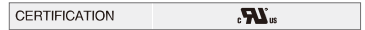
Pitch:7.5/7.62mm

MODEL: WJ2EDGRM-7.5/7.62



Pitch:10.0/10.16mm

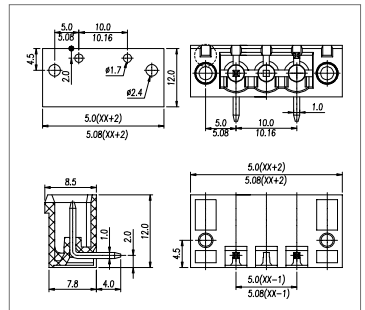
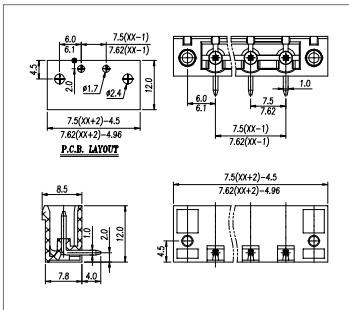
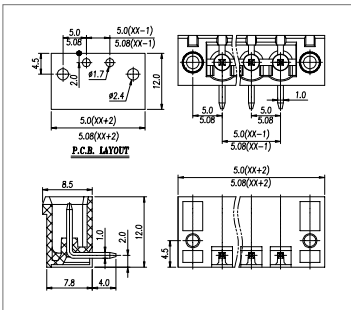
MODEL: WJ2EDGRM-10.0/10.16

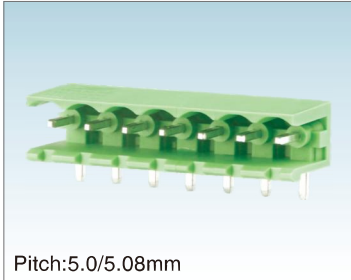


MATERIAL		
Nut	M2.5.Brass	
Pin header	Brass, Si plated	
Housing	PA66, UL94V-0	
ELECTRICAL		
Standard	UL	IEC
Rated voltage	300V	450V
Rated current	15A	20A
Contact resistance	20m Ω	
Insulation resistance	500M Ω/DC500V	
Withstanding voltage	AC2000V/1Min	
MECHANICAL		
Temp. range	-40°C~+105°C	
Max. soldering	+250°C for 5 Sec	

MATERIAL		
Nut	M2.5.Brass	
Pin header	Brass, Si plated	
Housing	PA66, UL94V-0	
ELECTRICAL		
Standard	UL	IEC
Rated voltage	300V	450V
Rated current	15A	20A
Contact resistance	20m Ω	
Insulation resistance	500M Ω/DC500V	
Withstanding voltage	AC2000V/1Min	
MECHANICAL		
Temp. range	-40°C~+105°C	
Max. soldering	+250°C for 5 Sec	

MATERIAL		
Nut	M2.5.Brass	
Pin header	Brass, Si plated	
Housing	PA66, UL94V-0	
ELECTRICAL		
Standard	UL	IEC
Rated voltage	600V	750V
Rated current	15A	20A
Contact resistance	20m Ω	
Insulation resistance	500M Ω/DC500V	
Withstanding voltage	AC2000V/1Min	
MECHANICAL		
Temp. range	-40°C~+105°C	
Max. soldering	+250°C for 5 Sec	

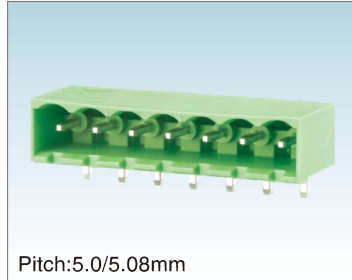




Pitch:5.0/5.08mm

MODEL: WJ2EDGRR-5.0/5.08

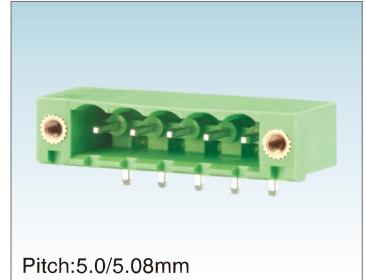
CERTIFICATION



Pitch:5.0/5.08mm

MODEL: WJ2EDGRRRC-5.0/5.08

CERTIFICATION



Pitch:5.0/5.08mm

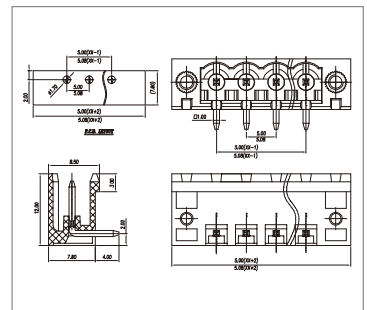
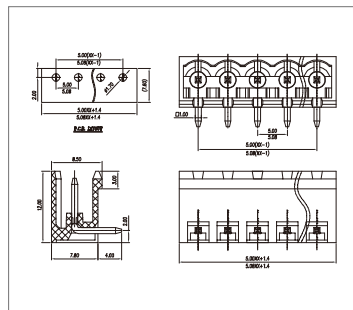
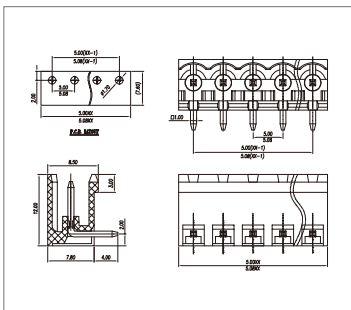
MODEL: WJ2EDGRRM-5.0/5.08

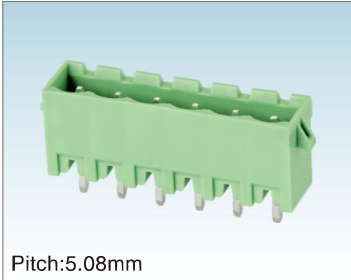
CERTIFICATION

MATERIAL		
Pin header	Brass, Si plated	
Housing	PA66, UL94V-0	
ELECTRICAL		
Standard	UL	IEC
Rated voltage	300V	450V
Rated current	15A	20A
Contact resistance	20mΩ	
Insulation resistance	500MΩ/DC500V	
Withstanding voltage	AC2000V/1Min	
MECHANICAL		
Temp. range	-40°C~+105°C	
Max. soldering	+250°C for 5 Sec	

MATERIAL		
Pin header	Brass, Si plated	
Housing	PA66, UL94V-0	
ELECTRICAL		
Standard	UL	IEC
Rated voltage	300V	450V
Rated current	15A	20A
Contact resistance	20mΩ	
Insulation resistance	500MΩ/DC500V	
Withstanding voltage	AC2000V/1Min	
MECHANICAL		
Temp. range	-40°C~+105°C	
Max. soldering	+250°C for 5 Sec	

MATERIAL		
Nut	M2.5, Brass	
Pin header	Brass, Si plated	
Housing	PA66, UL94V-0	
ELECTRICAL		
Standard	UL	IEC
Rated voltage	300V	450V
Rated current	15A	20A
Contact resistance	20mΩ	
Insulation resistance	500MΩ/DC500V	
Withstanding voltage	AC2000V/1Min	
MECHANICAL		
Temp. range	-40°C~+105°C	
Max. soldering	+250°C for 5 Sec	

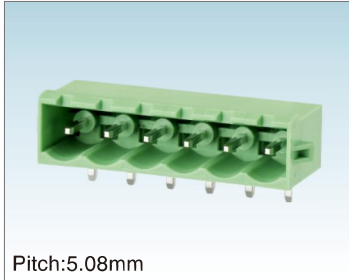




Pitch:5.08mm

WJ2EDGVG-5.08

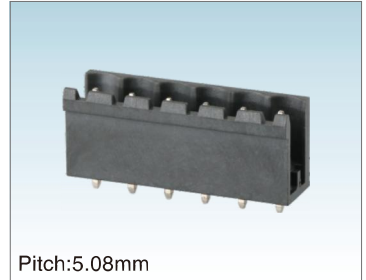
CERTIFICATION	
---------------	--



Pitch:5.08mm

WJ2EDGRG-5.08

CERTIFICATION	
---------------	--



Pitch:5.08mm

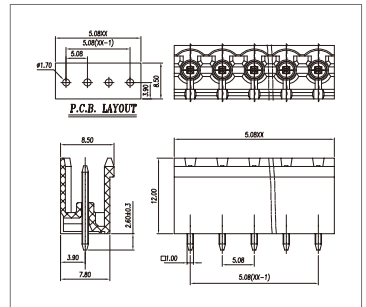
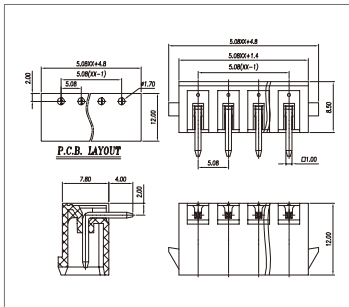
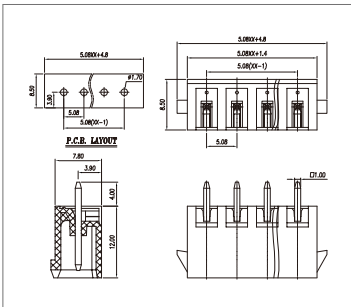
WJ2EDGV-THT-5.08

CERTIFICATION	
---------------	--

MATERIAL		
Pin header	Brass, Sn plated	
Housing	PA66, UL94V-0	
ELECTRICAL		
Standard	UL	IEC
Rated voltage	300V	450V
Rated current	15A	20A
Contact resistance	20mΩ	
Insulation resistance	500MΩ/DC500V	
Withstanding voltage	AC2000V/1Min	
MECHANICAL		
Temp. range	-40°C~+105°C	
Max. soldering	+250°C for 5 Sec	

MATERIAL		
Pin header	Brass, Sn plated	
Housing	PA66, UL94V-0	
ELECTRICAL		
Standard	UL	IEC
Rated voltage	300V	450V
Rated current	15A	20A
Contact resistance	20mΩ	
Insulation resistance	500MΩ/DC500V	
Withstanding voltage	AC2000V/1Min	
MECHANICAL		
Temp. range	-40°C~+105°C	
Max. soldering	+250°C for 5 Sec	

MATERIAL		
Pin header	Brass, Sn plated	
Housing	LCP, UL94V-0	
ELECTRICAL		
Standard	UL	IEC
Rated voltage	300V	450V
Rated current	15A	20A
Contact resistance	20mΩ	
Insulation resistance	500MΩ/DC500V	
Withstanding voltage	AC2000V/1Min	
MECHANICAL		
Temp. range	-40°C~+130°C	
Max. soldering	+285°C for 10 Sec	

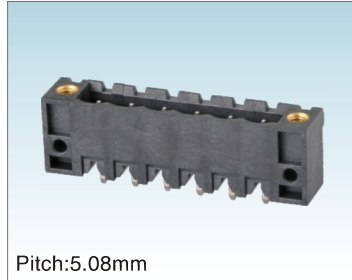




Pitch:5.08mm

WJ2EDGVC-THT-5.08

CERTIFICATION	
---------------	--



Pitch:5.08mm

WJ2EDGVM-THT-5.08

CERTIFICATION	
---------------	--



Pitch:5.08mm

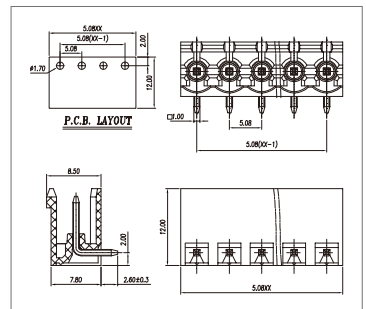
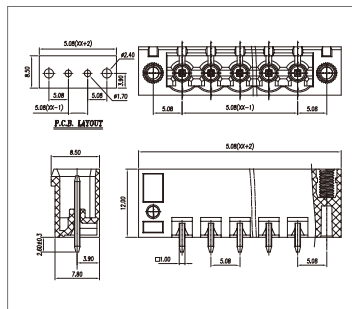
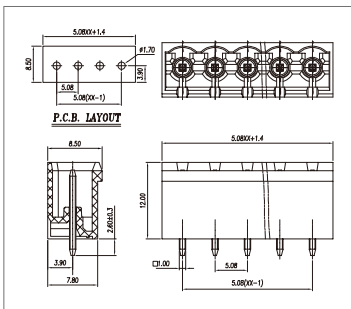
WJ2EDGR-THT-5.08

CERTIFICATION	
---------------	--

MATERIAL		
Pin header	Brass, Sn plated	
Housing	LCP, UL94V-0	
ELECTRICAL		
Standard	UL	IEC
Rated voltage	300V	450V
Rated current	15A	20A
Contact resistance	20mΩ	
Insulation resistance	500MΩ/DC500V	
Withstanding voltage	AC2000V/1Min	
MECHANICAL		
Temp. range	-40°C~+130°C	
Max. soldering	+285°C for 10 Sec	

MATERIAL		
Nut	M2.5.Brass	
Pin header	Brass, Sn plated	
Housing	LCP, UL94V-0	
ELECTRICAL		
Standard	UL	IEC
Rated voltage	300V	450V
Rated current	15A	20A
Contact resistance	20mΩ	
Insulation resistance	500MΩ/DC500V	
Withstanding voltage	AC2000V/1Min	
MECHANICAL		
Temp. range	-40°C~+130°C	
Max. soldering	+285°C for 10 Sec	

MATERIAL		
Pin header	Brass, Sn plated	
Housing	LCP, UL94V-0	
ELECTRICAL		
Standard	UL	IEC
Rated voltage	300V	450V
Rated current	15A	20A
Contact resistance	20mΩ	
Insulation resistance	500MΩ/DC500V	
Withstanding voltage	AC2000V/1Min	
MECHANICAL		
Temp. range	-40°C~+130°C	
Max. soldering	+285°C for 10 Sec	



PLUG-IN TERMINAL BLOCK



Pitch:5.08mm

WJ2EDGRC-THT-5.08

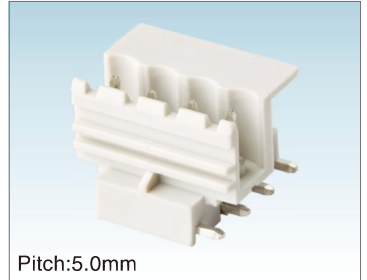
CERTIFICATION	
---------------	--



Pitch:5.08mm

WJ2EDGRM-THT-5.08

CERTIFICATION	
---------------	--



Pitch:5.0mm

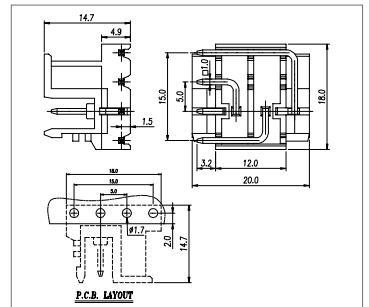
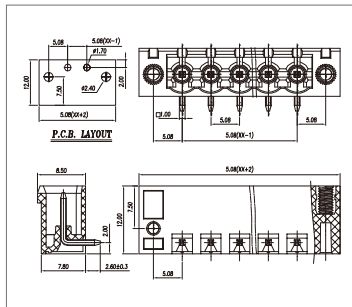
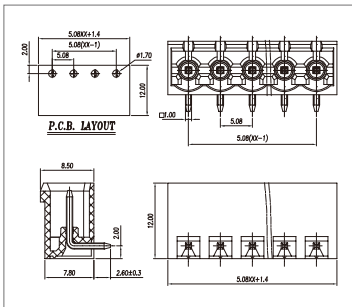
MODEL: WJ2EDGLF

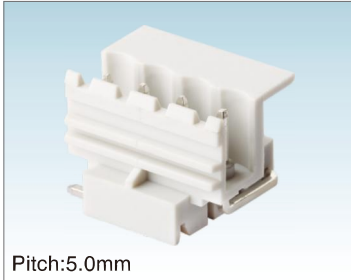
CERTIFICATION	
---------------	--

MATERIAL	
Pin header	Brass, Sn plated
Housing	LCP, UL94V-0
ELECTRICAL	
Standard	UL IEC
Rated voltage	300V 450V
Rated current	15A 20A
Contact resistance	20mΩ
Insulation resistance	500MΩ/DC500V
Withstanding voltage	AC2000V/1Min
MECHANICAL	
Temp. range	-40°C~+130°C
Max. soldering	+285°C for 10 Sec

MATERIAL	
Nut	M2.5, Brass
Pin header	Brass, Sn plated
Housing	LCP, UL94V-0
ELECTRICAL	
Standard	UL IEC
Rated voltage	300V 450V
Rated current	15A 20A
Contact resistance	20mΩ
Insulation resistance	500MΩ/DC500V
Withstanding voltage	AC2000V/1Min
MECHANICAL	
Temp. range	-40°C~+130°C
Max. soldering	+285°C for 10 Sec

MATERIAL	
Pin header	Brass, Sn plated
Housing	PA66, UL94V-0
ELECTRICAL	
Standard	UL IEC
Rated voltage	300V 450V
Rated current	15A 20A
Contact resistance	20mΩ
Insulation resistance	500MΩ/DC500V
Withstanding voltage	AC2000V/1Min
MECHANICAL	
Temp. range	-40°C~+105°C
Max. soldering	+250°C for 5 Sec

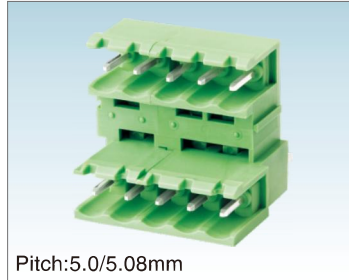




Pitch:5.0mm

MODEL: WJ2EDGRF

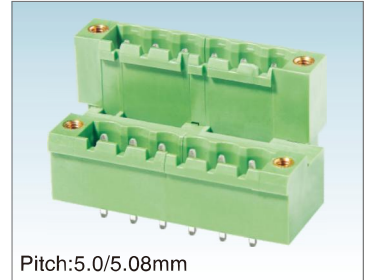
CERTIFICATION	
---------------	--



Pitch:5.0/5.08mm

MODEL: WJ2EDGVT

CERTIFICATION	
---------------	--



Pitch:5.0/5.08mm

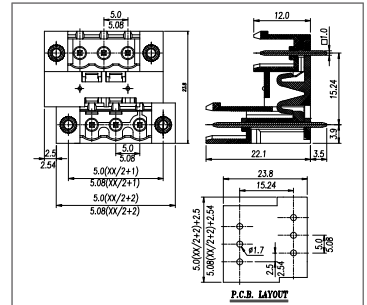
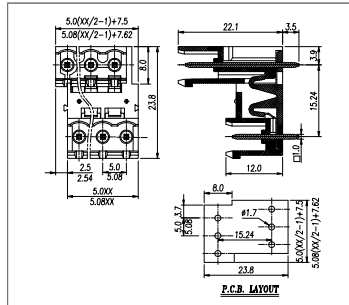
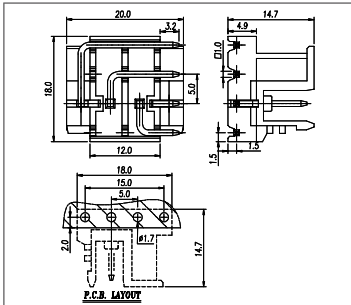
MODEL: WJ2EDGVTM

CERTIFICATION	
---------------	--

MATERIAL		
Pin header	Brass, Sn plated	
Housing	PA66, UL94V-0	
ELECTRICAL		
Standard	UL	IEC
Rated voltage	300V	450V
Rated current	15A	20A
Contact resistance	20m Ω	
Insulation resistance	500M Ω/DC500V	
Withstanding voltage	AC2000V/1Min	
MECHANICAL		
Temp. range	-40°C~+105°C	
Max. soldering	+250°C for 5 Sec	

MATERIAL		
Pin header	Brass, Sn plated	
Housing	PA66, UL94V-0	
ELECTRICAL		
Standard	UL	IEC
Rated voltage	300V	450V
Rated current	15A	20A
Contact resistance	20m Ω	
Insulation resistance	500M Ω/DC500V	
Withstanding voltage	AC2000V/1Min	
MECHANICAL		
Temp. range	-40°C~+105°C	
Max. soldering	+250°C for 5 Sec	

MATERIAL		
Nut	M2.5, Brass	
Pin header	Brass, Si plated	
Housing	PA66, UL94V-0	
ELECTRICAL		
Standard	UL	IEC
Rated voltage	300V	450V
Rated current	15A	20A
Contact resistance	20m Ω	
Insulation resistance	500M Ω/DC500V	
Withstanding voltage	AC2000V/1Min	
MECHANICAL		
Temp. range	-40°C~+105°C	
Max. soldering	+250°C for 5 Sec	

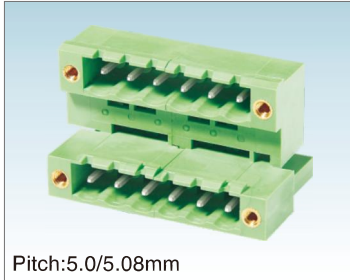




Pitch:5.0/5.08mm

MODEL: WJ2EDGRT

CERTIFICATION	
---------------	--



Pitch:5.0/5.08mm

MODEL: WJ2EDGVRTM

CERTIFICATION	
---------------	--



Pitch:5.0/5.08mm

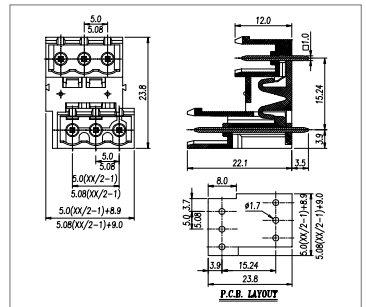
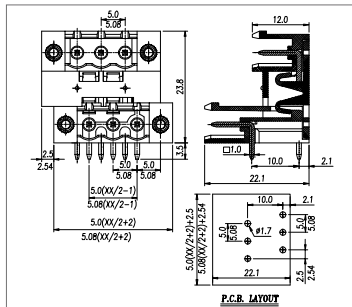
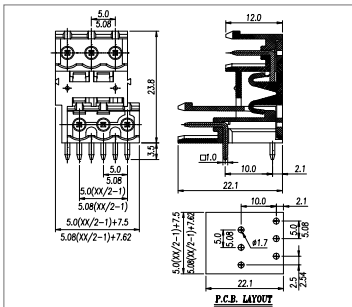
MODEL: WJ2EDGVTC

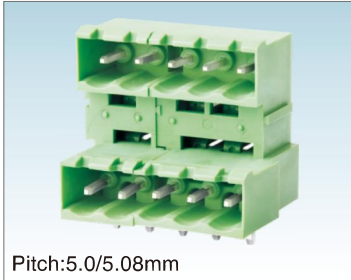
CERTIFICATION	
---------------	--

MATERIAL		
Pin header	Brass, Sn plated	
Housing	PA66, UL94V-0	
ELECTRICAL		
Standard	UL	IEC
Rated voltage	300V	450V
Rated current	15A	20A
Contact resistance	20m Ω	
Insulation resistance	500M Ω/DC500V	
Withstanding voltage	AC2000V/1Min	
MECHANICAL		
Temp. range	-40°C~+105°C	
Max. soldering	+250°C for 5 Sec	

MATERIAL		
Nut	M2.5 Brass	
Pin header	Brass, Sn plated	
Housing	PA66, UL94V-0	
ELECTRICAL		
Standard	UL	IEC
Rated voltage	300V	450V
Rated current	15A	20A
Contact resistance	20m Ω	
Insulation resistance	500M Ω/DC500V	
Withstanding voltage	AC2000V/1Min	
MECHANICAL		
Temp. range	-40°C~+105°C	
Max. soldering	+250°C for 5 Sec	

MATERIAL		
Pin header	Brass, Sn plated	
Housing	PA66, UL94V-0	
ELECTRICAL		
Standard	UL	IEC
Rated voltage	300V	450V
Rated current	15A	20A
Contact resistance	20m Ω	
Insulation resistance	500M Ω/DC500V	
Withstanding voltage	AC2000V/1Min	
MECHANICAL		
Temp. range	-40°C~+105°C	
Max. soldering	+250°C for 5 Sec	

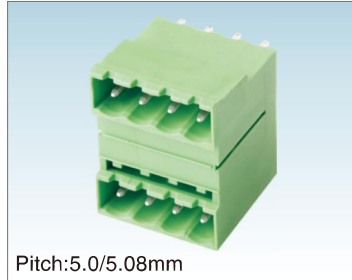




Pitch:5.0/5.08mm

MODEL: WJ2EDGRTC

CERTIFICATION	
---------------	--



Pitch:5.0/5.08mm

MODEL: WJ2EDGVH

CERTIFICATION	
---------------	--



Pitch:5.0/5.08mm

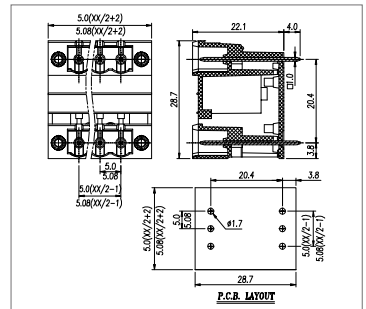
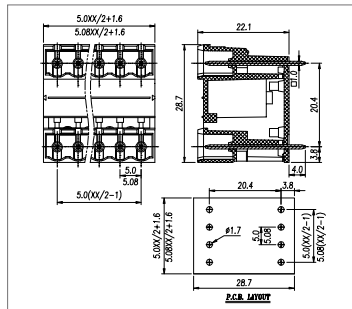
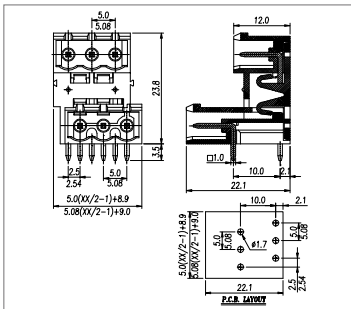
MODEL: WJ2EDGVHM

CERTIFICATION	
---------------	--

MATERIAL		
Pin header	Brass, Sn plated	
Housing	PA66, UL94V-0	
ELECTRICAL		
Standard	UL	IEC
Rated voltage	300V	450V
Rated current	15A	20A
Contact resistance	20m Ω	
Insulation resistance	500M Ω/DC500V	
Withstanding voltage	AC2000V/1Min	
MECHANICAL		
Temp. range	-40°C~+105°C	
Max. soldering	+250°C for 5 Sec	

MATERIAL		
Pin header	Brass, Sn plated	
Housing	PA66, UL94V-0	
ELECTRICAL		
Standard	UL	IEC
Rated voltage	300V	450V
Rated current	15A	20A
Contact resistance	20m Ω	
Insulation resistance	500M Ω/DC500V	
Withstanding voltage	AC2000V/1Min	
MECHANICAL		
Temp. range	-40°C~+105°C	
Max. soldering	+250°C for 5 Sec	

MATERIAL		
Nut	M2.5,Brass	
Pin header	Brass, Si plated	
Housing	PA66, UL94V-0	
ELECTRICAL		
Standard	UL	IEC
Rated voltage	300V	450V
Rated current	15A	20A
Contact resistance	20m Ω	
Insulation resistance	500M Ω/DC500V	
Withstanding voltage	AC2000V/1Min	
MECHANICAL		
Temp. range	-40°C~+105°C	
Max. soldering	+250°C for 5 Sec	



PLUG-IN TERMINAL BLOCK



Pitch:5.0/5.08mm

MODEL: WJ2EDGRH

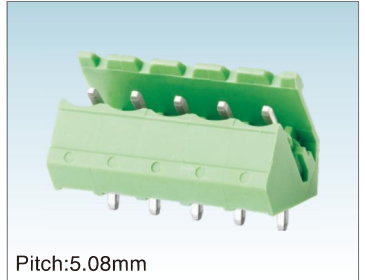
CERTIFICATION	
---------------	--



Pitch:5.0/5.08mm

MODEL: WJ2EDGRHM

CERTIFICATION	
---------------	--



Pitch:5.08mm

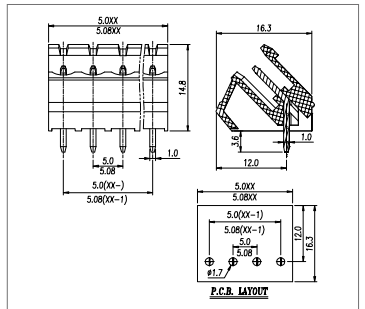
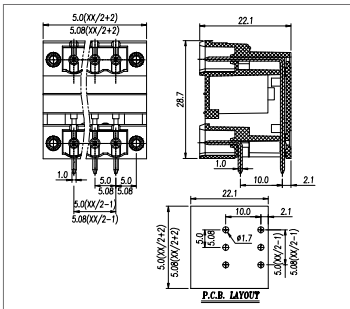
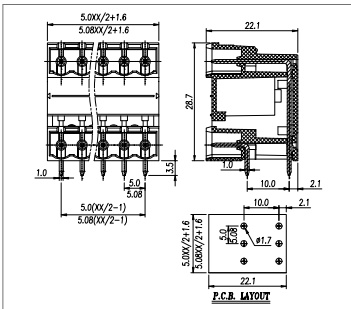
MODEL: WJ2EDGL

CERTIFICATION	
---------------	--

MATERIAL		
Pin header	Brass, Sn plated	
Housing	PA66, UL94V-0	
ELECTRICAL		
Standard	UL	IEC
Rated voltage	300V	450V
Rated current	15A	20A
Contact resistance	20mΩ	
Insulation resistance	500MΩ/DC500V	
Withstanding voltage	AC2000V/1Min	
MECHANICAL		
Temp. range	-40°C~+105°C	
Max. soldering	+250°C for 5 Sec	

MATERIAL		
Nut	M2.5.Brass	
Pin header	Brass, Si plated	
Housing	PA66, UL94V-0	
ELECTRICAL		
Standard	UL	IEC
Rated voltage	300V	450V
Rated current	15A	20A
Contact resistance	20mΩ	
Insulation resistance	500MΩ/DC500V	
Withstanding voltage	AC2000V/1Min	
MECHANICAL		
Temp. range	-40°C~+105°C	
Max. soldering	+250°C for 5 Sec	

MATERIAL		
Pin header	Brass, Sn plated	
Housing	PA66, UL94V-0	
ELECTRICAL		
Standard	UL	IEC
Rated voltage	300V	450V
Rated current	15A	20A
Contact resistance	20mΩ	
Insulation resistance	500MΩ/DC500V	
Withstanding voltage	AC2000V/1Min	
MECHANICAL		
Temp. range	-40°C~+105°C	
Max. soldering	+250°C for 5 Sec	

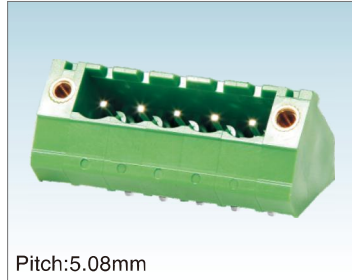




Pitch:5.08mm

MODEL: WJ2EDGLC

CERTIFICATION	
---------------	--



Pitch:5.08mm

MODEL: WJ2EDGLM

CERTIFICATION	
---------------	--



Pitch:5.08mm

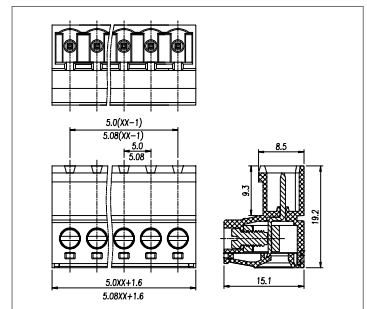
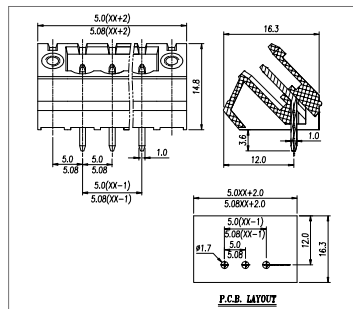
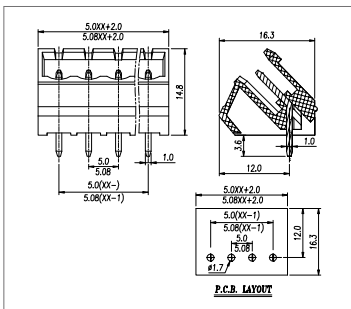
MODEL: WJ2EDGKR

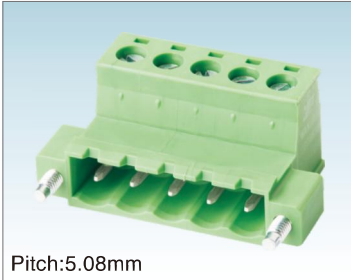
CERTIFICATION	
---------------	--

MATERIAL		
Pin header	Brass, Sn plated	
Housing	PA66, UL94V-0	
ELECTRICAL		
Standard	UL	IEC
Rated voltage	300V	450V
Rated current	15A	20A
Contact resistance	20mΩ	
Insulation resistance	500MΩ/DC500V	
Withstanding voltage	AC2000V/1Min	
MECHANICAL		
Temp. range	-40°C~+105°C	
Max. soldering	+250°C for 5 Sec	

MATERIAL		
Nut	M2.5.Brass	
Pin header	Brass, Si plated	
Housing	PA66, UL94V-0	
ELECTRICAL		
Standard	UL	IEC
Rated voltage	300V	450V
Rated current	15A	20A
Contact resistance	20mΩ	
Insulation resistance	500MΩ/DC500V	
Withstanding voltage	AC2000V/1Min	
MECHANICAL		
Temp. range	-40°C~+105°C	
Max. soldering	+250°C for 5 Sec	

MATERIAL		
Screws	M3.0 Steel Zn plated	
Conductor	Brass, Sn plated	
Cage	Brass, Ni plated	
Housing	PA66, UL94V-0	
ELECTRICAL		
Standard	UL	IEC
Rated voltage	300V	450V
Rated current	15A	20A
Wire range	28-14AWG 2.5mm ²	
Contact resistance	20mΩ	
Insulation resistance	500MΩ/DC500V	
Withstanding voltage	AC2000V/1Min	
MECHANICAL		
Temp. range	-40°C~+105°C	
Max. soldering	+250°C for 5 Sec	
Torque	5.10kgf-cm/0.5Nm/4.43Lbin	
Strip length	7-8mm	

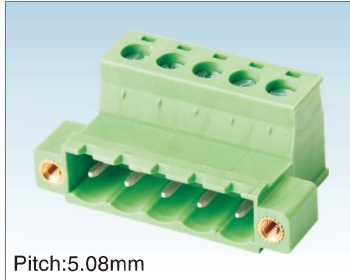




Pitch:5.08mm

MODEL: WJ2EDGKRM

CERTIFICATION	
---------------	--



Pitch:5.08mm

MODEL: WJ2EDGKRN

CERTIFICATION	
---------------	--



Pitch:5.08mm

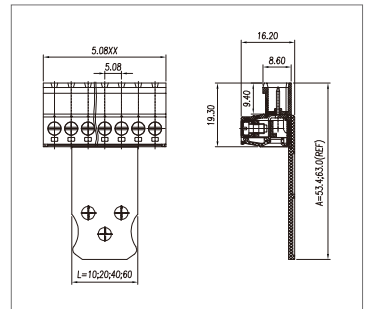
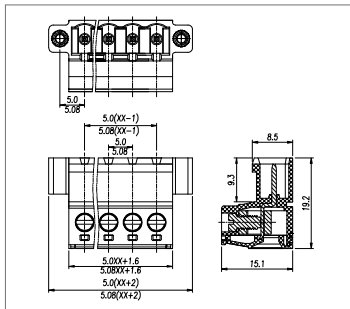
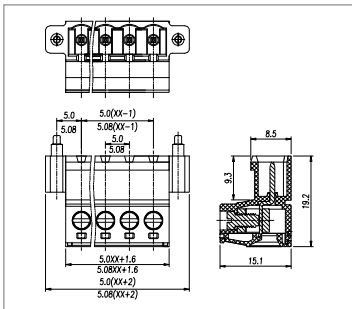
MODEL: WJ2EDGKRZ

CERTIFICATION	
---------------	--

MATERIAL		
Screws	M3.0 Steel Zn plated	
Conductor	Brass, Sn plated	
Cage	Brass, Ni plated	
Housing	PA66, UL94V-0	
ELECTRICAL		
Standard	UL	IEC
Rated voltage	300V	450V
Rated current	15A	20A
Wire range	28-14AWG	2.5mm ²
Contact resistance	20m Ω	
Insulation resistance	500M Ω/DC500V	
Withstanding voltage	AC2000V/1Min	
MECHANICAL		
Temp. range	-40°C~+105°C	
Max. soldering	+250°C for 5 Sec	
Torque	5.10kgf-cm/0.5Nm/4.43Lbin	
Strip length	7-8mm	

MATERIAL		
Screws	M4.0 Steel Zn plated	
Nut	M2.5 Brass	
Conductor	Brass, Sn plated	
Cage	Brass, Ni plated	
Housing	PA66, UL94V-0	
ELECTRICAL		
Standard	UL	IEC
Rated voltage	300V	450V
Rated current	15A	20A
Wire range	28-14AWG	2.5mm ²
Contact resistance	20m Ω	
Insulation resistance	500M Ω/DC500V	
Withstanding voltage	AC2000V/1Min	
MECHANICAL		
Temp. range	-40°C~+105°C	
Max. soldering	+250°C for 5 Sec	
Torque	5.10kgf-cm/0.5Nm/4.43Lbin	
Strip length	7-8mm	

MATERIAL		
Screws	M3.0 Steel Zn plated	
Conductor	Brass, Sn plated	
Cage	Brass, Ni plated	
Housing	PA66, UL94V-0	
ELECTRICAL		
Standard	UL	IEC
Rated voltage	300V	450V
Rated current	15A	20A
Wire range	28-14AWG	2.5mm ²
Contact resistance	20m Ω	
Insulation resistance	500M Ω/DC500V	
Withstanding voltage	AC2000V/1Min	
MECHANICAL		
Temp. range	-40°C~+105°C	
Max. soldering	+250°C for 5 Sec	
Torque	5.10kgf-cm/0.5Nm/4.43Lbin	
Strip length	7-8mm	

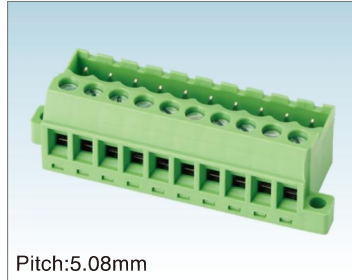




Pitch:5.08mm

MODEL: WJ2EDGKRZM

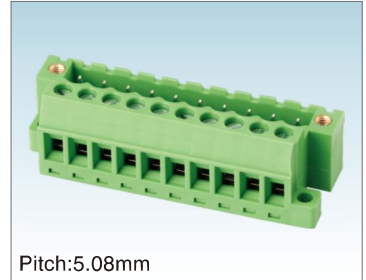
CERTIFICATION	
---------------	--



Pitch:5.08mm

WJ2EDGGB-5.08

CERTIFICATION	
---------------	--



Pitch:5.08mm

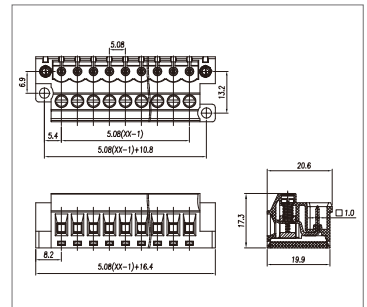
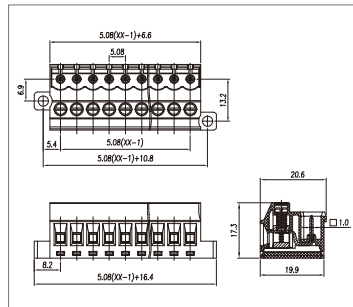
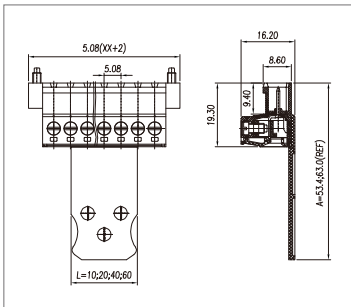
WJ2EDGGBM-5.08

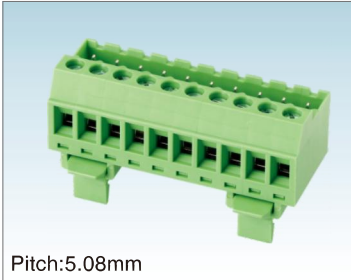
CERTIFICATION	
---------------	--

MATERIAL		
Screws	M3.0 Steel Zn plated	
Conductor	Brass, Sn plated	
Cage	Brass, Ni plated	
Housing	PA66, UL94V-0	
ELECTRICAL		
Standard	UL	IEC
Rated voltage	300V	450V
Rated current	15A	20A
Wire range	28-14AWG	2.5mm ²
Contact resistance	20mΩ	
Insulation resistance	500MΩ/DC500V	
Withstanding voltage	AC2000V/1Min	
MECHANICAL		
Temp. range	-40°C~+105°C	
Max. soldering	+250°C for 5 Sec	
Torque	5.10kgf-cm/0.5Nm/4.43Lbin	
Strip length	7-8mm	

MATERIAL		
Screws	M3.0 Steel Zn plated	
Conductor	Brass, Sn plated	
Cage	Brass, Ni plated	
Housing	PA66, UL94V-0	
ELECTRICAL		
Standard	UL	IEC
Rated voltage	300V	450V
Rated current	15A	20A
Wire range	28-14AWG	2.5mm ²
Contact resistance	20mΩ	
Insulation resistance	500MΩ/DC500V	
Withstanding voltage	AC2000V/1Min	
MECHANICAL		
Temp. range	-40°C~+105°C	
Max. soldering	+250°C for 5 Sec	
Torque	5.10kgf-cm/0.5Nm/4.43Lbin	
Strip length	7-8mm	

MATERIAL		
Screws	M3.0 Steel Zn plated	
Nut	Brass	
Conductor	Brass, Sn plated	
Cage	Brass, Ni plated	
Housing	PA66, UL94V-0	
ELECTRICAL		
Standard	UL	IEC
Rated voltage	300V	450V
Rated current	15A	20A
Wire range	28-14AWG	2.5mm ²
Contact resistance	20mΩ	
Insulation resistance	500MΩ/DC500V	
Withstanding voltage	AC2000V/1Min	
MECHANICAL		
Temp. range	-40°C~+105°C	
Max. soldering	+250°C for 5 Sec	
Torque	5.10kgf-cm/0.5Nm/4.43Lbin	
Strip length	7-8mm	

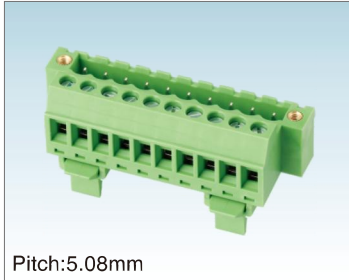




Pitch:5.08mm

WJ2EDGVK-5.08

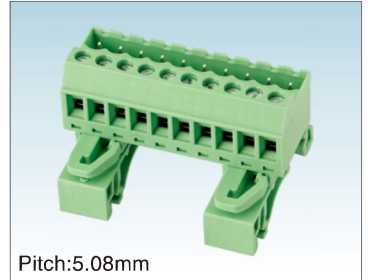
CERTIFICATION	
---------------	--



Pitch:5.08mm

WJ2EDGVKM-5.08

CERTIFICATION	
---------------	--



Pitch:5.08mm

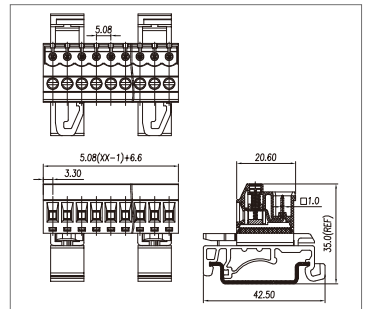
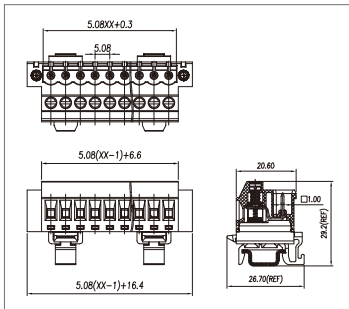
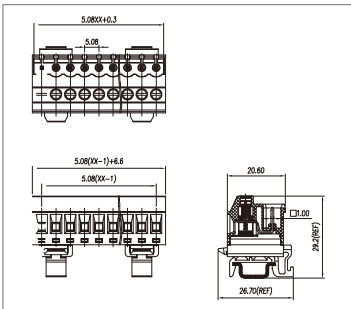
WJ2EDGUVK-5.08

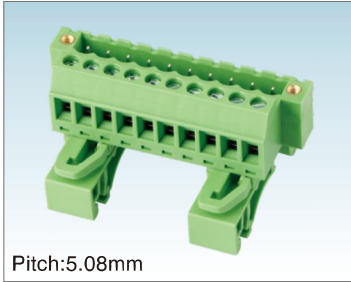
CERTIFICATION	
---------------	--

MATERIAL		
Screws	M3.0 Steel Zn plated	
Conductor	Brass, Sn plated	
Cage	Brass, Ni plated	
Housing	PA66, UL94V-0	
ELECTRICAL		
Standard	UL	IEC
Rated voltage	300V	450V
Rated current	15A	20A
Wire range	28-14AWG	2.5mm ²
Contact resistance	20mΩ	
Insulation resistance	500MΩ/DC500V	
Withstanding voltage	AC2000V/1Min	
MECHANICAL		
Temp. range	-40°C~+105°C	
Max. soldering	+250°C for 5 Sec	
Torque	5.10kgf-cm/0.5Nm/4.43Lbin	
Strip length	7-8mm	

MATERIAL		
Screws	M3.0 Steel Zn plated	
Nut	Brass	
Conductor	Brass, Sn plated	
Cage	Brass, Ni plated	
Housing	PA66, UL94V-0	
ELECTRICAL		
Standard	UL	IEC
Rated voltage	300V	450V
Rated current	15A	20A
Wire range	28-14AWG	2.5mm ²
Contact resistance	20mΩ	
Insulation resistance	500MΩ/DC500V	
Withstanding voltage	AC2000V/1Min	
MECHANICAL		
Temp. range	-40°C~+105°C	
Max. soldering	+250°C for 5 Sec	
Torque	5.10kgf-cm/0.5Nm/4.43Lbin	
Strip length	7-8mm	

MATERIAL		
Screws	M3.0 Steel Zn plated	
Conductor	Brass, Sn plated	
Cage	Brass, Ni plated	
Housing	PA66, UL94V-0	
ELECTRICAL		
Standard	UL	IEC
Rated voltage	300V	450V
Rated current	15A	20A
Wire range	28-14AWG	2.5mm ²
Contact resistance	20mΩ	
Insulation resistance	500MΩ/DC500V	
Withstanding voltage	AC2000V/1Min	
MECHANICAL		
Temp. range	-40°C~+105°C	
Max. soldering	+250°C for 5 Sec	
Torque	5.10kgf-cm/0.5Nm/4.43Lbin	
Strip length	7-8mm	

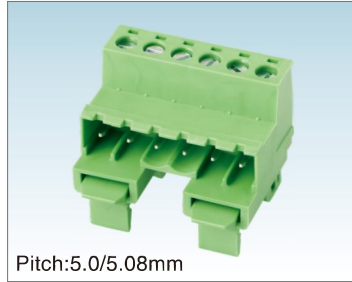




Pitch:5.08mm

WJ2EDGUVKM-5.08

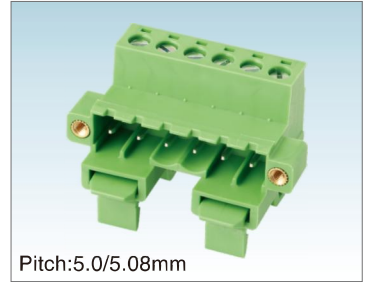
CERTIFICATION	
---------------	--



Pitch:5.0/5.08mm

WJ2EDGRK-5.0/5.08

CERTIFICATION	
---------------	--



Pitch:5.0/5.08mm

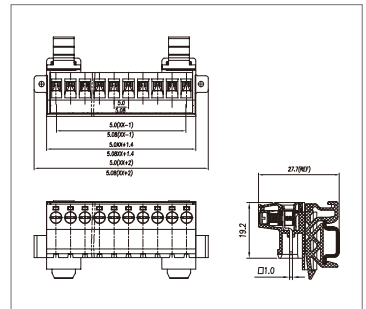
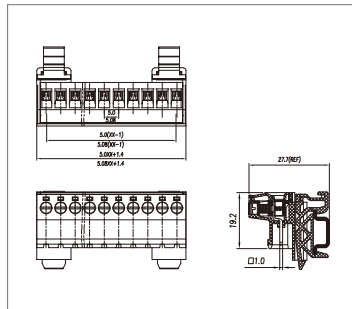
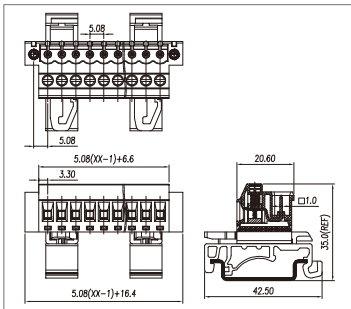
WJ2EDGRKM-5.0/5.08

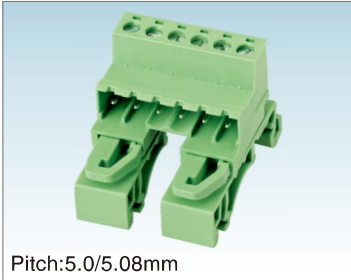
CERTIFICATION	
---------------	--

MATERIAL		
Screws	M3.0 Steel Zn plated	
Nut	Brass	
Conductor	Brass, Sn plated	
Cage	Brass, Ni plated	
Housing	PA66, UL94V-0	
ELECTRICAL		
Standard	UL	IEC
Rated voltage	300V	450V
Rated current	15A	20A
Wire range	28-14AWG	2.5mm ²
Contact resistance	20mΩ	
Insulation resistance	500MΩ/DC500V	
Withstanding voltage	AC2000V/1Min	
MECHANICAL		
Temp. range	-40°C~+105°C	
Max. soldering	+250°C for 5 Sec	
Torque	5.10kgf-cm/0.5Nm/4.43Lbin	
Strip length	7-8mm	

MATERIAL		
Screws	M3.0 Steel Zn plated	
Conductor	Brass, Sn plated	
Cage	Brass, Ni plated	
Housing	PA66, UL94V-0	
ELECTRICAL		
Standard	UL	IEC
Rated voltage	300V	450V
Rated current	15A	20A
Wire range	28-14AWG	2.5mm ²
Contact resistance	20mΩ	
Insulation resistance	500MΩ/DC500V	
Withstanding voltage	AC2000V/1Min	
MECHANICAL		
Temp. range	-40°C~+105°C	
Max. soldering	+250°C for 5 Sec	
Torque	5.10kgf-cm/0.5Nm/4.43Lbin	
Strip length	7-8mm	

MATERIAL		
Screws	M3.0 Steel Zn plated	
Nut	Brass	
Conductor	Brass, Sn plated	
Cage	Brass, Ni plated	
Housing	PA66, UL94V-0	
ELECTRICAL		
Standard	UL	IEC
Rated voltage	300V	450V
Rated current	15A	20A
Wire range	28-14AWG	2.5mm ²
Contact resistance	20mΩ	
Insulation resistance	500MΩ/DC500V	
Withstanding voltage	AC2000V/1Min	
MECHANICAL		
Temp. range	-40°C~+105°C	
Max. soldering	+250°C for 5 Sec	
Torque	5.10kgf-cm/0.5Nm/4.43Lbin	
Strip length	7-8mm	

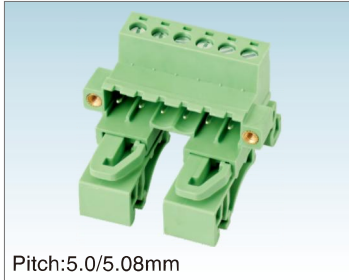




Pitch:5.0/5.08mm

WJ2EDGURK-5.0/5.08

CERTIFICATION	
---------------	--



Pitch:5.0/5.08mm

WJ2EDGURKM-5.0/5.08

CERTIFICATION	
---------------	--



Pitch:5.0mm

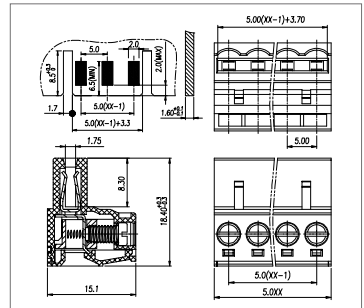
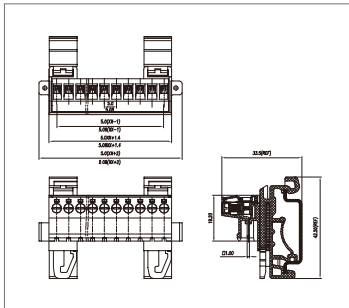
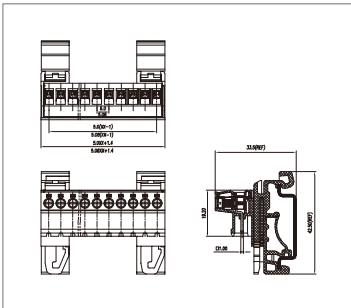
MODEL: WJ2EDGKP-5.0

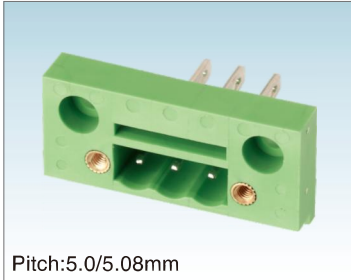
CERTIFICATION	
---------------	--

MATERIAL		
Screws	M3.0 Steel Zn plated	
Conductor	Brass, Sn plated	
Cage	Brass, Ni plated	
Housing	PA66, UL94V-0	
ELECTRICAL		
Standard	UL	IEC
Rated voltage	300V	450V
Rated current	15A	20A
Wire range	28-14AWG	2.5mm ²
Contact resistance	20m Ω	
Insulation resistance	500M Ω/DC500V	
Withstanding voltage	AC2000V/1Min	
MECHANICAL		
Temp. range	-40°C~+105°C	
Max. soldering	+250°C for 5 Sec	
Torque	5.10kgf-cm/0.5Nm/4.43Lbin	
Strip length	7-8mm	

MATERIAL		
Screws	M3.0 Steel Zn plated	
Nut	Brass	
Conductor	Brass, Sn plated	
Cage	Brass, Ni plated	
Housing	PA66, UL94V-0	
ELECTRICAL		
Standard	UL	IEC
Rated voltage	300V	450V
Rated current	15A	20A
Wire range	28-14AWG	2.5mm ²
Contact resistance	20m Ω	
Insulation resistance	500M Ω/DC500V	
Withstanding voltage	AC2000V/1Min	
MECHANICAL		
Temp. range	-40°C~+105°C	
Max. soldering	+250°C for 5 Sec	
Torque	5.10kgf-cm/0.5Nm/4.43Lbin	
Strip length	7-8mm	

MATERIAL		
Screws	M3.0 Steel Zn plated	
Clamp	Phosphor bronze, Ni plated	
Cage	Brass, Ni plated	
Housing	PA66, UL94V-0	
ELECTRICAL		
Standard	UL	IEC
Rated voltage	300V	450V
Rated current	10A	20A
Wire range	28-14AWG	2.5mm ²
Contact resistance	20m Ω	
Insulation resistance	500M Ω/DC500V	
Withstanding voltage	AC2000V/1Min	
MECHANICAL		
Temp. range	-40°C~+105°C	
Max. soldering	+250°C for 5 Sec	
Torque	5.10kgf-cm/0.5Nm/4.43Lbin	
Strip length	7-8mm	





Pitch:5.0/5.08mm

MODEL: WJ2CDGM

CERTIFICATION	
---------------	--



Pitch:3.96mm

MODEL: HT396K

CERTIFICATION	
---------------	--



Pitch:3.96mm

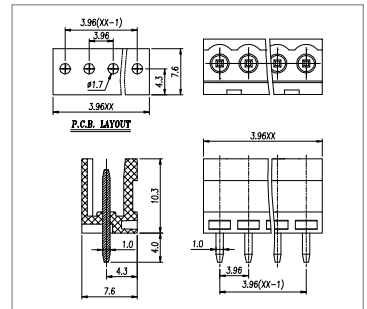
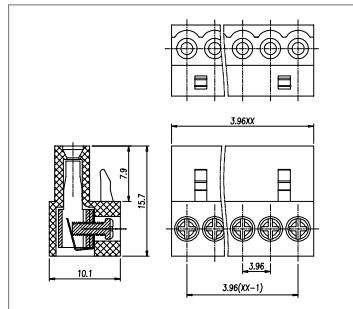
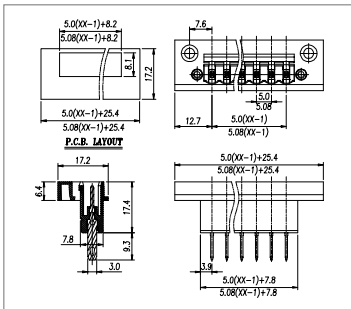
MODEL: HT396V

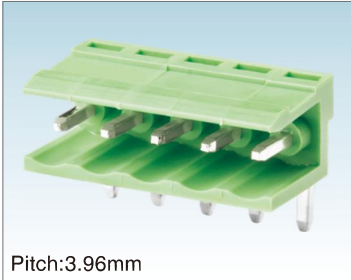
CERTIFICATION	
---------------	--

MATERIAL		
Nut	M2.5,Brass	
Pin header	Brass, Si plated	
Housing	PA66, UL94V-0	
ELECTRICAL		
Standard	UL	IEC
Rated voltage	300V	450V
Rated current	15A	20A
Contact resistance	20mΩ	
Insulation resistance	500MΩ/DC500V	
Withstanding voltage	AC2000V/1Min	
MECHANICAL		
Temp. range	-40°C~+105°C	
Max. soldering	+250°C for 5 Sec	

MATERIAL		
Screws	M2.0 Steel Zn plated	
Clamp	Brass, Ni plated	
Shrapnel	Brass, Ni plated	
Housing	PA66, UL94V-0	
ELECTRICAL		
Standard	UL	IEC
Rated voltage	300V	250V
Rated current	8A	15A
Wire range	26-16AWG	1.5mm ²
Contact resistance	20mΩ	
Insulation resistance	500MΩ/DC500V	
Withstanding voltage	AC2000V/1Min	
MECHANICAL		
Temp. range	-40°C~+105°C	
Max. soldering	+250°C for 5 Sec	
Torque	2.04kgf-cm/0.2Nm/1.77Lbin	
Strip length	6-7mm	

MATERIAL		
Pin header	Brass, Sn plated	
Housing	PA66, UL94V-0	
ELECTRICAL		
Standard	UL	IEC
Rated voltage	300V	250V
Rated current	8A	15A
Contact resistance	20mΩ	
Insulation resistance	500MΩ/DC500V	
Withstanding voltage	AC2000V/1Min	
MECHANICAL		
Temp. range	-40°C~+105°C	
Max. soldering	+250°C for 5 Sec	





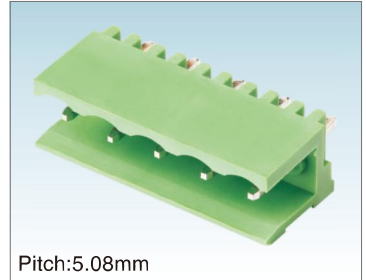
Pitch:3.96mm

MODEL: HT396R



Pitch:5.08mm

MODEL: HT508K



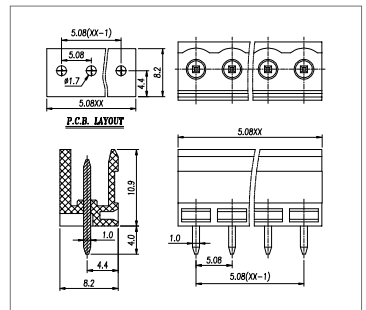
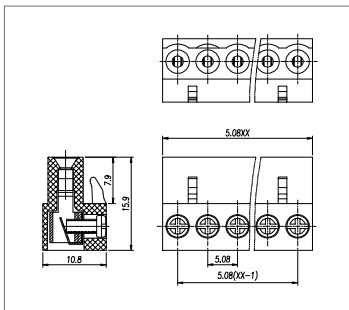
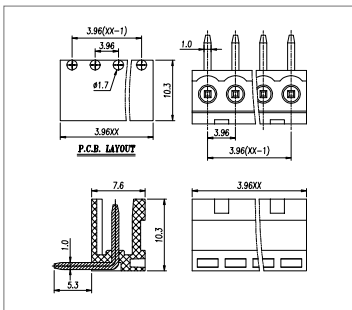
Pitch:5.08mm

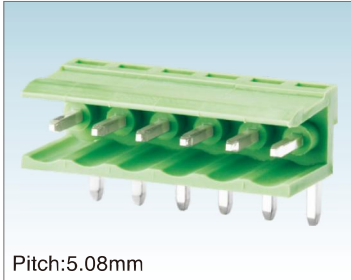
MODEL: HT508V

MATERIAL		
Pin header	Brass, Sn plated	
Housing	PA66, UL94V-0	
ELECTRICAL		
Standard	UL	IEC
Rated voltage	300V	250V
Rated current	8A	15A
Contact resistance	20m Ω	
Insulation resistance	500M Ω/DC500V	
Withstanding voltage	AC2000V/1Min	
MECHANICAL		
Temp. range	-40°C~+105°C	
Max. soldering	+250°C for 5 Sec	

MATERIAL		
Screws	M2.5 Steel Zn plated	
Clamp	Brass, Ni plated	
Shrapnel	Brass, Ni plated	
Housing	PA66, UL94V-0	
ELECTRICAL		
Standard	UL	IEC
Rated voltage	300V	450V
Rated current	10A	15A
Wire range	22~14AWG	2.5mm ²
Contact resistance	20m Ω	
Insulation resistance	500M Ω/DC500V	
Withstanding voltage	AC2000V/1Min	
MECHANICAL		
Temp. range	-40°C~+105°C	
Max. soldering	+250°C for 5 Sec	
Torque	4.08kgf-cm(0.4Nm)/3.54Lbin	
Strip length	6~7mm	

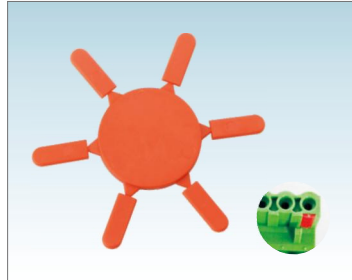
MATERIAL		
Pin header	Brass, Sn plated	
Housing	PA66, UL94V-0	
ELECTRICAL		
Standard	UL	IEC
Rated voltage	300V	250V
Rated current	8A	15A
Contact resistance	20m Ω	
Insulation resistance	500M Ω/DC500V	
Withstanding voltage	AC2000V/1Min	
MECHANICAL		
Temp. range	-40°C~+105°C	
Max. soldering	+250°C for 5 Sec	



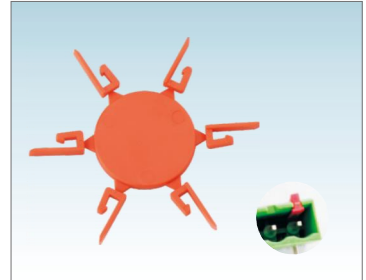


Pitch:5.08mm

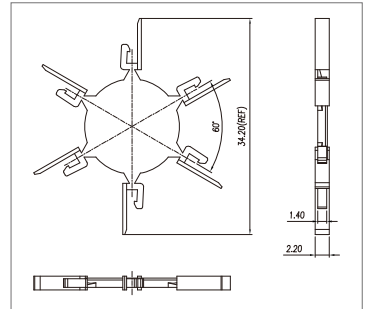
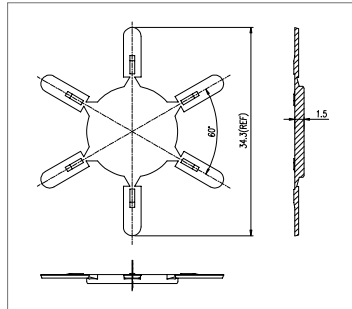
MODEL: HT508R



MODEL: WJ2EDG-PWI



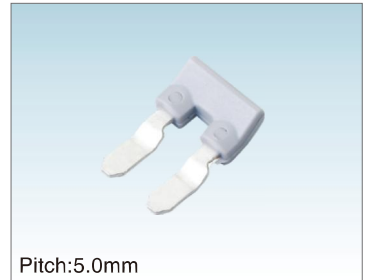
MODEL: WJ2EDG-PWP



MATERIAL	
Pin header	Brass, Sn plated
Housing	PA66, UL94V-0
ELECTRICAL	
Standard	UL IEC
Rated voltage	300V 250V
Rated current	8A 15A
Contact resistance	20mΩ
Insulation resistance	500MΩ/DC500V
Withstanding voltage	AC2000V/1Min
MECHANICAL	
Temp. range	-40°C~+105°C
Max. soldering	+250°C for 5 Sec

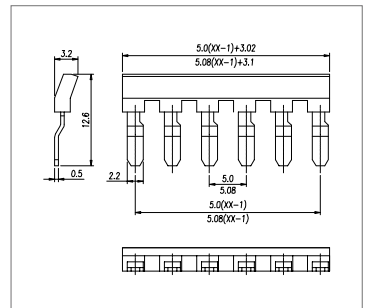
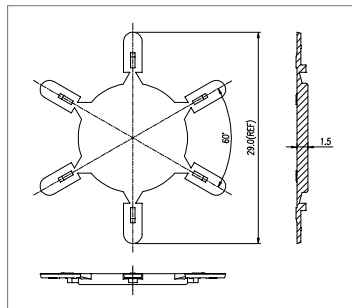
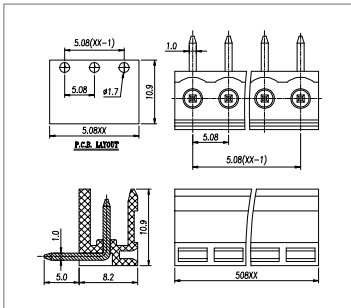


MODEL: WJ15EDG-PWP



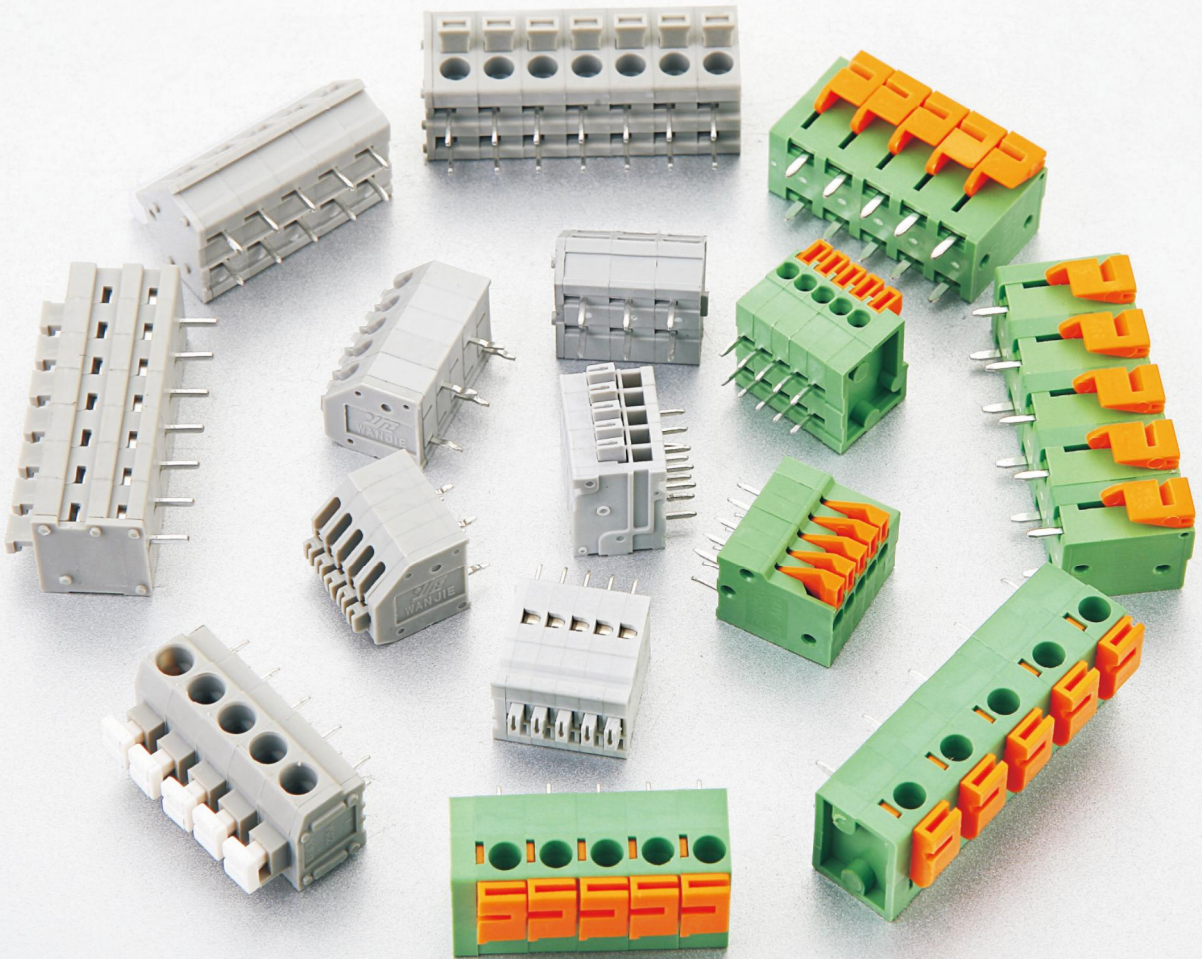
Pitch:5.0mm

MODEL: WJ2SCP-5.0



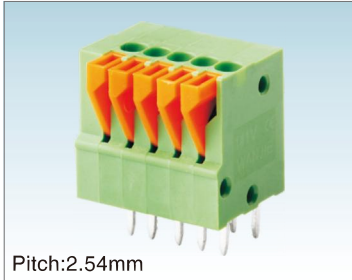
Plug-in Type Product Matched Reference Table

PCB Headers	WJ15ED GVC-2.5	WJ15EDGV HB-THT-3.50	WJ15EDGV HBM-THT-3.50	WJ15EDGV HBN-THT-3.50	WJ15ED GKR-3.81	WJ15ED GKRM-3.81	WJ15ED GKRN-3.81	WJ15ED GVC-3.5/3.81	WJ15ED GVM-3.5/3.81	WJ15CD GV-3.81	WJ15ED GVT-3.5/3.81	WJ15EDG VTM-3.5/3.81	WJ15ED GVH-3.5/3.81	WJ15EDG VHM-3.5/3.81
	WJ15ED GRC-2.5	WJ15EDGR HB-THT-3.50	WJ15EDGR HBM-THT-3.50	WJ15EDGR HBN-THT-3.50				WJ15ED GRC-3.5/3.81	WJ15ED GRM-3.5/3.81		WJ15ED GRT-3.5/3.81	WJ15EDG RTM-3.5/3.81	WJ15ED GRH-3.5/3.81	WJ15EDG RHM-3.5/3.81
	WJ15ED GVH-2.5													
	WJ15ED GRH-2.5													
Plugs														
WJ15EDGKD-2.5	●													
WJ15EDGKN-3.50		●												
WJ15EDGKNG-3.50			●											
WJ15EDGKNM-3.50				●										
WJ15EDGK-3.5/3.81					●			●			●		●	
WJ15EDGKM-3.5/3.81							●		●	●		●		●
WJ15EDGKA-3.81					●			●		●	●		●	
WJ15EDGKAM-3.81							●		●	●		●		●
WJ15EDGKB-3.81					●			●		●	●		●	
WJ15EDGKBM-3.81							●		●	●		●		●
WJ15EDGKC-3.81					●			●		●	●		●	
WJ15EDGKCM-3.81							●		●	●		●		●
WJ15EDGKD-3.5/3.81					●			●		●	●		●	
WJ15EDGKDM-3.5/3.81							●		●	●		●		●
WJ15EDGA-3.81					●									
WJ15EDGB-3.81					●									
WJ15EDGAM-3.81						●				●				
WJ15EDGBM-3.81						●				●				
WJ2EDGK-5.0/5.08														
WJ2EDGK-7.50/7.62														
WJ2EDGK-10.0/10.16														
WJ2EDGKM-5.0/5.08														
WJ2EDGKM-7.50/7.62														
WJ2EDGKM-10.0/10.16														
WJ2EDGKA-5.0/5.08														
WJ2EDGKA-7.50/7.62														
WJ2EDGKAM-5.0/5.08														
WJ2EDGKAM-7.50/7.62														
WJ2EDGKB-5.0/5.08														
WJ2EDGKB-7.50/7.62														
WJ2EDGKBM-5.0/5.08														
WJ2EDGKBM-7.50/7.62														
WJ2EDGKC-5.0/5.08														
WJ2EDGKCM-5.0/5.08														
WJ2EDGKD-5.08														
WJ2EDGKDM-5.08														
WJ2EDGKF-5.0														
WJ2EDGKZ-5.0/5.08														
WJ2EDGKL-5.0/5.08														
WJ2EDGKLM-5.0/5.08														
WJ2EDGA-5.08														
WJ2EDGAM-5.08														
WJ2EDGB-5.08														
WJ2EDGBM-5.08														
HT396K-3.96														
HT508K-5.08														



PCB SPRING TERMINAL BLOCK

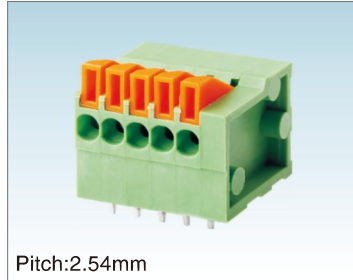
PCB Spring terminal blocks, available with two connection methods cage clamp contact and dish clamp contact. Provide the wire size from 0.08mm² to 10mm², Available with different pitches from 2.54mm to 10.0mm. It can be used instead of printed circuit universal screw terminal blocks, more flexible. The product is designed in accordance with IEC 60998, UL1059, CSA C22.2 NO.158 standards.



Pitch:2.54mm

MODEL: WJ141V

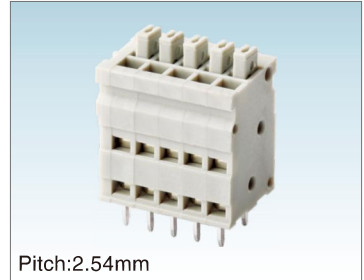
CERTIFICATION	UL CE
---------------	---------------------



Pitch:2.54mm

MODEL: WJ141R

CERTIFICATION	UL CE
---------------	---------------------



Pitch:2.54mm

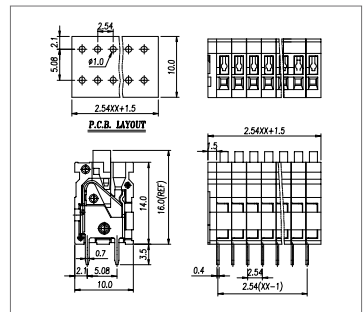
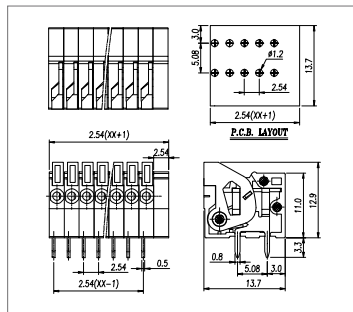
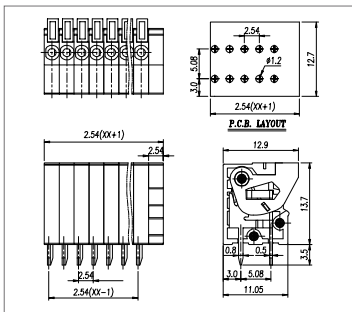
MODEL: WJ211V-2.54

CERTIFICATION	UL
---------------	-----------

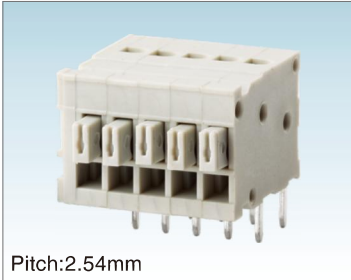
MATERIAL		
Wire guard	Stainless steel	
Pin header	Brass, Sn plated	
Housing	PA66, UL94V-0	
ELECTRICAL		
Standard	UL	IEC
Rated voltage	150V	130V
Rated current	2A	6A
Wire range	26-18AWG	1.0mm ²
Contact resistance	20mΩ	
Insulation resistance	500MΩ/DC500V	
Withstanding voltage	AC1300V/1Min	
MECHANICAL		
Temp. range	-40°C~+105°C	
Max. soldering	+250°C 5 Sec	
Strip length	9-10mm	

MATERIAL		
Wire guard	Stainless steel	
Pin header	Brass, Sn plated	
Housing	PA66, UL94V-0	
ELECTRICAL		
Standard	UL	IEC
Rated voltage	150V	130V
Rated current	2A	6A
Wire range	26-18AWG	1.0mm ²
Contact resistance	20mΩ	
Insulation resistance	500MΩ/DC500V	
Withstanding voltage	AC1300V/1Min	
MECHANICAL		
Temp. range	-40°C~+105°C	
Max. soldering	+250°C 5 Sec	
Strip length	9-10mm	

MATERIAL		
Wire guard	Stainless steel	
Pin header	Brass, Sn plated	
Housing	PA66, UL94V-0	
ELECTRICAL		
Standard	UL	IEC
Rated voltage	150V	130V
Rated current	5A	6A
Wire range	26-18AWG	1.0mm ²
Contact resistance	20mΩ	
Insulation resistance	500MΩ/DC500V	
Withstanding voltage	AC1300V/1Min	
MECHANICAL		
Temp. range	-40°C~+105°C	
Max. soldering	+250°C 5 Sec	
Strip length	9-10mm	



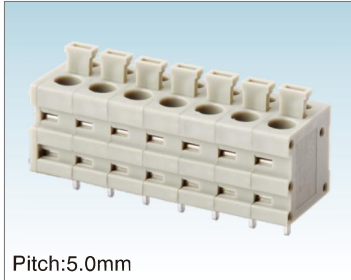
PCB SPRING TERMINAL BLOCK



Pitch:2.54mm

MODEL: WJ211R-2.54

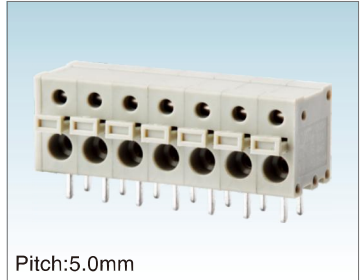
CERTIFICATION	
---------------	--



Pitch:5.0mm

MODEL: WJ211V-5.0

CERTIFICATION	
---------------	--



Pitch:5.0mm

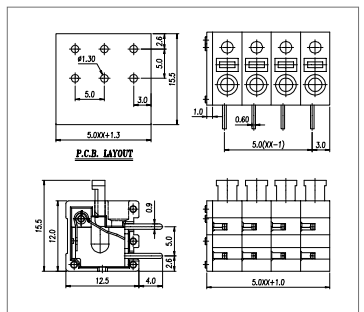
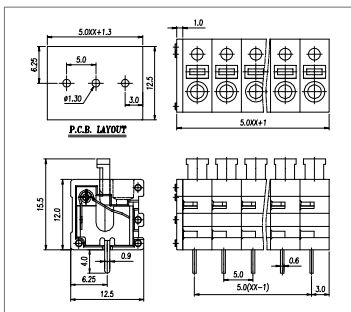
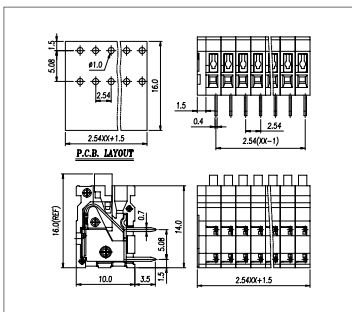
MODEL: WJ211R-5.0

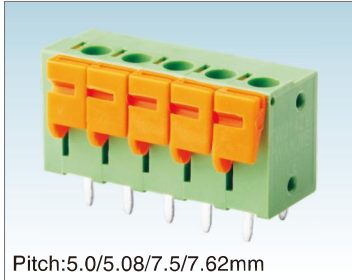
CERTIFICATION	
---------------	--

MATERIAL		
Wire guard	Stainless steel	
Pin header	Brass, Sn plated	
Housing	PA66, UL94V-0	
ELECTRICAL		
Standard	UL	IEC
Rated voltage	150V	130V
Rated current	5A	6A
Wire range	26-18AWG	1.0mm ²
Contact resistance	20mΩ	
Insulation resistance	500MΩ/DC500V	
Withstanding voltage	AC1300V/1Min	
MECHANICAL		
Temp. range	-40°C~+105°C	
Max. soldering	+250°C 5 Sec	
Strip length	9-10mm	

MATERIAL		
Wire guard	Stainless steel	
Pin header	Brass, Sn plated	
Housing	PA66, UL94V-0	
ELECTRICAL		
Standard	UL	IEC
Rated voltage	300V	250V
Rated current	10A	15A
Wire range	26-16AWG	1.5mm ²
Contact resistance	20mΩ	
Insulation resistance	500MΩ/DC500V	
Withstanding voltage	AC2000V/1Min	
MECHANICAL		
Temp. range	-40°C~+105°C	
Max. soldering	+250°C 5 Sec	
Strip length	8-9mm	

MATERIAL		
Wire guard	Stainless steel	
Pin header	Brass, Sn plated	
Housing	PA66, UL94V-0	
ELECTRICAL		
Standard	UL	IEC
Rated voltage	300V	250V
Rated current	10A	15A
Wire range	26-16AWG	1.5mm ²
Contact resistance	20mΩ	
Insulation resistance	500MΩ/DC500V	
Withstanding voltage	AC2000V/1Min	
MECHANICAL		
Temp. range	-40°C~+105°C	
Max. soldering	+250°C 5 Sec	
Strip length	8-9mm	

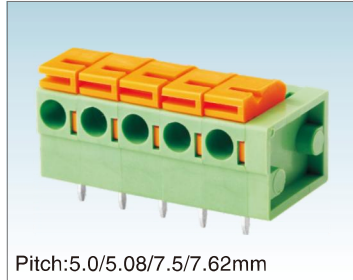




Pitch:5.0/5.08/7.5/7.62mm

MODEL: WJ142V

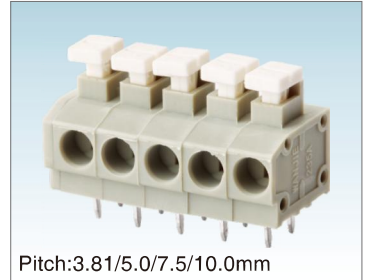
CERTIFICATION	
---------------	--



Pitch:5.0/5.08/7.5/7.62mm

MODEL: WJ142R

CERTIFICATION	
---------------	--



Pitch:3.81/5.0/7.5/10.0mm

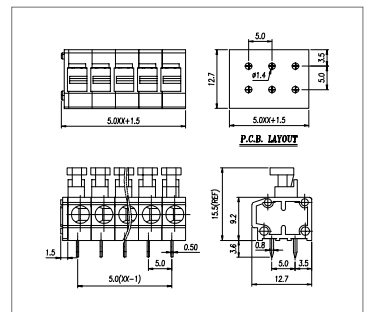
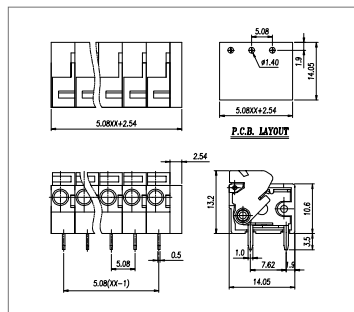
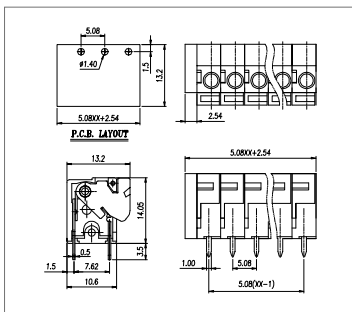
MODEL: WJ235A

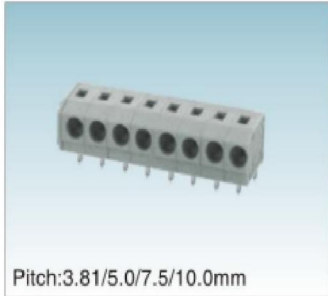
CERTIFICATION	
---------------	--

MATERIAL		
Wire guard	Stainless steel	
Pin header	Brass, Sn plated	
Housing	PA66, UL94V-0	
ELECTRICAL		
Standard	UL	IEC
Rated voltage	300V	250V
Rated current	10A	15A
Wire range	22-16AWG	1.5mm ²
Contact resistance	20mΩ	
Insulation resistance	500MΩ/DC500V	
Withstanding voltage	AC2000V/1Min	
MECHANICAL		
Temp. range	-40°C~+105°C	
Max. soldering	+250°C 5 Sec	
Strip length	9-10mm	

MATERIAL		
Wire guard	Stainless steel	
Pin header	Brass, Sn plated	
Housing	PA66, UL94V-0	
ELECTRICAL		
Standard	UL	IEC
Rated voltage	300V	250V
Rated current	10A	15A
Wire range	22-16AWG	1.5mm ²
Contact resistance	20mΩ	
Insulation resistance	500MΩ/DC500V	
Withstanding voltage	AC2000V/1Min	
MECHANICAL		
Temp. range	-40°C~+105°C	
Max. soldering	+250°C 5 Sec	
Strip length	9-10mm	

MATERIAL		
Wire guard	Stainless steel	
Pin header	Brass, Sn plated	
Housing	PA66, UL94V-0	
ELECTRICAL		
Standard	UL	IEC
Rated voltage	300V	250V
Rated current	5A	15A
Wire range	22-18AWG	1.0mm ²
Contact resistance	20mΩ	
Insulation resistance	500MΩ/DC500V	
Withstanding voltage	AC2000V/1Min	
MECHANICAL		
Temp. range	-40°C~+105°C	
Max. soldering	+250°C 5 Sec	
Strip length	9-10mm	





Pitch:3.81/5.0/7.5/10.0mm

MODEL: WJ235B

CERTIFICATION	
---------------	--



Pitch:2.5mm

MODEL: WJ250-2.5

CERTIFICATION	
---------------	--



Pitch:3.5mm

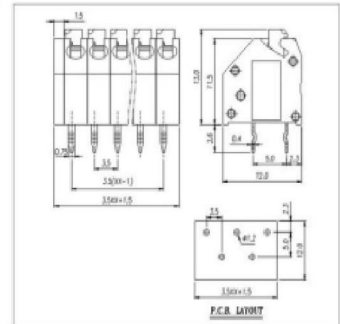
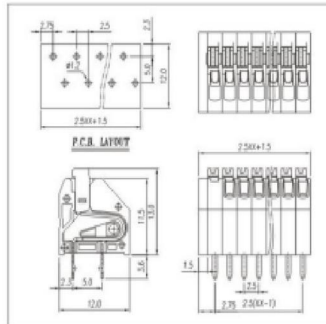
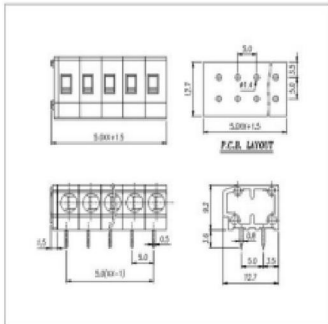
MODEL: WJ250-3.5

CERTIFICATION	
---------------	--

MATERIAL		
Wire guard	Stainless steel	
Pin header	Brass, Sn plated	
Housing	PA66, UL94V-0	
ELECTRICAL		
Standard	UL	IEC
Rated voltage	300V	250V
Rated current	5A	15A
Wire range	22-18AWG	1.0mm ²
Contact resistance	20mΩ	
Insulation resistance	500MΩ/DC500V	
Withstanding voltage	AC200V/1Min	
MECHANICAL		
Temp. range	-40°C~+105°C	
Max. soldering	+250°C 5 Sec	
Strip length	9-10mm	

MATERIAL		
Pin header	Phosphor bronze, Sn plated	
Housing	PA66, UL94V-0	
ELECTRICAL		
Standard	UL	IEC
Rated voltage	300V	250V
Rated current	4A	6A
Wire range	28-20AWG	0.5mm ²
Contact resistance	20mΩ	
Insulation resistance	500MΩ/DC500V	
Withstanding voltage	AC200V/1Min	
MECHANICAL		
Temp. range	-40°C~+105°C	
Max. soldering	+250°C 5 Sec	
Strip length	9-10mm	

MATERIAL		
Pin header	Phosphor bronze, Sn plated	
Housing	PA66, UL94V-0	
ELECTRICAL		
Standard	UL	IEC
Rated voltage	300V	450V
Rated current	7A	8A
Wire range	26-16AWG	1.5mm ²
Contact resistance	20mΩ	
Insulation resistance	500MΩ/DC500V	
Withstanding voltage	AC200V/1Min	
MECHANICAL		
Temp. range	-40°C~+105°C	
Max. soldering	+250°C 5 Sec	
Strip length	9-10mm	

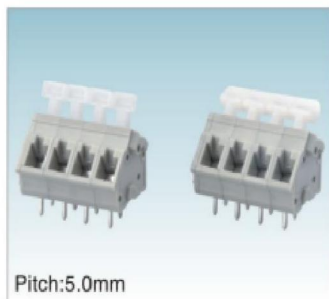




Pitch:3.81/5.0/7.5mm

MODEL: WJ236

CERTIFICATION



Pitch:5.0mm

MODEL: WJ243A

CERTIFICATION



Pitch:5.0/5.08/7.5/7.62mm

MODEL: WJ245-5.0/5.08/7.5/7.62

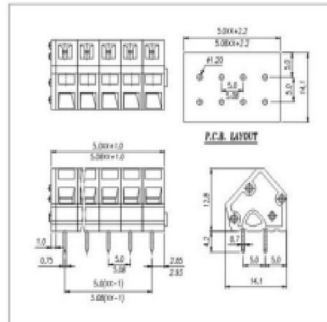
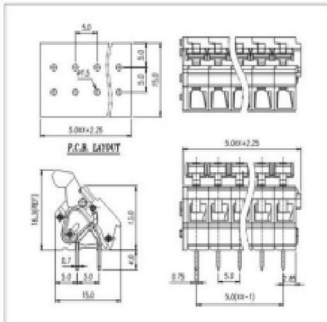
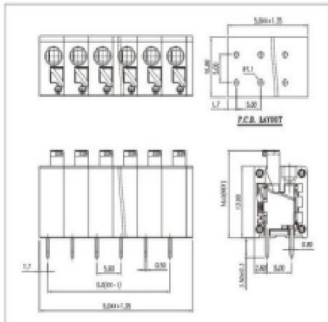
CERTIFICATION

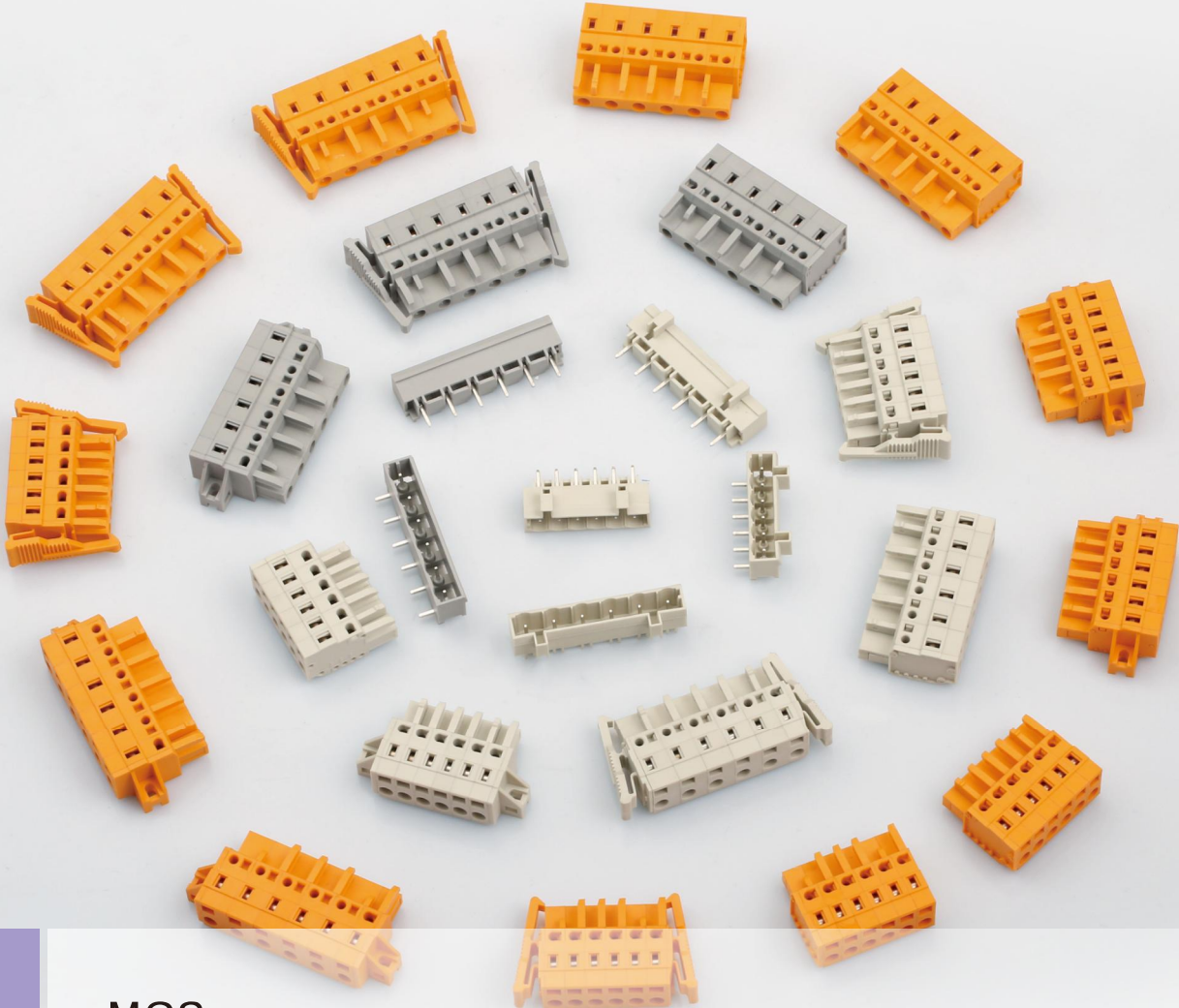


MATERIAL	
Wire guard	Stainless steel
Pin header	Brass, Sn plated
Housing	PA66, UL94V-0
ELECTRICAL	
Standard	UL IEC
Rated voltage	300V 250V
Rated current	8A 12A
Wire range	22-16AWG 1.5mm ²
Contact resistance	20mΩ
Insulation resistance	500MΩ/DC500V
Withstanding voltage	AC2000V/1Min
MECHANICAL	
Temp. range	-40°C~+105°C
Max. soldering	+250°C 5 Sec
Strip length	9-10mm

MATERIAL	
Wire guard	Stainless steel
Pin header	Brass, Sn plated
Housing	PA66, UL94V-0
ELECTRICAL	
Standard	UL IEC
Rated voltage	300V 450V
Rated current	10A 15A
Wire range	26-14AWG 1.5mm ²
Contact resistance	20mΩ
Insulation resistance	500MΩ/DC500V
Withstanding voltage	AC2000V/1Min
MECHANICAL	
Temp. range	-40°C~+105°C
Max. soldering	+250°C 5 Sec
Strip length	5-6mm

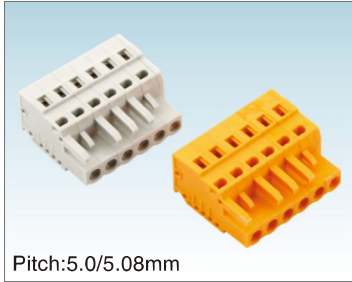
MATERIAL	
Wire guard	Stainless steel
Pin header	Brass, Sn plated
Housing	PA66, UL94V-0
ELECTRICAL	
Standard	UL IEC
Rated voltage	300V 450V
Rated current	10A 15A
Wire range	26-14AWG 1.5mm ²
Contact resistance	20mΩ
Insulation resistance	500MΩ/DC500V
Withstanding voltage	AC2000V/1Min
MECHANICAL	
Temp. range	-40°C~+105°C
Max. soldering	+250°C 5 Sec
Strip length	5-6mm





MCS TERMINAL BLOCK

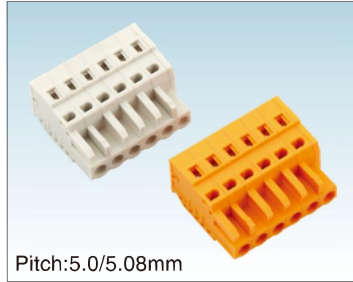
The MCS terminal Block uses elastic steel with metallic bending technology, thus the clamp can hold the wire tightly without loosening. The advantage of using a clamp greatly decreases wiring time, provides ant vibration, low maintenance and high reliability. Our design can be matched with many of our accessories. Coding is used to make wiring easy. A strain relief is provided to help secure the plug into the socket, providing better reliability from disconnecting. We offer pitches: 2.5mm up to 7.62mm and Pole sizes : 2P up to 24 P. The product is designed in accordance with IEC 60998, UL1069, CSA22.2NO.158 standards.



Pitch:5.0/5.08mm

MODEL: WJ0401/0501-01XX

CERTIFICATION	
---------------	--



Pitch:5.0/5.08mm

MODEL: WJ0401/0501-02XX

CERTIFICATION	
---------------	--



Pitch:5.0/5.08mm

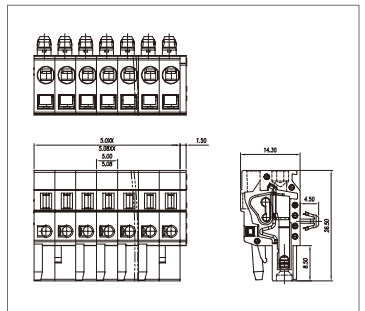
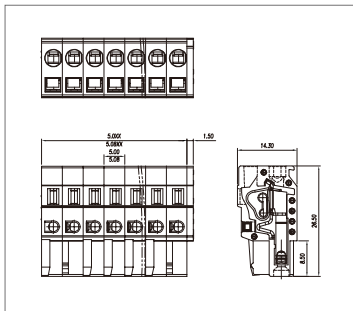
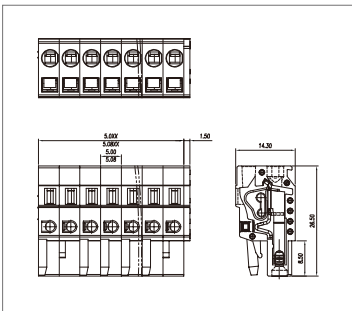
MODEL: WJ0401/0501-03XX

CERTIFICATION	
---------------	--

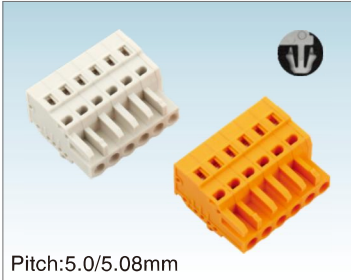
MATERIAL		
Shrapnel	Stainless steel	
Clamp	Copper alloy, Sn plated	
Housing	PA66, UL94V-0	
ELECTRICAL		
Standard	UL	IEC
Rated voltage	300V	250V
Rated current	15A	16A
Wire range	22-14AWG	2.5mm ²
Contact resistance	20mΩ	
Insulation resistance	500MΩ/DC500V	
Withstanding voltage	AC2000V/1Min	
MECHANICAL		
Temp. range	-40°C~+105°C	
Strip length	8-9mm	

MATERIAL		
Shrapnel	Stainless steel	
Clamp	Copper alloy, Sn plated	
Housing	PA66, UL94V-0	
ELECTRICAL		
Standard	UL	IEC
Rated voltage	300V	250V
Rated current	15A	16A
Wire range	22-14AWG	2.5mm ²
Contact resistance	20mΩ	
Insulation resistance	500MΩ/DC500V	
Withstanding voltage	AC2000V/1Min	
MECHANICAL		
Temp. range	-40°C~+105°C	
Strip length	8-9mm	

MATERIAL		
Shrapnel	Stainless steel	
Clamp	Copper alloy, Sn plated	
Housing	PA66, UL94V-0	
ELECTRICAL		
Standard	UL	IEC
Rated voltage	300V	250V
Rated current	15A	16A
Wire range	22-14AWG	2.5mm ²
Contact resistance	20mΩ	
Insulation resistance	500MΩ/DC500V	
Withstanding voltage	AC2000V/1Min	
MECHANICAL		
Temp. range	-40°C~+105°C	
Strip length	8-9mm	

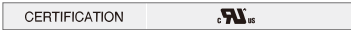


MCS TERMINAL BLOCK



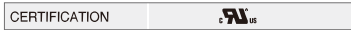
Pitch:5.0/5.08mm

MODEL: WJ0401/0501-04XX



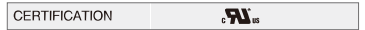
Pitch:5.0/5.08mm

MODEL: WJ0401/0501-05XX



Pitch:5.0/5.08mm

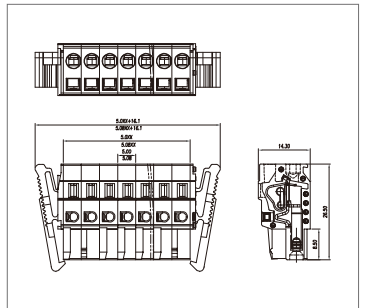
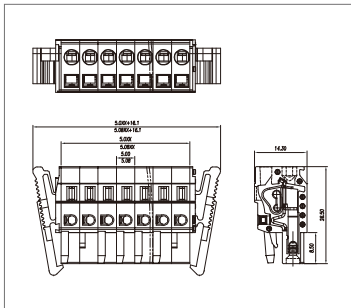
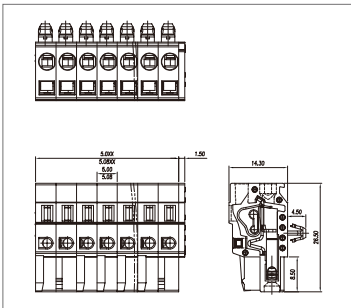
MODEL: WJ0401/0501-06XX

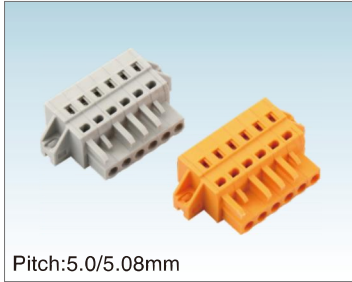


MATERIAL		
Shrapnel	Stainless steel	
Clamp	Copper alloy, Sn plated	
Housing	PA66, UL94V-0	
ELECTRICAL		
Standard	UL	IEC
Rated voltage	300V	250V
Rated current	15A	16A
Wire range	22-14AWG	2.5mm ²
Contact resistance	20m Ω	
Insulation resistance	500M Ω/DC500V	
Withstanding voltage	AC2000V/1Min	
MECHANICAL		
Temp. range	-40°C~+105°C	
Strip length	8-9mm	

MATERIAL		
Shrapnel	Stainless steel	
Clamp	Copper alloy, Sn plated	
Housing	PA66, UL94V-0	
ELECTRICAL		
Standard	UL	IEC
Rated voltage	300V	250V
Rated current	15A	16A
Wire range	22-14AWG	2.5mm ²
Contact resistance	20m Ω	
Insulation resistance	500M Ω/DC500V	
Withstanding voltage	AC2000V/1Min	
MECHANICAL		
Temp. range	-40°C~+105°C	
Strip length	8-9mm	

MATERIAL		
Shrapnel	Stainless steel	
Clamp	Copper alloy, Sn plated	
Housing	PA66, UL94V-0	
ELECTRICAL		
Standard	UL	IEC
Rated voltage	300V	250V
Rated current	15A	16A
Wire range	22-14AWG	2.5mm ²
Contact resistance	20m Ω	
Insulation resistance	500M Ω/DC500V	
Withstanding voltage	AC2000V/1Min	
MECHANICAL		
Temp. range	-40°C~+105°C	
Strip length	8-9mm	

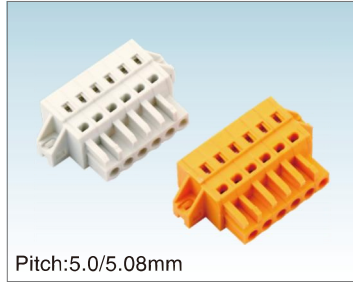




Pitch:5.0/5.08mm

MODEL: WJ0401/0501-07XX

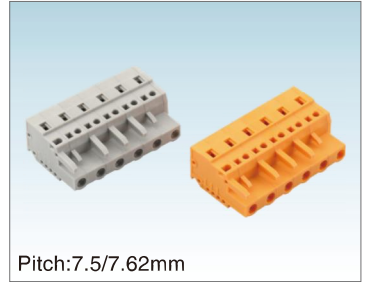
CERTIFICATION	
---------------	--



Pitch:5.0/5.08mm

MODEL: WJ0401/0501-08XX

CERTIFICATION	
---------------	--



Pitch:7.5/7.62mm

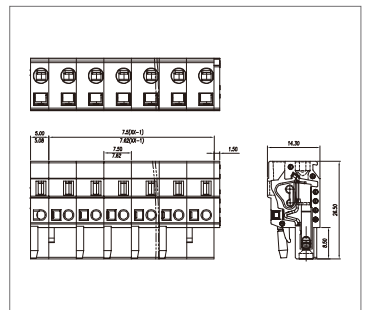
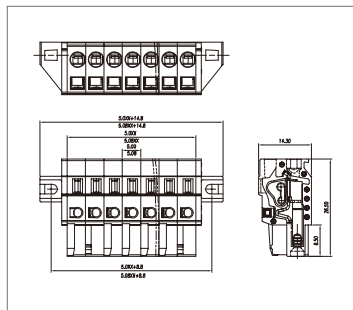
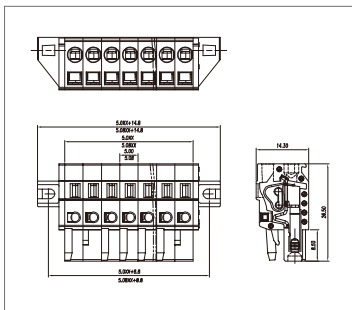
MODEL: WJ0601/0701-01XX

CERTIFICATION	
---------------	--

MATERIAL		
Shrapnel	Stainless steel	
Clamp	Copper alloy, Sn plated	
Housing	PA66, UL94V-0	
ELECTRICAL		
Standard	UL	IEC
Rated voltage	300V	250V
Rated current	15A	16A
Wire range	22-14AWG	2.5mm ²
Contact resistance	20m Ω	
Insulation resistance	500M Ω/DC500V	
Withstanding voltage	AC2000V/1Min	
MECHANICAL		
Temp. range	-40°C~+105°C	
Strip length	8-9mm	

MATERIAL		
Shrapnel	Stainless steel	
Clamp	Copper alloy, Sn plated	
Housing	PA66, UL94V-0	
ELECTRICAL		
Standard	UL	IEC
Rated voltage	300V	250V
Rated current	15A	16A
Wire range	22-14AWG	2.5mm ²
Contact resistance	20m Ω	
Insulation resistance	500M Ω/DC500V	
Withstanding voltage	AC2000V/1Min	
MECHANICAL		
Temp. range	-40°C~+105°C	
Strip length	8-9mm	

MATERIAL		
Shrapnel	Stainless steel	
Clamp	Copper alloy, Sn plated	
Housing	PA66, UL94V-0	
ELECTRICAL		
Standard	UL	IEC
Rated voltage	300V	250V
Rated current	15A	16A
Wire range	22-14AWG	2.5mm ²
Contact resistance	20m Ω	
Insulation resistance	500M Ω/DC500V	
Withstanding voltage	AC2000V/1Min	
MECHANICAL		
Temp. range	-40°C~+105°C	
Strip length	8-9mm	



MCS TERMINAL BLOCK



Pitch:7.5/7.62mm

MODEL: WJ0601/0701-02XX

CERTIFICATION	
---------------	--



Pitch:7.5/7.62mm

MODEL: WJ0601/0701-03XX

CERTIFICATION	
---------------	--



Pitch:7.5/7.62mm

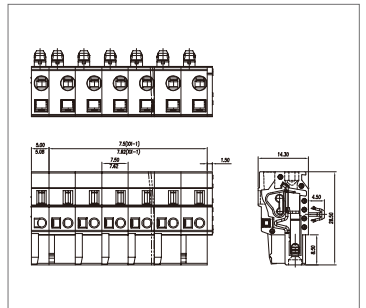
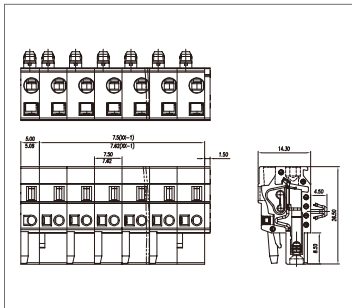
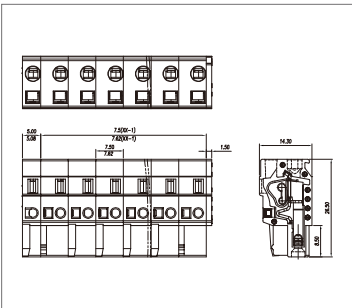
MODEL: WJ0601/0701-04XX

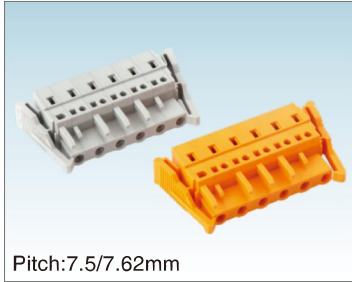
CERTIFICATION	
---------------	--

MATERIAL		
Shrapnel	Stainless steel	
Clamp	Copper alloy, Sn plated	
Housing	PA66, UL94V-0	
ELECTRICAL		
Standard	UL	IEC
Rated voltage	300V	250V
Rated current	15A	16A
Wire range	22-14AWG	2.5mm ²
Contact resistance	20m Ω	
Insulation resistance	500M Ω/DC500V	
Withstanding voltage	AC2000V/1Min	
MECHANICAL		
Temp. range	-40°C~+105°C	
Strip length	8-9mm	

MATERIAL		
Shrapnel	Stainless steel	
Clamp	Copper alloy, Sn plated	
Housing	PA66, UL94V-0	
ELECTRICAL		
Standard	UL	IEC
Rated voltage	300V	250V
Rated current	15A	16A
Wire range	22-14AWG	2.5mm ²
Contact resistance	20m Ω	
Insulation resistance	500M Ω/DC500V	
Withstanding voltage	AC2000V/1Min	
MECHANICAL		
Temp. range	-40°C~+105°C	
Strip length	8-9mm	

MATERIAL		
Shrapnel	Stainless steel	
Clamp	Copper alloy, Sn plated	
Housing	PA66, UL94V-0	
ELECTRICAL		
Standard	UL	IEC
Rated voltage	300V	250V
Rated current	15A	16A
Wire range	22-14AWG	2.5mm ²
Contact resistance	20m Ω	
Insulation resistance	500M Ω/DC500V	
Withstanding voltage	AC2000V/1Min	
MECHANICAL		
Temp. range	-40°C~+105°C	
Strip length	8-9mm	

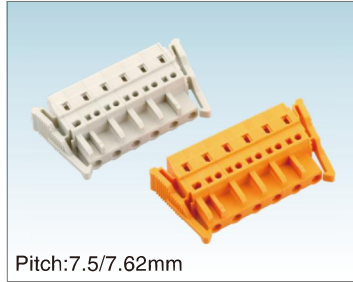




Pitch:7.5/7.62mm

MODEL: WJ0601/0701-05XX

CERTIFICATION	
---------------	--



Pitch:7.5/7.62mm

MODEL: WJ0601/0701-06XX

CERTIFICATION	
---------------	--



Pitch:7.5/7.62mm

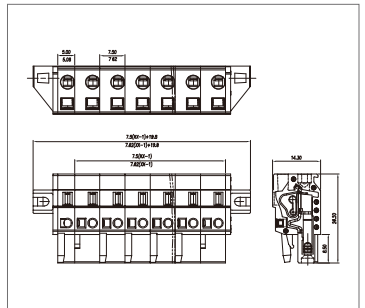
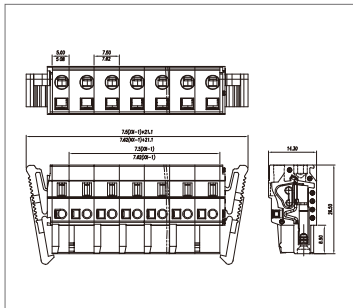
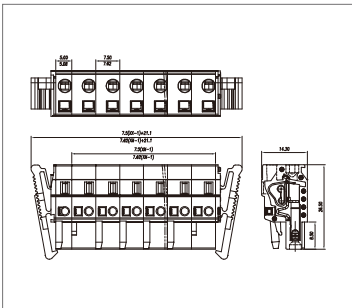
MODEL: WJ0601/0701-07XX

CERTIFICATION	
---------------	--

MATERIAL		
Shrapnel	Stainless steel	
Clamp	Copper alloy, Sn plated	
Housing	PA66, UL94V-0	
ELECTRICAL		
Standard	UL	IEC
Rated voltage	300V	250V
Rated current	15A	16A
Wire range	22-14AWG	2.5mm ²
Contact resistance	20mΩ	
Insulation resistance	500MΩ/DC500V	
Withstanding voltage	AC2000V/1Min	
MECHANICAL		
Temp. range	-40°C~+105°C	
Strip length	8-9mm	

MATERIAL		
Shrapnel	Stainless steel	
Clamp	Copper alloy, Sn plated	
Housing	PA66, UL94V-0	
ELECTRICAL		
Standard	UL	IEC
Rated voltage	300V	250V
Rated current	15A	16A
Wire range	22-14AWG	2.5mm ²
Contact resistance	20mΩ	
Insulation resistance	500MΩ/DC500V	
Withstanding voltage	AC2000V/1Min	
MECHANICAL		
Temp. range	-40°C~+105°C	
Strip length	8-9mm	

MATERIAL		
Shrapnel	Stainless steel	
Clamp	Copper alloy, Sn plated	
Housing	PA66, UL94V-0	
ELECTRICAL		
Standard	UL	IEC
Rated voltage	300V	250V
Rated current	15A	16A
Wire range	22-14AWG	2.5mm ²
Contact resistance	20mΩ	
Insulation resistance	500MΩ/DC500V	
Withstanding voltage	AC2000V/1Min	
MECHANICAL		
Temp. range	-40°C~+105°C	
Strip length	8-9mm	

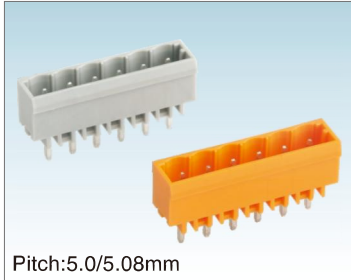




Pitch:7.5/7.62mm

MODEL: WJ0601/0701-08XX

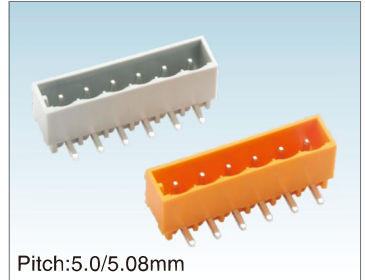
CERTIFICATION	
---------------	--



Pitch:5.0/5.08mm

MODEL: WJ0402/0502-01XX

CERTIFICATION	
---------------	--



Pitch:5.0/5.08mm

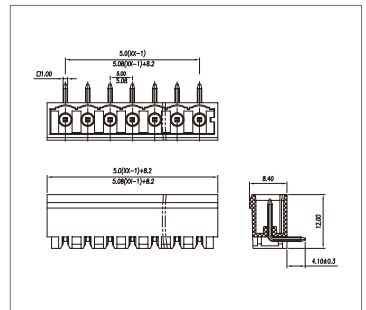
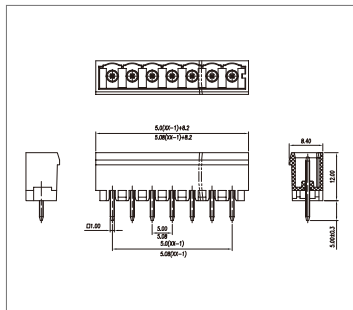
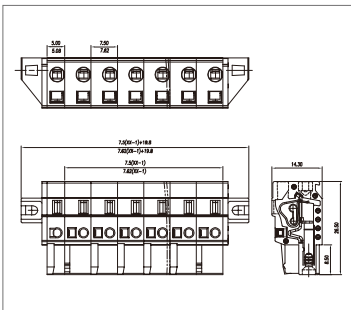
MODEL: WJ0402/0502-02XX

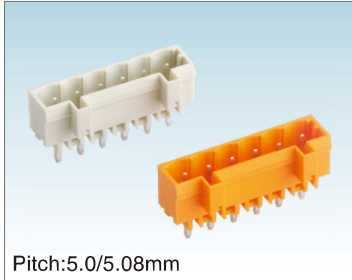
CERTIFICATION	
---------------	--

MATERIAL		
Shrapnel	Stainless steel	
Clamp	Copper alloy, Sn plated	
Housing	PA66, UL94V-0	
ELECTRICAL		
Standard	UL	IEC
Rated voltage	300V	250V
Rated current	15A	16A
Wire range	22-14AWG	2.5mm ²
Contact resistance	20mΩ	
Insulation resistance	500MΩ/DC500V	
Withstanding voltage	AC2000V/1Min	
MECHANICAL		
Temp. range	-40°C~+105°C	
Strip length	8-9mm	

MATERIAL		
Clamp	Copper alloy, Sn plated	
Housing	PA66, UL94V-0	
ELECTRICAL		
Standard	UL	IEC
Rated voltage	300V	250V
Rated current	15A	16A
Contact resistance	20mΩ	
Insulation resistance	500MΩ/DC500V	
Withstanding voltage	AC2000V/1Min	
MECHANICAL		
Temp. range	-40°C~+105°C	
Max. soldering	+250°C 5 Sec	

MATERIAL		
Clamp	Copper alloy, Sn plated	
Housing	PA66, UL94V-0	
ELECTRICAL		
Standard	UL	IEC
Rated voltage	300V	250V
Rated current	15A	16A
Contact resistance	20mΩ	
Insulation resistance	500MΩ/DC500V	
Withstanding voltage	AC2000V/1Min	
MECHANICAL		
Temp. range	-40°C~+105°C	
Max. soldering	+250°C 5 Sec	

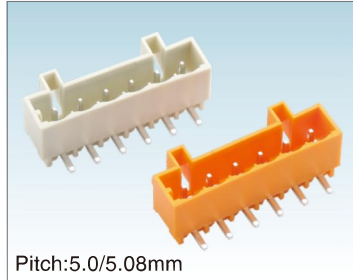




Pitch:5.0/5.08mm

MODEL: WJ0402/0502-05XX

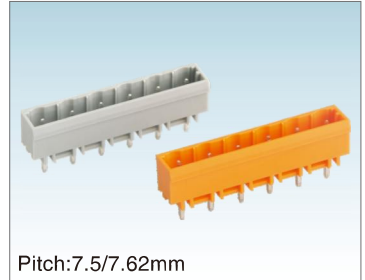
CERTIFICATION	
---------------	--



Pitch:5.0/5.08mm

MODEL: WJ0402/0502-06XX

CERTIFICATION	
---------------	--



Pitch:7.5/7.62mm

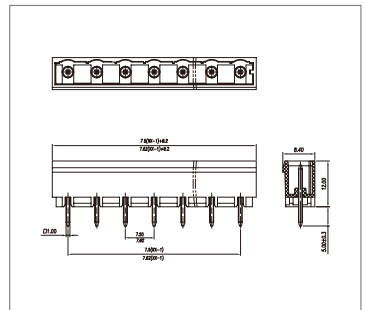
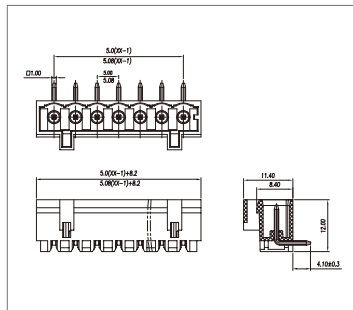
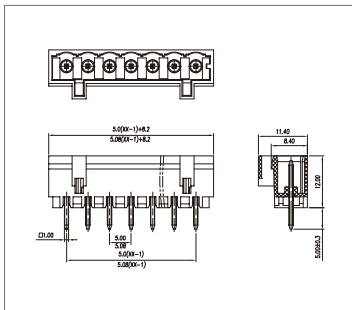
MODEL: WJ0602/0702-01XX

CERTIFICATION	
---------------	--

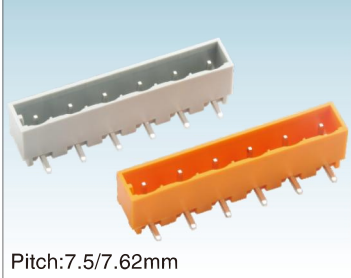
MATERIAL		
Clamp	Copper alloy, Sn plated	
Housing	PA66, UL94V-0	
ELECTRICAL		
Standard	UL	IEC
Rated voltage	300V	250V
Rated current	15A	16A
Contact resistance	20mΩ	
Insulation resistance	500MΩ/DC500V	
Withstanding voltage	AC2000V/1Min	
MECHANICAL		
Temp. range	-40°C~+105°C	
Max. soldering	+250°C 5 Sec	

MATERIAL		
Clamp	Copper alloy, Sn plated	
Housing	PA66, UL94V-0	
ELECTRICAL		
Standard	UL	IEC
Rated voltage	300V	250V
Rated current	15A	16A
Contact resistance	20mΩ	
Insulation resistance	500MΩ/DC500V	
Withstanding voltage	AC2000V/1Min	
MECHANICAL		
Temp. range	-40°C~+105°C	
Max. soldering	+250°C 5 Sec	

MATERIAL		
Clamp	Copper alloy, Sn plated	
Housing	PA66, UL94V-0	
ELECTRICAL		
Standard	UL	IEC
Rated voltage	300V	250V
Rated current	15A	16A
Contact resistance	20mΩ	
Insulation resistance	500MΩ/DC500V	
Withstanding voltage	AC2000V/1Min	
MECHANICAL		
Temp. range	-40°C~+105°C	
Max. soldering	+250°C 5 Sec	



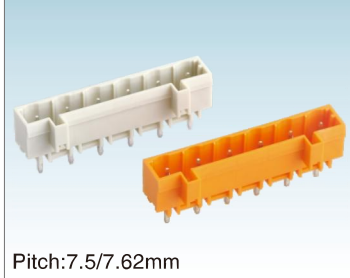
MCS TERMINAL BLOCK



Pitch:7.5/7.62mm

MODEL: WJ0602/0702-02XX

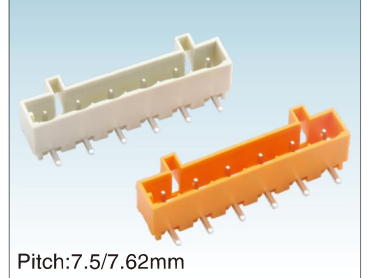
CERTIFICATION	
---------------	--



Pitch:7.5/7.62mm

MODEL: WJ0602/0702-05XX

CERTIFICATION	
---------------	--



Pitch:7.5/7.62mm

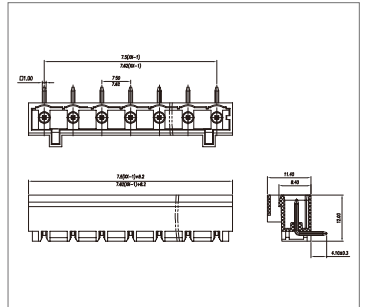
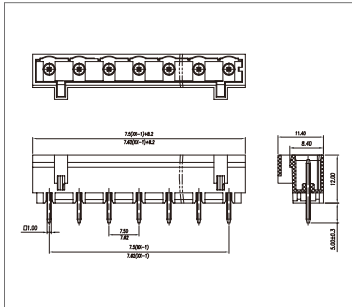
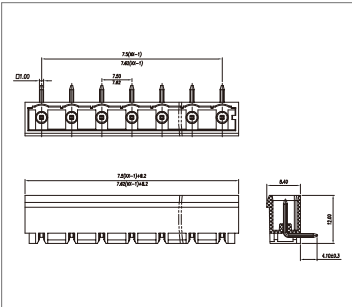
MODEL: WJ0602/0702-06XX

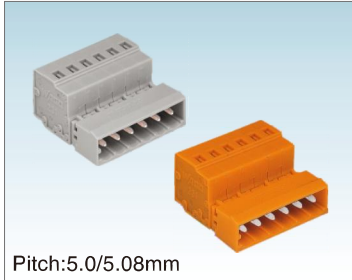
CERTIFICATION	
---------------	--

MATERIAL		
Clamp	Copper alloy, Sn plated	
Housing	PA66, UL94V-0	
ELECTRICAL		
Standard	UL	IEC
Rated voltage	300V	250V
Rated current	15A	16A
Contact resistance	20mΩ	
Insulation resistance	500MΩ/DC500V	
Withstanding voltage	AC2000V/1Min	
MECHANICAL		
Temp. range	-40°C~+105°C	
Max. soldering	+250°C 5 Sec	

MATERIAL		
Clamp	Copper alloy, Sn plated	
Housing	PA66, UL94V-0	
ELECTRICAL		
Standard	UL	IEC
Rated voltage	300V	250V
Rated current	15A	16A
Contact resistance	20mΩ	
Insulation resistance	500MΩ/DC500V	
Withstanding voltage	AC2000V/1Min	
MECHANICAL		
Temp. range	-40°C~+105°C	
Max. soldering	+250°C 5 Sec	

MATERIAL		
Clamp	Copper alloy, Sn plated	
Housing	PA66, UL94V-0	
ELECTRICAL		
Standard	UL	IEC
Rated voltage	300V	250V
Rated current	15A	16A
Contact resistance	20mΩ	
Insulation resistance	500MΩ/DC500V	
Withstanding voltage	AC2000V/1Min	
MECHANICAL		
Temp. range	-40°C~+105°C	
Max. soldering	+250°C 5 Sec	

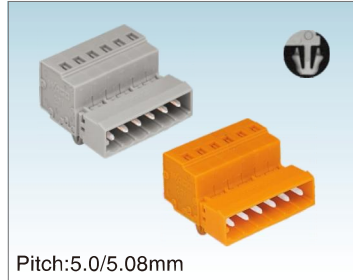




Pitch:5.0/5.08mm

MODEL: WJ0403/0503-01XX

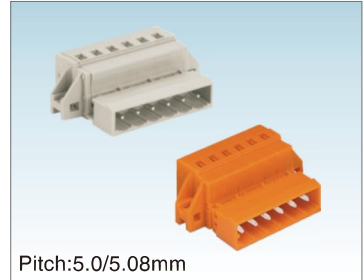
CERTIFICATION	
---------------	--



Pitch:5.0/5.08mm

MODEL: WJ0403/0503-02XX

CERTIFICATION	
---------------	--



Pitch:5.0/5.08mm

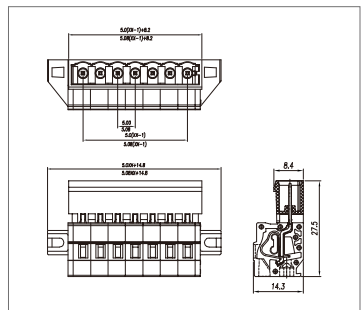
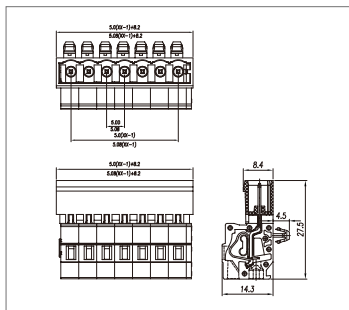
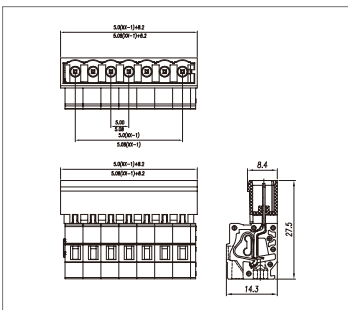
MODEL: WJ0403/0503-03XX

CERTIFICATION	
---------------	--

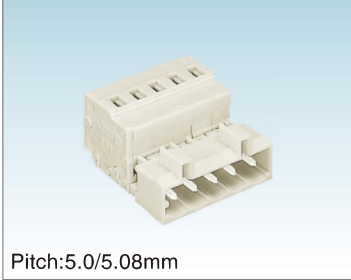
MATERIAL	Stainless steel	
Wire guard	Copper alloy, Sn plated	
Conductor	PA66, UL94V-0	
Housing		
ELECTRICAL		
Standard	UL	IEC
Rated voltage	300V	250V
Rated current	15A	16A
Wire range	22-14AWG	2.5mm ²
Contact resistance	20mΩ	
Insulation resistance	500MΩ/DC500V	
Withstanding voltage	AC2000V/1Min	
MECHANICAL		
Temp. range	-40°C~+105°C	
Strip length	8-9mm	

MATERIAL	Stainless steel	
Wire guard	Copper alloy, Sn plated	
Conductor	PA66, UL94V-0	
Housing		
ELECTRICAL		
Standard	UL	IEC
Rated voltage	300V	250V
Rated current	15A	16A
Wire range	22-14AWG	2.5mm ²
Contact resistance	20mΩ	
Insulation resistance	500MΩ/DC500V	
Withstanding voltage	AC2000V/1Min	
MECHANICAL		
Temp. range	-40°C~+105°C	
Strip length	8-9mm	

MATERIAL	Stainless steel	
Wire guard	Copper alloy, Sn plated	
Conductor	PA66, UL94V-0	
Housing		
ELECTRICAL		
Standard	UL	IEC
Rated voltage	300V	250V
Rated current	15A	16A
Wire range	22-14AWG	2.5mm ²
Contact resistance	20mΩ	
Insulation resistance	500MΩ/DC500V	
Withstanding voltage	AC2000V/1Min	
MECHANICAL		
Temp. range	-40°C~+105°C	
Strip length	8-9mm	



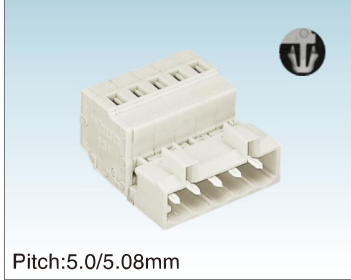
MCS TERMINAL BLOCK



Pitch:5.0/5.08mm

MODEL: WJ0403/0503-04XX

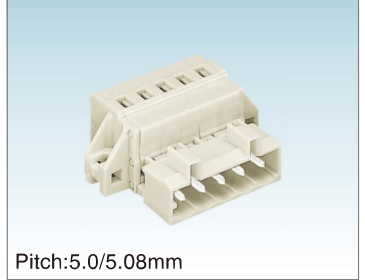
CERTIFICATION



Pitch:5.0/5.08mm

MODEL: WJ0403/0503-05XX

CERTIFICATION



Pitch:5.0/5.08mm

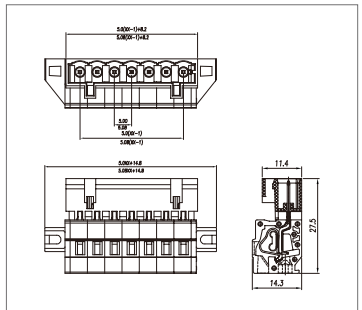
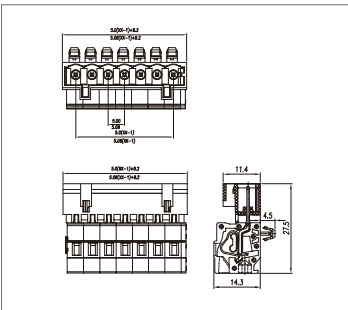
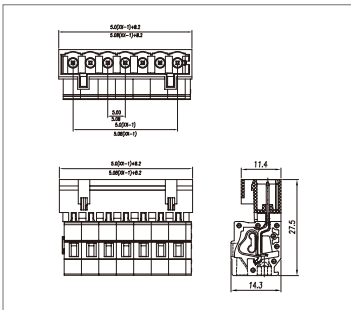
MODEL: WJ0403/0503-06XX

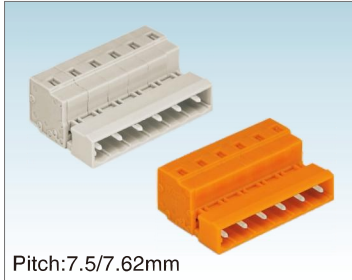
CERTIFICATION

MATERIAL		
Wire guard	Stainless steel	
Conductor	Copper alloy, Sn plated	
Housing	PA66, UL94V-0	
ELECTRICAL		
Standard	UL	IEC
Rated voltage	300V	250V
Rated current	15A	16A
Wire range	22-14AWG	2.5mm ²
Contact resistance	20mΩ	
Insulation resistance	500MΩ/DC500V	
Withstanding voltage	AC2000V/1Min	
MECHANICAL		
Temp. range	-40°C~+105°C	
Strip length	8-9mm	

MATERIAL		
Wire guard	Stainless steel	
Conductor	Copper alloy, Sn plated	
Housing	PA66, UL94V-0	
ELECTRICAL		
Standard	UL	IEC
Rated voltage	300V	250V
Rated current	15A	16A
Wire range	22-14AWG	2.5mm ²
Contact resistance	20mΩ	
Insulation resistance	500MΩ/DC500V	
Withstanding voltage	AC2000V/1Min	
MECHANICAL		
Temp. range	-40°C~+105°C	
Strip length	8-9mm	

MATERIAL		
Wire guard	Stainless steel	
Conductor	Copper alloy, Sn plated	
Housing	PA66, UL94V-0	
ELECTRICAL		
Standard	UL	IEC
Rated voltage	300V	250V
Rated current	15A	16A
Wire range	22-14AWG	2.5mm ²
Contact resistance	20mΩ	
Insulation resistance	500MΩ/DC500V	
Withstanding voltage	AC2000V/1Min	
MECHANICAL		
Temp. range	-40°C~+105°C	
Strip length	8-9mm	

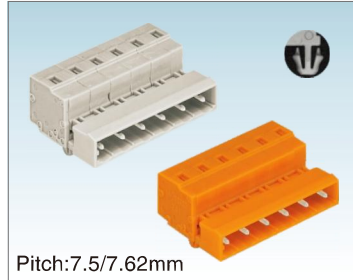




Pitch:7.5/7.62mm

MODEL: WJ0603/0703-01XX

CERTIFICATION	
---------------	--



Pitch:7.5/7.62mm

MODEL: WJ0603/0703-02XX

CERTIFICATION	
---------------	--



Pitch:7.5/7.62mm

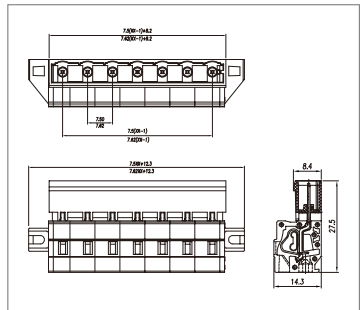
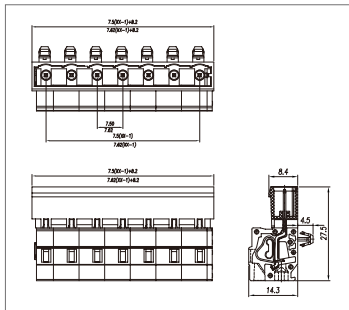
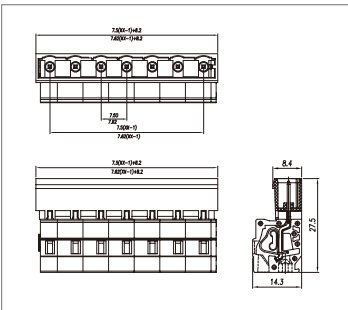
MODEL: WJ0603/0703-03XX

CERTIFICATION	
---------------	--

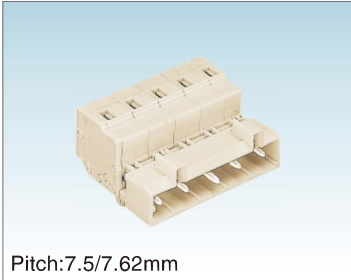
MATERIAL	Stainless steel	
Wire guard	Copper alloy, Sn plated	
Conductor	PA66, UL94V-0	
Housing		
ELECTRICAL		
Standard	UL	IEC
Rated voltage	300V	250V
Rated current	15A	16A
Wire range	22-14AWG	2.5mm ²
Contact resistance	20mΩ	
Insulation resistance	500MΩ/DC500V	
Withstanding voltage	AC2000V/1Min	
MECHANICAL		
Temp. range	-40°C~+105°C	
Strip length	8-9mm	

MATERIAL	Stainless steel	
Wire guard	Copper alloy, Sn plated	
Conductor	PA66, UL94V-0	
Housing		
ELECTRICAL		
Standard	UL	IEC
Rated voltage	300V	250V
Rated current	15A	16A
Wire range	22-14AWG	2.5mm ²
Contact resistance	20mΩ	
Insulation resistance	500MΩ/DC500V	
Withstanding voltage	AC2000V/1Min	
MECHANICAL		
Temp. range	-40°C~+105°C	
Strip length	8-9mm	

MATERIAL	Stainless steel	
Wire guard	Copper alloy, Sn plated	
Conductor	PA66, UL94V-0	
Housing		
ELECTRICAL		
Standard	UL	IEC
Rated voltage	300V	250V
Rated current	15A	16A
Wire range	22-14AWG	2.5mm ²
Contact resistance	20mΩ	
Insulation resistance	500MΩ/DC500V	
Withstanding voltage	AC2000V/1Min	
MECHANICAL		
Temp. range	-40°C~+105°C	
Strip length	8-9mm	



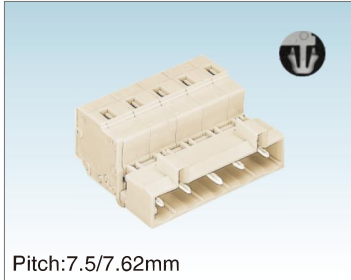
MCS TERMINAL BLOCK



Pitch:7.5/7.62mm

MODEL: WJ0603/0703-04XX

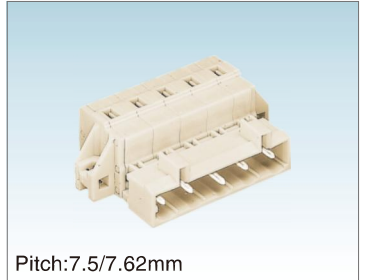
CERTIFICATION



Pitch:7.5/7.62mm

MODEL: WJ0603/0703-05XX

CERTIFICATION



Pitch:7.5/7.62mm

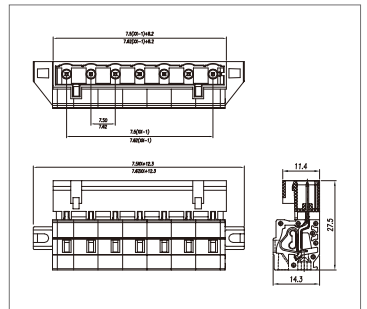
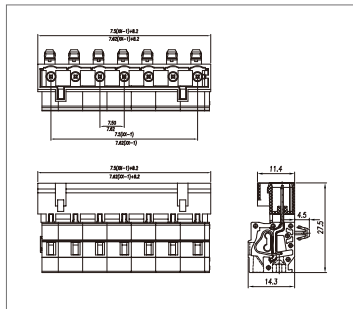
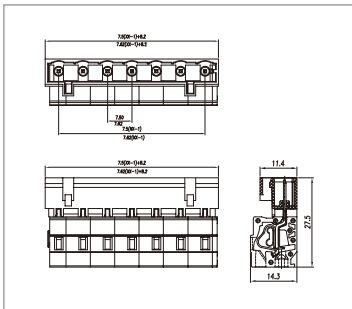
MODEL: WJ0603/0703-06XX

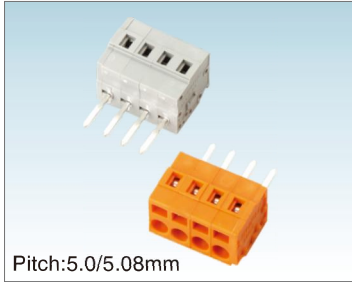
CERTIFICATION

MATERIAL		
Wire guard	Stainless steel	
Conductor	Copper alloy, Sn plated	
Housing	PA66, UL94V-0	
ELECTRICAL		
Standard	UL	IEC
Rated voltage	300V	250V
Rated current	15A	16A
Wire range	22-14AWG	2.5mm ²
Contact resistance	20m Ω	
Insulation resistance	500M Ω/DC500V	
Withstanding voltage	AC2000V/1Min	
MECHANICAL		
Temp. range	-40°C~+105°C	
Strip length	8-9mm	

MATERIAL		
Wire guard	Stainless steel	
Conductor	Copper alloy, Sn plated	
Housing	PA66, UL94V-0	
ELECTRICAL		
Standard	UL	IEC
Rated voltage	300V	250V
Rated current	15A	16A
Wire range	22-14AWG	2.5mm ²
Contact resistance	20m Ω	
Insulation resistance	500M Ω/DC500V	
Withstanding voltage	AC2000V/1Min	
MECHANICAL		
Temp. range	-40°C~+105°C	
Strip length	8-9mm	

MATERIAL		
Wire guard	Stainless steel	
Conductor	Copper alloy, Sn plated	
Housing	PA66, UL94V-0	
ELECTRICAL		
Standard	UL	IEC
Rated voltage	300V	250V
Rated current	15A	16A
Wire range	22-14AWG	2.5mm ²
Contact resistance	20m Ω	
Insulation resistance	500M Ω/DC500V	
Withstanding voltage	AC2000V/1Min	
MECHANICAL		
Temp. range	-40°C~+105°C	
Strip length	8-9mm	

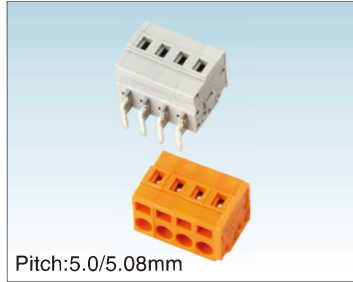




Pitch:5.0/5.08mm

MODEL: WJ0404/0504-01XX

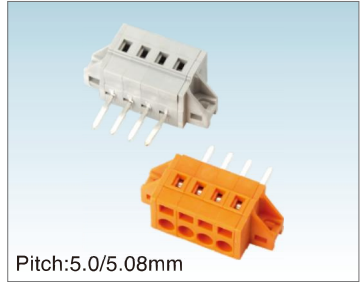
CERTIFICATION



Pitch:5.0/5.08mm

MODEL: WJ0404/0504-02XX

CERTIFICATION



Pitch:5.0/5.08mm

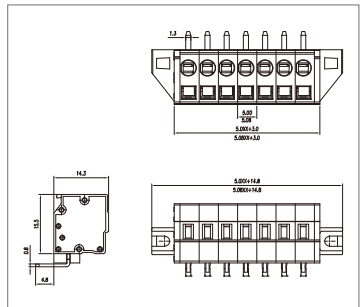
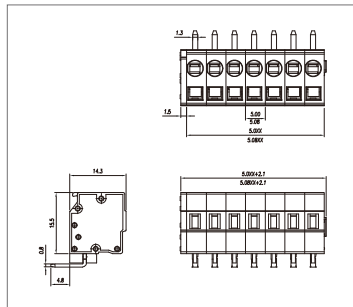
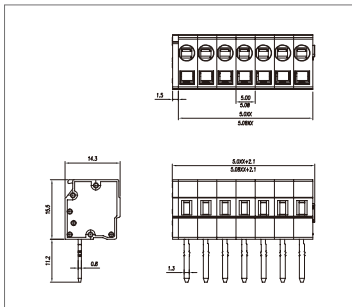
MODEL: WJ0404/0504-03XX

CERTIFICATION

MATERIAL	Wire guard Pin header Housing	Stainless steel Copper alloy, Sn plated PA66, UL94V-0
ELECTRICAL	Standard Rated voltage Rated current Wire range Contact resistance Insulation resistance Withstanding voltage	UL IEC 300V 250V 15A 16A 22-14AWG 2.5mm ² 20m Ω 500M Ω/DC500V AC2000V/1Min
MECHANICAL	Temp. range Strip length	-40°C~+105°C 8-9mm

MATERIAL	Wire guard Pin header Housing	Stainless steel Copper alloy, Sn plated PA66, UL94V-0
ELECTRICAL	Standard Rated voltage Rated current Wire range Contact resistance Insulation resistance Withstanding voltage	UL IEC 300V 250V 15A 16A 22-14AWG 2.5mm ² 20m Ω 500M Ω/DC500V AC2000V/1Min
MECHANICAL	Temp. range Strip length	-40°C~+105°C 8-9mm

MATERIAL	Wire guard Pin header Housing	Stainless steel Copper alloy, Sn plated PA66, UL94V-0
ELECTRICAL	Standard Rated voltage Rated current Wire range Contact resistance Insulation resistance Withstanding voltage	UL IEC 300V 250V 15A 16A 22-14AWG 2.5mm ² 20m Ω 500M Ω/DC500V AC2000V/1Min
MECHANICAL	Temp. range Strip length	-40°C~+105°C 8-9mm

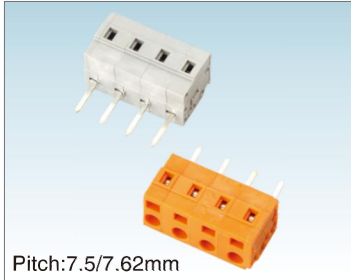


MCS TERMINAL BLOCK



Pitch:5.0/5.08mm

MODEL: WJ0404/0504-04XX



Pitch:7.5/7.62mm

MODEL: WJ0604/0704-01XX



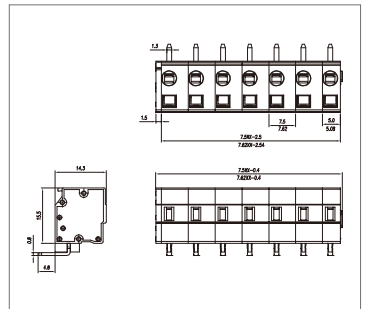
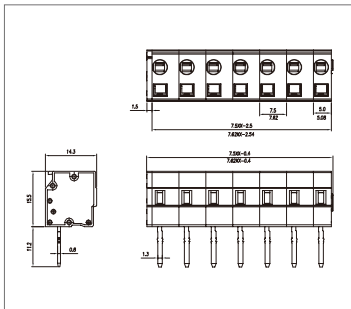
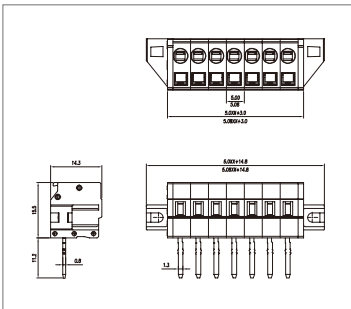
Pitch:7.5/7.62mm

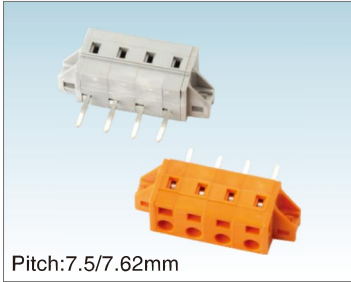
MODEL: WJ0604/0704-02XX

MATERIAL	Stainless steel	
Wire guard	Copper alloy, Sn plated	
Pin header	PA66, UL94V-0	
Housing		
ELECTRICAL	UL	IEC
Standard	UL	IEC
Rated voltage	300V	250V
Rated current	15A	16A
Wire range	22-14AWG	2.5mm ²
Contact resistance	20mΩ	
Insulation resistance	500MΩ/DC500V	
Withstanding voltage	AC2000V/1Min	
MECHANICAL	-40°C~+105°C	
Temp. range	8-9mm	
Strip length		

MATERIAL	Stainless steel	
Wire guard	Copper alloy, Sn plated	
Pin header	PA66, UL94V-0	
Housing		
ELECTRICAL	UL	IEC
Standard	UL	IEC
Rated voltage	300V	250V
Rated current	15A	16A
Wire range	22-14AWG	2.5mm ²
Contact resistance	20mΩ	
Insulation resistance	500MΩ/DC500V	
Withstanding voltage	AC2000V/1Min	
MECHANICAL	-40°C~+105°C	
Temp. range	8-9mm	
Strip length		

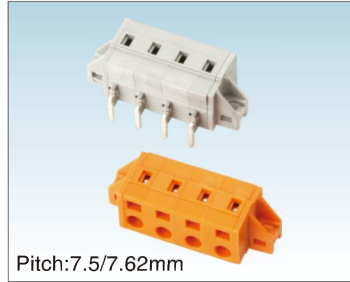
MATERIAL	Stainless steel	
Wire guard	Copper alloy, Sn plated	
Pin header	PA66, UL94V-0	
Housing		
ELECTRICAL	UL	IEC
Standard	UL	IEC
Rated voltage	300V	250V
Rated current	15A	16A
Wire range	22-14AWG	2.5mm ²
Contact resistance	20mΩ	
Insulation resistance	500MΩ/DC500V	
Withstanding voltage	AC2000V/1Min	
MECHANICAL	-40°C~+105°C	
Temp. range	8-9mm	
Strip length		





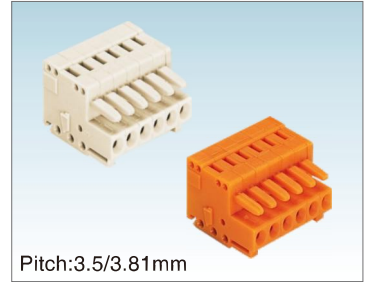
Pitch:7.5/7.62mm

MODEL: WJ0604/0704-03XX



Pitch:7.5/7.62mm

MODEL: WJ0604/0704-04XX



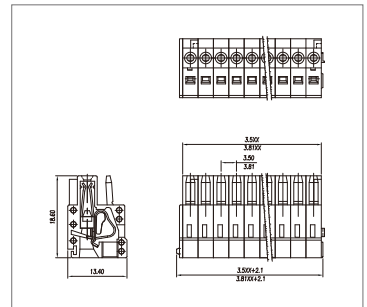
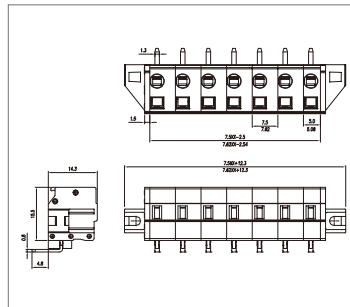
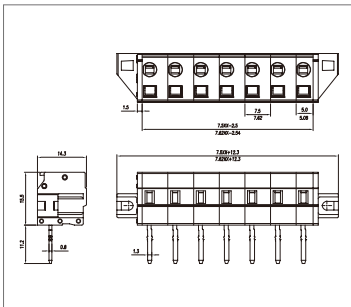
Pitch:3.5/3.81mm

MODEL: WJ0201/0301-01XX

MATERIAL	Stainless steel	
Wire guard	Copper alloy, Sn plated	
Pin header	PA66, UL94V-0	
Housing		
ELECTRICAL	UL	IEC
Standard	300V	250V
Rated voltage	15A	16A
Rated current	22-14AWG	2.5mm ²
Wire range	20mΩ	
Contact resistance	500MΩ/DC500V	
Insulation resistance	AC2000V/1Min	
Withstanding voltage		
MECHANICAL	-40°C~+105°C	
Temp. range	8-9mm	
Strip length		

MATERIAL	Stainless steel	
Wire guard	Copper alloy, Sn plated	
Pin header	PA66, UL94V-0	
Housing		
ELECTRICAL	UL	IEC
Standard	300V	250V
Rated voltage	15A	16A
Rated current	22-14AWG	2.5mm ²
Wire range	20mΩ	
Contact resistance	500MΩ/DC500V	
Insulation resistance	AC2000V/1Min	
Withstanding voltage		
MECHANICAL	-40°C~+105°C	
Temp. range	8-9mm	
Strip length		

MATERIAL	Stainless steel	
Shrapnel	Copper alloy, Sn plated	
Clamp	PA66, UL94V-0	
Housing		
ELECTRICAL	UL	IEC
Standard	300V	130V
Rated voltage	10A	10A
Rated current	26-14AWG	1.5mm ²
Wire range	20mΩ	
Contact resistance	500MΩ/DC500V	
Insulation resistance	AC1500V/1Min	
Withstanding voltage		
MECHANICAL	-40°C~+105°C	
Temp. range	7-8mm	
Strip length		



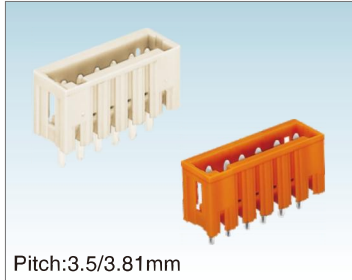
MCS TERMINAL BLOCK



Pitch:3.5/3.81mm

MODEL: WJ0201/0301-02XX

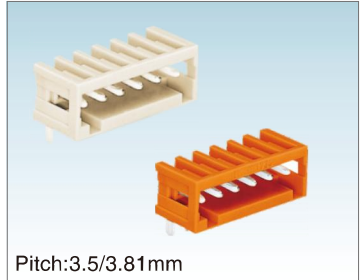
CERTIFICATION



Pitch:3.5/3.81mm

MODEL: WJ0202/0302-01XX

CERTIFICATION



Pitch:3.5/3.81mm

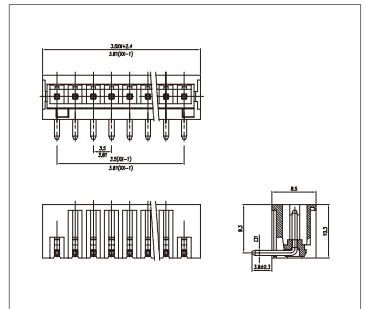
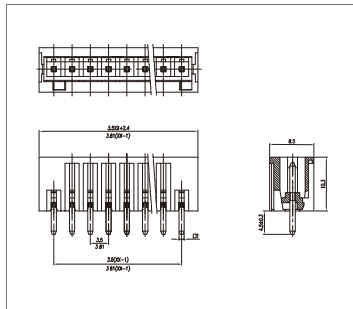
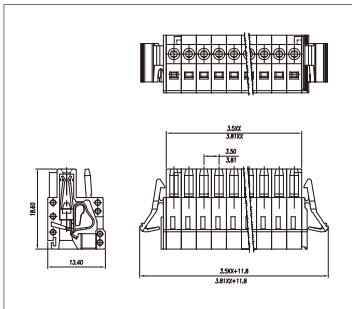
MODEL: WJ0202/0302-02XX

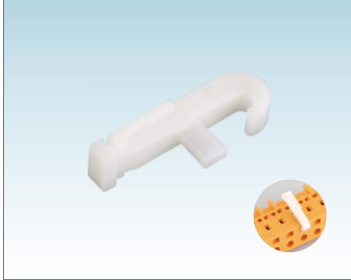
CERTIFICATION

MATERIAL	Stainless steel Copper alloy, Sn plated PA66, UL94V-0	
ELECTRICAL	UL	IEC
Standard	300V	130V
Rated voltage	10A	10A
Rated current	26-14AWG	1.5mm ²
Wire range	20mΩ	
Contact resistance	500MΩ/DC500V	
Insulation resistance	AC1500V/1Min	
Withstanding voltage		
MECHANICAL	-40°C~+105°C	
Temp. range	7-8mm	
Strip length		

MATERIAL	Copper alloy, Sn plated PA66, UL94V-0	
ELECTRICAL	UL	IEC
Standard	300V	130V
Rated voltage	10A	10A
Rated current	20mΩ	
Contact resistance	500MΩ/DC500V	
Insulation resistance	AC1500V/1Min	
Withstanding voltage		
MECHANICAL	-40°C~+105°C	
Temp. range	+250°C 5 Sec	
瞬时温度		

MATERIAL	Copper alloy, Sn plated PA66, UL94V-0	
ELECTRICAL	UL	IEC
Standard	300V	130V
Rated voltage	10A	10A
Rated current	20mΩ	
Contact resistance	500MΩ/DC500V	
Insulation resistance	AC1500V/1Min	
Withstanding voltage		
MECHANICAL	-40°C~+105°C	
Temp. range	+250°C 5 Sec	
瞬时温度		

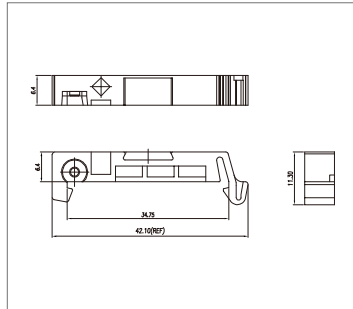
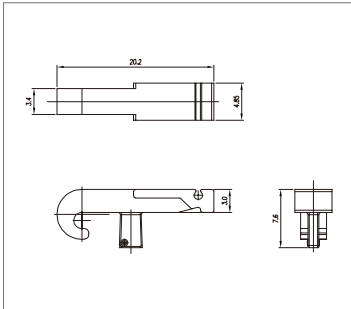


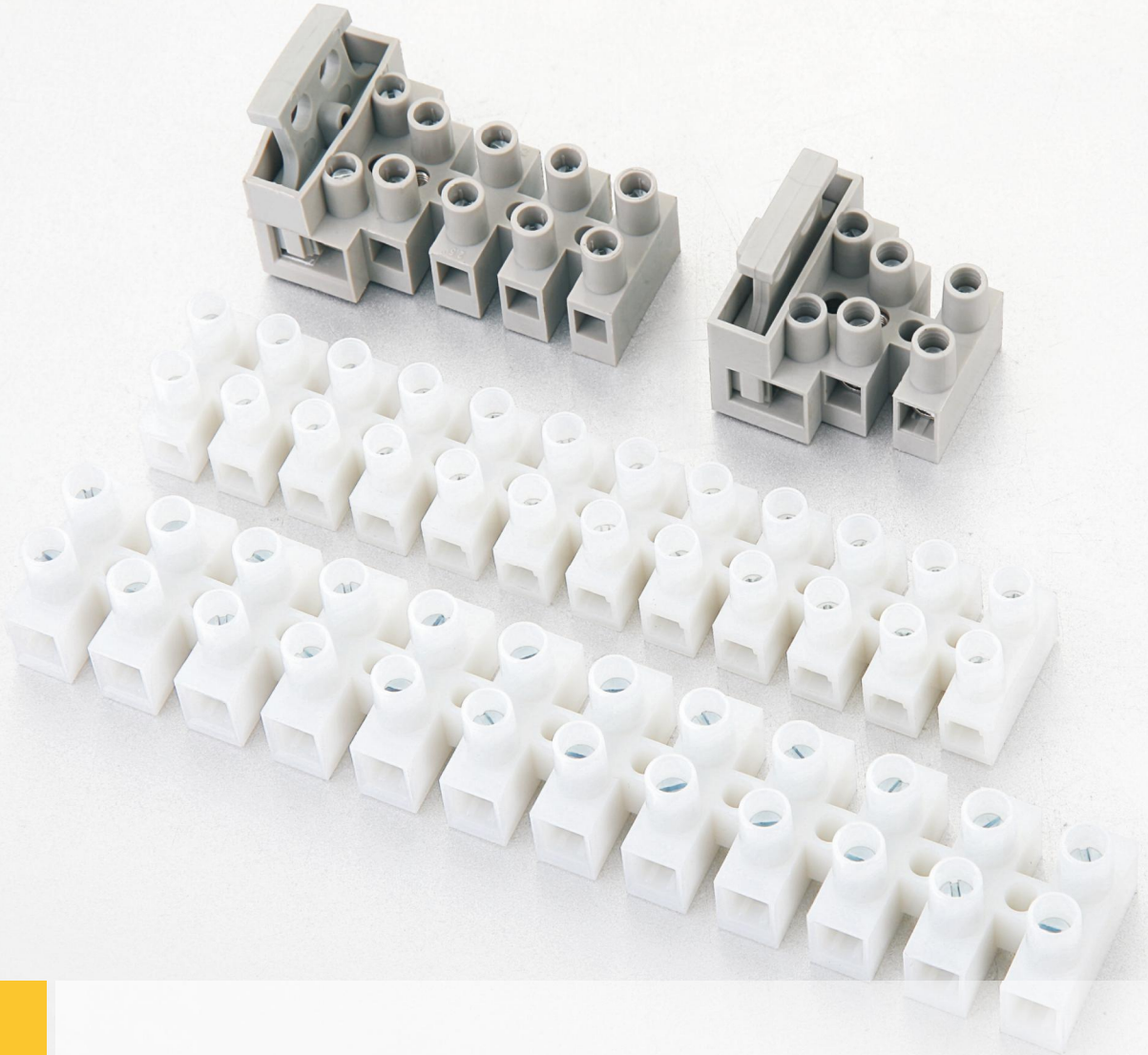


MODEL: WJT01



MODEL: WJG01



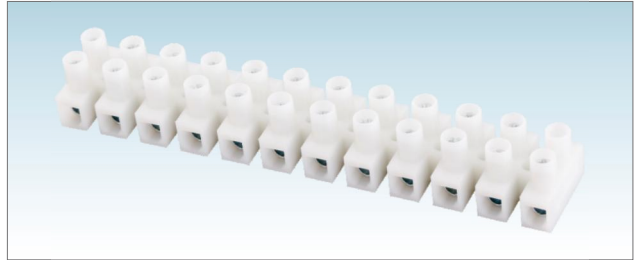
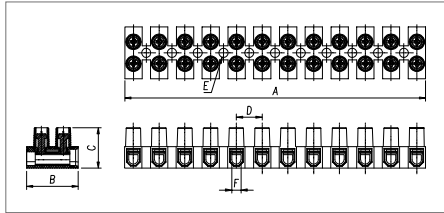


FEED THROUGH TERMINAL BLOCK

Feed through terminal blocks, connecting with two conductors easily and credibility, Provide the wire size from 0.5mm² to 10mm², Available with different pitches from 8.2mm to 14.5mm, Available for with fuse and without fuse. The product is designed in accordance with IEC 60998, UL1059, CSA C22.2 NO.158 standards.

MODEL: MY_HS

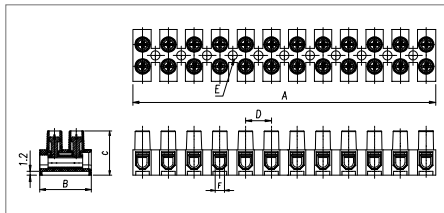
CERTIFICATION	
Base: Flat-bottom Screws: Steel, Zn plated Clamp: Cladded copper strips, Zn plated Housing material: PA66, UL94V-2 Temp. range: -40°C~+105°C Poles available: 2-12P	



Model	mm ²	UL		ICE		Screw	Dimensions(mm/in)						
		Unit	A	B	C		D	E	F				
MY8HS+0	0.5-4.0	300V	20A	450V	24A	M2.6x5	mm	96.0	17.80	14.30	8.20	3.00	3.0x3.4
MY10HS+0	1.0-6.0	300V	26A	750V	24A	M3.0x6	mm	116.7	20.00	15.70	10.00	3.50	3.6x3.7

MODEL: MY_HS+1.2

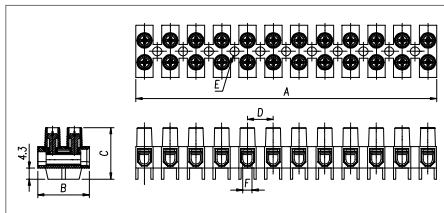
CERTIFICATION	
Base: With 1.2mm elevated base Screws: Steel, Zn plated Clamp: Cladded copper strips, Zn plated Housing material: PA66, UL94V-2 Temp. range: -40°C~+105°C Poles available: 2-12P	



Model	mm ²	UL		ICE		Screw	Dimensions(mm/in)						
		Unit	A	B	C		D	E	F				
MY8HS+1.2	0.5-4.0	300V	20A	450V	24A	M2.6x5	mm	96.0	17.80	15.50	8.20	3.00	3.0x3.4
MY10HS+1.2	1.0-6.0	300V	26A	750V	24A	M3.0x6	mm	116.7	20.00	16.90	10.00	3.50	3.6x3.7

MODEL: MY_HS+4.3

CERTIFICATION	
Base: With 4.3mm elevated base Screws: Steel, Zn plated Clamp: Cladded copper strips, Zn plated Housing material: PA66, UL94V-2 Temp. range: -40°C~+105°C Poles available: 2-12P	



Model	mm ²	UL		ICE		Screw	Dimensions(mm/in)						
		Unit	A	B	C		D	E	F				
MY8HS+4.3	0.5-4.0	300V	20A	450V	24A	M2.6x5	mm	96.0	17.80	18.60	8.20	3.00	3.0x3.4
MY10HS+4.3	1.0-6.0	300V	26A	750V	24A	M3.0x6	mm	116.5	20.00	20.00	10.00	3.50	3.6x3.7

MODEL: MY__H

CERTIFICATION	
<p>Base: Flat-bottom Screws: Steel, Zn plated Clamp: Brass, Ni plated Housing material: PA66, UL94V-2 Temp. range: -40°C~+105°C Poles available: 2-12P</p>	



Model	mm ²	UL			ICE		Screw	Unit	Dimensions(mm/in)					
									A	B	C	D	E	F
MY8H+0	1.5	300V	17.5A	450V	24A	M2.6x5	mm	94.0	17.0	13.00	8.00	3.00	2.80	
MY10H+0	2.5	300V	28A	750V	24A	M3.0x6	mm	116.7	20.3	16.00	10.00	3.50	3.20	
MY12H+0	6.0	600V	41A	750V	45A	M3.5x7	mm	139.7	24.0	17.80	12.00	3.90	3.90	
MY16H+0	10.0	600V	57A	750V	60A	M4.0x9	mm	171.3	32.0	23.80	14.60	4.40	4.80	

MODEL: MY__H+1.2

CERTIFICATION	
<p>Base: With 1.2mm elevated base Screws: Steel, Zn plated Clamp: Brass, Ni plated Housing material: PA66, UL94V-2 Temp. range: -40°C~+105°C Poles available: 2-12P</p>	



Model	mm ²	UL			ICE		Screw	Unit	Dimensions(mm/in)					
									A	B	C	D	E	F
MY8H+1.2	1.5	300V	17.5A	450V	24A	M2.6x5	mm	94.0	17.0	14.20	8.00	3.00	2.80	
MY10H+1.2	2.5	300V	28A	750V	24A	M3.0x6	mm	116.7	20.3	17.20	10.00	3.50	3.20	
MY12H+1.2	6.0	600V	41A	750V	45A	M3.5x7	mm	139.7	24.0	19.00	12.00	3.90	3.90	
MY16H+1.2	10.0	600V	57A	750V	60A	M4.0x9	mm	171.3	32.0	25.00	14.60	4.40	4.80	

MODEL: MY__H+4.3

CERTIFICATION	
<p>Base: With 4.3mm elevated base Screws: Steel, Zn plated Clamp: Brass, Ni plated Housing material: PA66, UL94V-2 Temp. range: -40°C~+105°C Poles available: 2-12P</p>	



Model	mm ²	UL			ICE		Screw	Unit	Dimensions(mm/in)					
									A	B	C	D	E	F
MY8H+4.3	1.5	300V	17.5A	450V	24A	M2.6x5	mm	94.0	17.0	17.30	8.20	3.00	2.80	
MY10H+4.3	2.5	300V	28A	750V	24A	M3.0x6	mm	116.7	20.3	20.30	10.00	3.50	3.20	
MY12H+4.3	6.0	600V	41A	750V	45A	M3.5x7	mm	139.7	24.0	22.10	12.00	3.90	3.90	
MY16H+4.3	10.0	600V	57A	750V	60A	M4.0x9	mm	171.3	32.0	28.10	14.60	4.40	4.80	

MODEL: MY__HW

带弹片 Wire Protector

CERTIFICATION	
<p>Base: Flat-bottom Screws: Steel Ni plated Clamp: Brass, Ni plated Shrapnel: Phosphor bronze, Ni plated Housing material: PA66, UL94V-2 Temp. range: -40°C~+105°C Poles available: 2-12P</p>	



Model	mm ²	UL			ICE		Screw	Dimensions(mm/in)						
								Unit	A	B	C	D	E	F
MY8HW+0	1.5	300V	17.5A	450V	24A	M2.6x5	mm	94.0	17.0	13.00	8.00	3.00	2.80	
MY10HW+0	2.5	300V	28A	750V	24A	M3.0x6	mm	116.7	20.3	16.00	10.00	3.50	3.20	
MY12HW+0	6.0	600V	41A	750V	45A	M3.5x7	mm	139.7	24.0	17.80	12.00	3.90	3.90	
MY16HW+0	10.0	600V	57A	750V	60A	M4.0x9	mm	171.3	32.0	23.80	14.60	4.40	4.80	

MODEL: MY__HW+1.2

带弹片 Wire Protector

CERTIFICATION	
<p>Base: With 1.2mm elevated base Screws: Steel Ni plated Clamp: Brass, Ni plated Shrapnel: Phosphor bronze, Ni plated Housing material: PA66, UL94V-2 Temp. range: -40°C~+105°C Poles available: 2-12P</p>	



Model	mm ²	UL			ICE		Screw	Dimensions(mm/in)						
								Unit	A	B	C	D	E	F
MY8HW+1.2	1.5	300V	17.5A	450V	24A	M2.6x5	mm	94.0	17.0	14.20	8.00	3.00	2.80	
MY10HW+1.2	2.5	300V	28A	750V	24A	M3.0x6	mm	116.7	20.3	17.20	10.00	3.50	3.20	
MY12HW+1.2	6.0	600V	41A	750V	45A	M3.5x7	mm	139.7	24.0	19.00	12.00	3.90	3.90	
MY16HW+1.2	10.0	600V	57A	750V	60A	M4.0x9	mm	171.3	32.0	25.00	14.60	4.40	4.80	

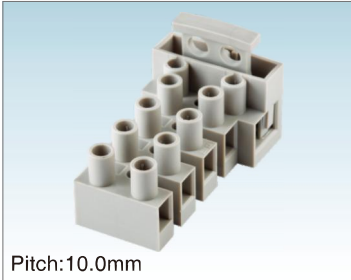
MODEL: MY__HW+4.3

带弹片 Wire Protector

CERTIFICATION	
<p>Base: With 4.3mm elevated base Screws: Steel Ni plated Clamp: Brass, Ni plated Shrapnel: Phosphor bronze, Ni plated Housing material: PA66, UL94V-2 Temp. range: -40°C~+105°C Poles available: 2-12P</p>	



Model	mm ²	UL			ICE		Screw	Dimensions(mm/in)						
								Unit	A	B	C	D	E	F
MY8HW+4.3	1.5	300V	17.5A	450V	24A	M2.6x5	mm	94.0	17.0	17.30	8.00	3.00	2.80	
MY10HW+4.3	2.5	300V	28A	750V	24A	M3.0x6	mm	116.7	20.3	20.30	10.00	3.50	3.20	
MY12HW+4.3	6.0	600V	41A	750V	45A	M3.5x7	mm	139.7	24.0	22.10	12.00	3.90	3.90	
MY16HW+4.3	10.0	600V	57A	750V	60A	M4.0x9	mm	171.3	32.0	28.10	14.60	4.40	4.80	

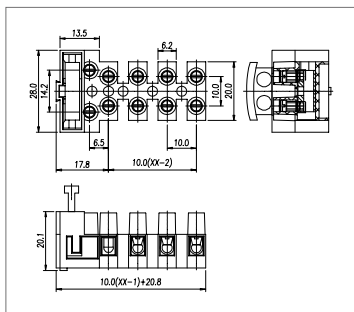


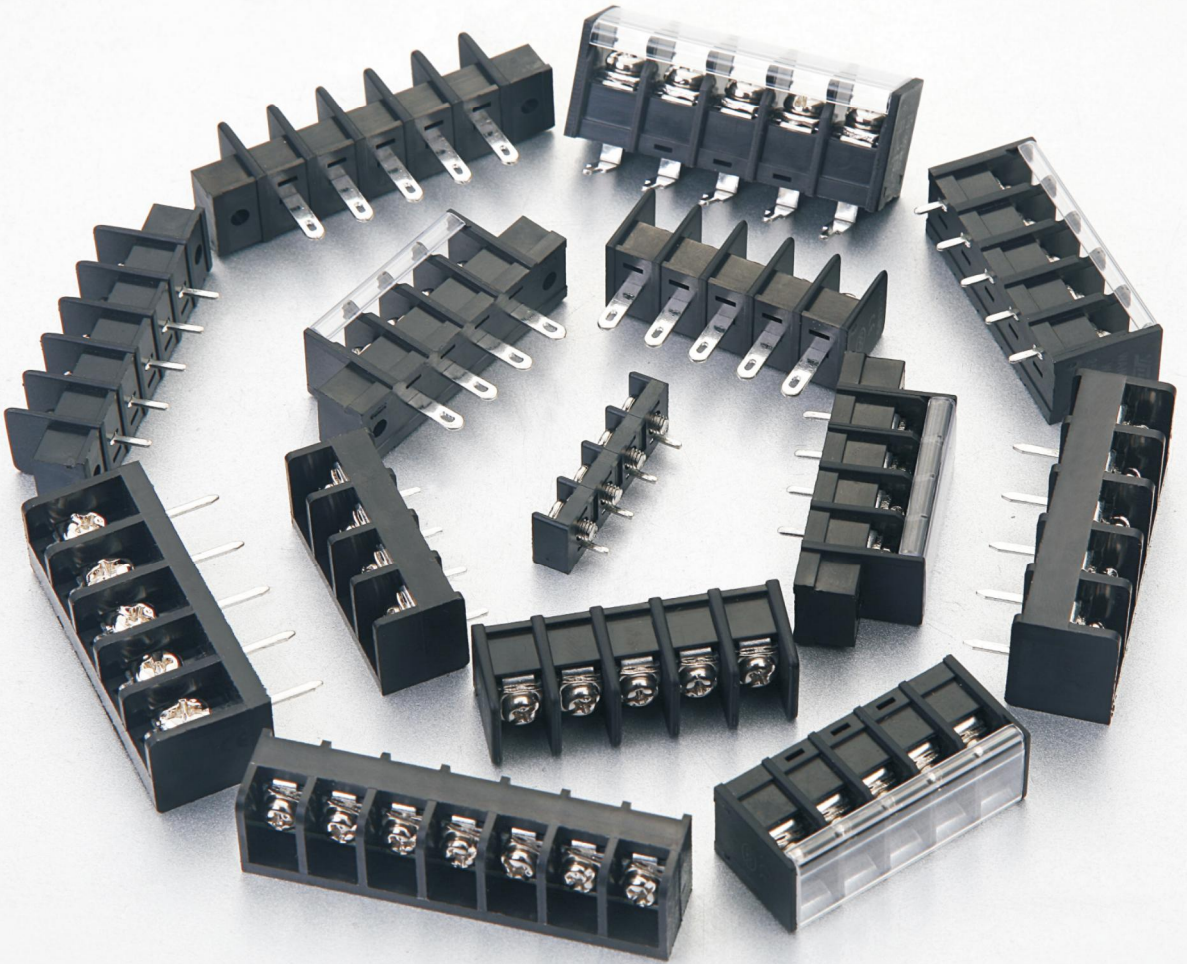
Pitch: 10.0mm

MODEL: MY510

CERTIFICATION			
---------------	--	--	--

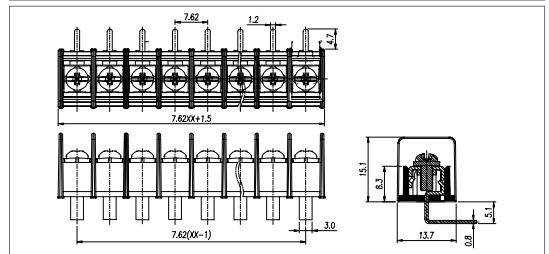
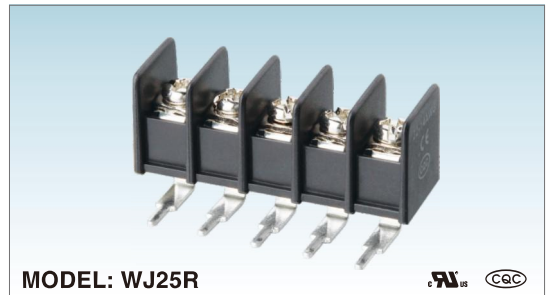
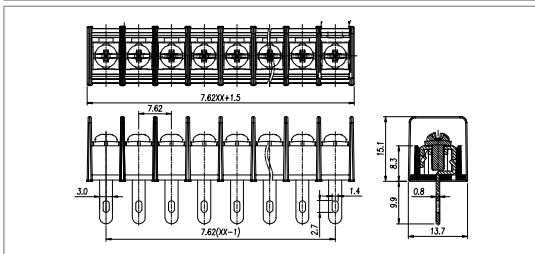
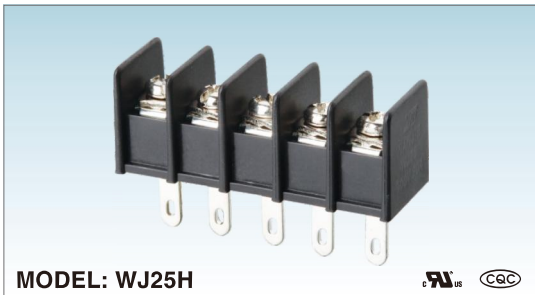
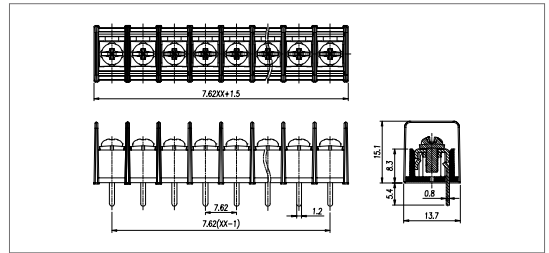
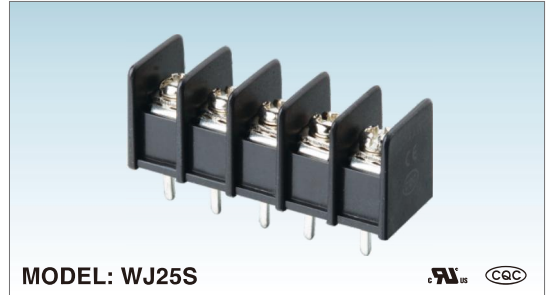
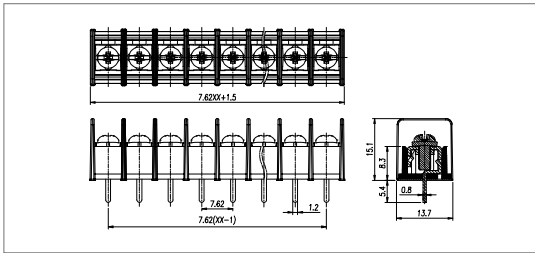
MATERIAL		
Screws	M3.0 Steel Zn plated	
Shrapnel	Phosphor bronze, Ni plated	
Clamp	Brass, Ni plated	
Housing	PA66, UL94V-0	
ELECTRICAL		
Standard	UL	IEC
Rated voltage	300V	250V
Rated current	6.3A	6.3A
Wire range	22-14AWG	2.5mm ²
Contact resistance	20mΩ	
Insulation resistance	500MΩ/DC500V	
Withstanding voltage	AC2000V/1Min	
MECHANICAL		
Temp. range	-40°C~+105°C	
Torque	5.10kgf-cm/0.5Nm/4.43Lbin	
Strip length	5-6mm	





BARRIER TERMINAL BLOCK

Barrier terminal blocks, connecting easily, provide the size from 0.5mm² to 6.0mm², Available with different pitches from 6.35mm to 14.0mm. with cover and without cover. The product is designed in accordance with IEC 60998, UL1059, CSA C22.2 NO. 158 standards.

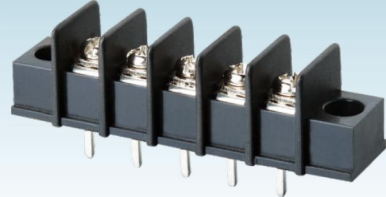


MATERIAL	
Screws	M3.0 Steel Ni plated
Pin Header	Brass, Sn plated
Housing	PA66, UL94V-0

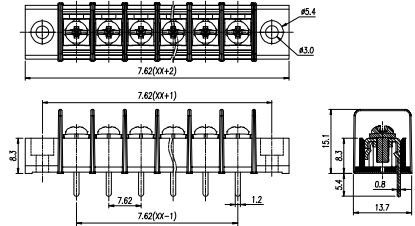
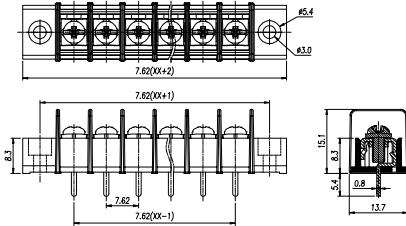
ELECTRICAL	UL	IEC
Standard	300V	250V
Rated voltage	15A	24A
Rated current	22-14AWG	2.5mm ²
Wire range	20mΩ	
Contact Resistance	500MΩ/DC500V	
Insulation resistance	AC2000V/1Min	
Withstanding voltage	-40°C ~ +105°C	
Temp. range	5.10kgf-cm/0.5Nm/4.43Lbin	
Torque		



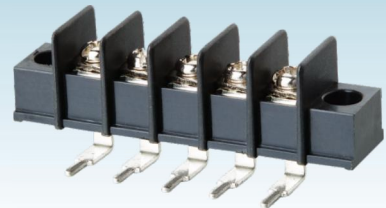
MODEL: WJ25CM



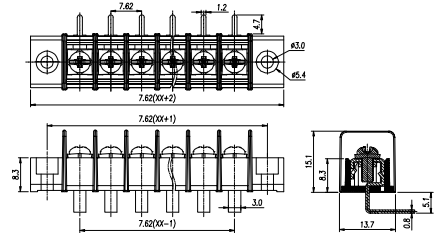
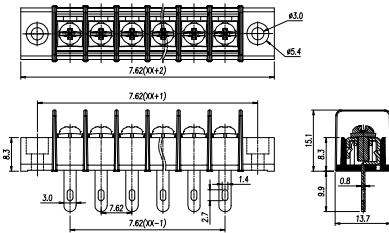
MODEL: WJ25SM



MODEL: WJ25HM



MODEL: WJ25RM

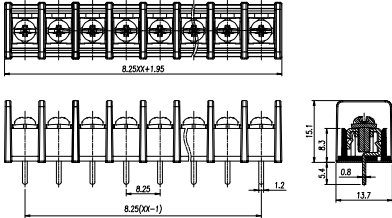


MATERIAL	
Screws	M3.0 Steel Ni plated
Pin Header	Brass, Sn plated
Housing	PA66, UL94V-0

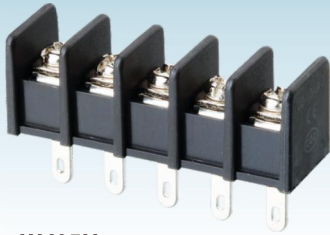
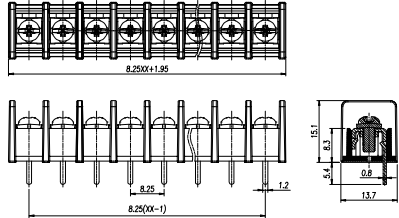
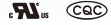
ELECTRICAL		
Standard	UL	IEC
Rated voltage	300V	250V
Rated current	15A	24A
Wire range	22-14AWG	2.5mm ²
Contact Resistance	20mΩ	
Insulation resistance	500MΩ/DC500V	
Withstanding voltage	AC2000V/1Min	
Temp. range	-40°C ~ +105°C	
Torque	5.10kgf-cm/0.5Nm/4.43Lbin	



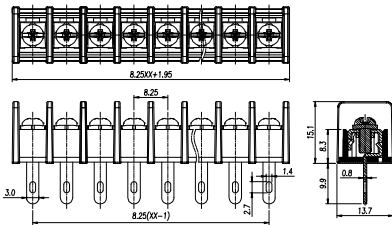
MODEL: WJ35C



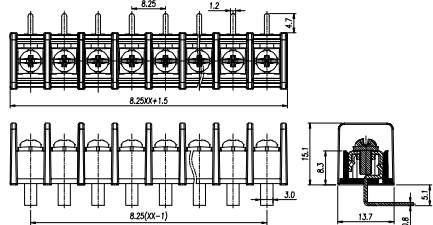
MODEL: WJ35S



MODEL: WJ35H



MODEL: WJ35R

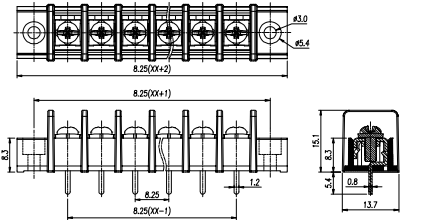


MATERIAL	
Screws	M3.0 Steel Ni plated
Pin Header	Brass, Sn plated
Housing	PA66, UL94V-0

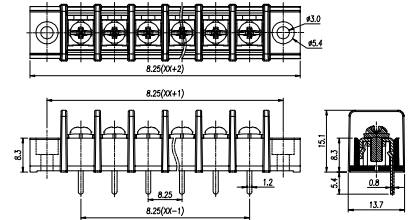
ELECTRICAL		
Standard	UL	IEC
Rated voltage	300V	250V
Rated current	15A	24A
Wire range	22-14AWG	2.5mm ²
Contact Resistance	20mΩ	
Insulation resistance	500MΩ/DC500V	
Withstanding voltage	AC2000V/1Min	
Temp. range	-40°C ~ +105°C	
Torque	5.10kgf-cm/0.5Nm/4.43Lbin	



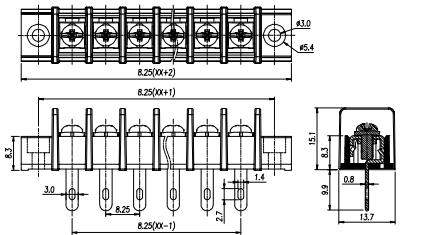
MODEL: WJ35CM



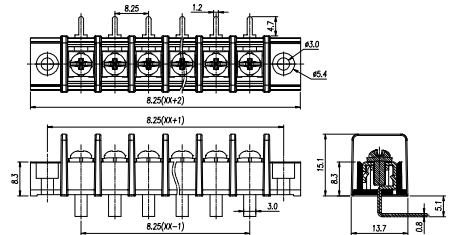
MODEL: WJ35SM



MODEL: WJ35HM

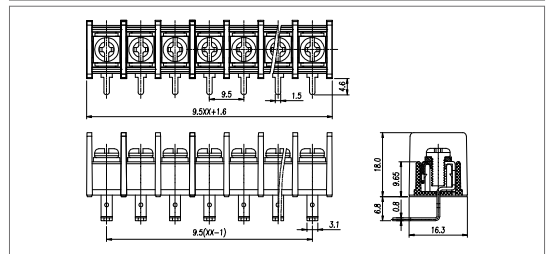
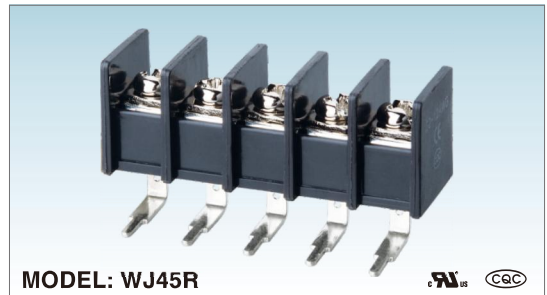
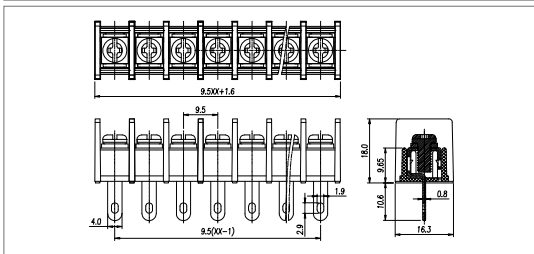
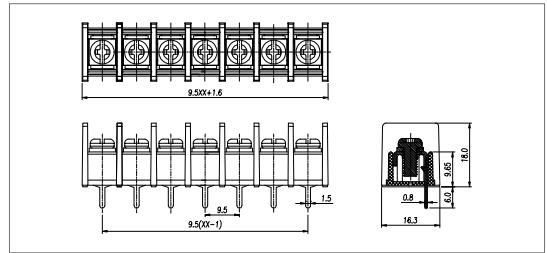
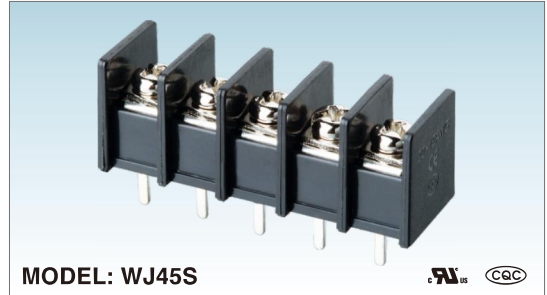
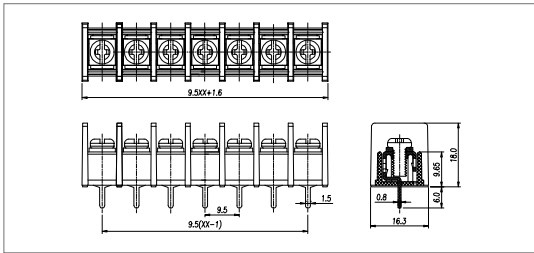


MODEL: WJ35RM



MATERIAL	
Screws	M3.0 Steel Ni plated
Pin Header	Brass, Sn plated
Housing	PA66, UL94V-0

ELECTRICAL		
Standard	UL	IEC
Rated voltage	300V	250V
Rated current	15A	24A
Wire range	22-14AWG	2.5mm ²
Contact Resistance	20mΩ	
Insulation resistance	500MΩ/DC500V	
Withstanding voltage	AC2000V/1Min	
Temp. range	-40°C ~ +105°C	
Torque	5.10kgf-cm/0.5Nm/4.43Lbin	



MATERIAL	
Screws	M4.0 Steel Ni plated
Pin Header	Brass, Sn plated
Housing	PA66, UL94V-0

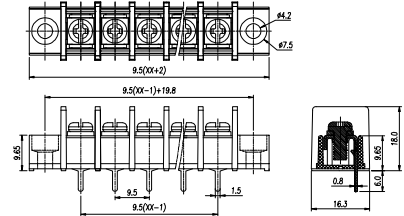
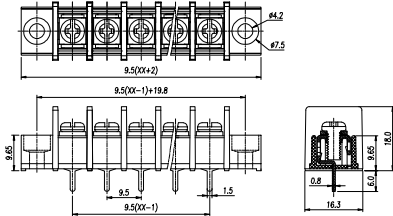
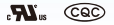
ELECTRICAL		
Standard	UL	IEC
Rated voltage	300V	750V
Rated current	20A	32A
Wire range	22-12AWG	4.0mm ²
Contact Resistance	20mΩ	
Insulation resistance	500MΩ/DC500V	
Withstanding voltage	AC2000V/1Min	
Temp. range	-40°C~+105°C	
Torque	12.24kgf-cm/1.2Nm/10.6Lbin	



MODEL: WJ45CM



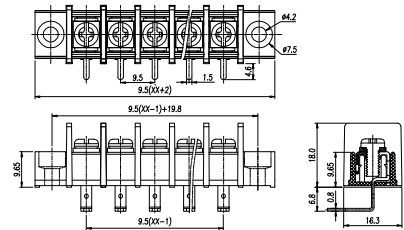
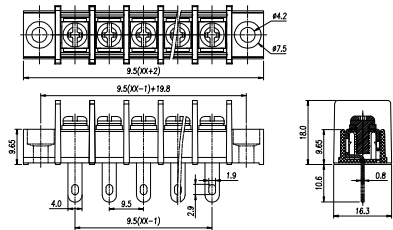
MODEL: WJ45SM



MODEL: WJ45HM

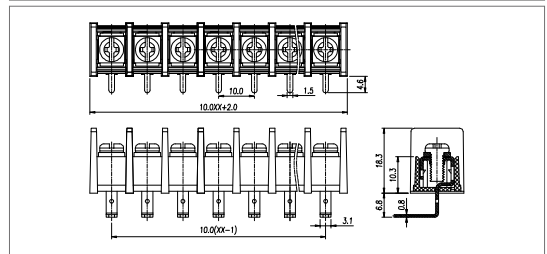
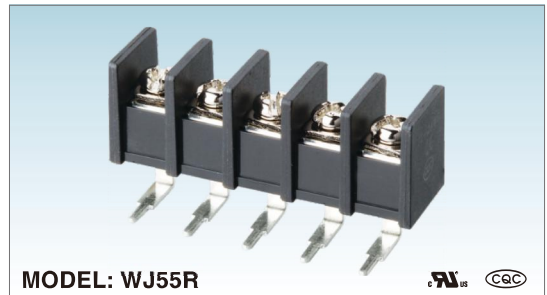
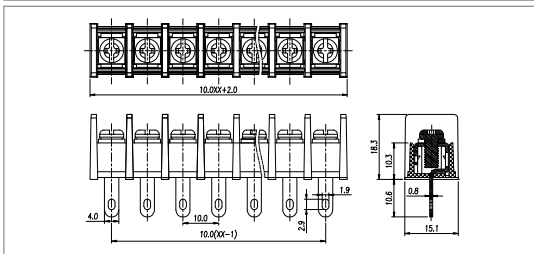
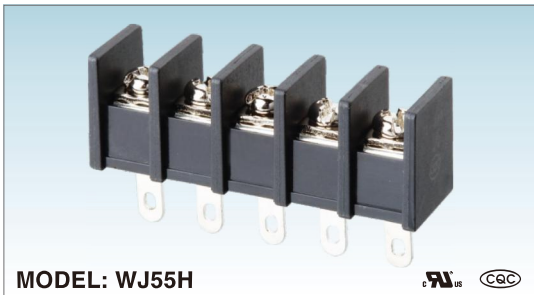
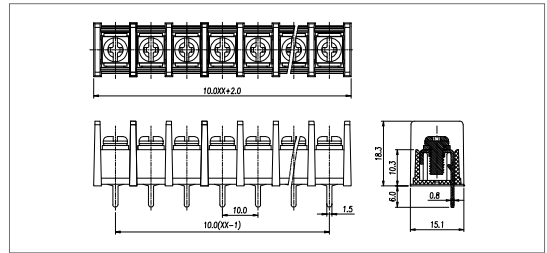
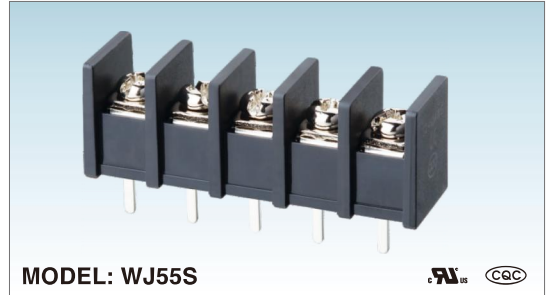
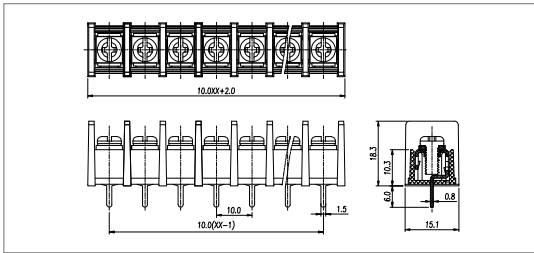


MODEL: WJ45RM



MATERIAL	
Screws	M4.0 Steel Ni plated
Pin Header	Brass, Sn plated
Housing	PA66, UL94V-0

ELECTRICAL		
Standard	UL	IEC
Rated voltage	300V	750V
Rated current	20A	32A
Wire range	22-12AWG	4.0mm ²
Contact Resistance	20mΩ	
Insulation resistance	500MΩ/DC500V	
Withstanding voltage	AC2000V/1Min	
Temp. range	-40°C~+105°C	
Torque	12.24kgf-cm/1.2Nm/10.6lbin	

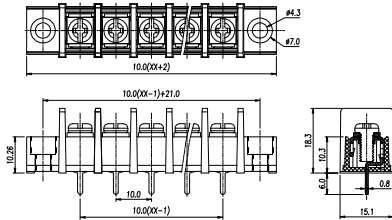


MATERIAL	
Screws	M4.0 Steel Ni plated
Pin Header	Brass, Sn plated
Housing	PA66, UL94V-0

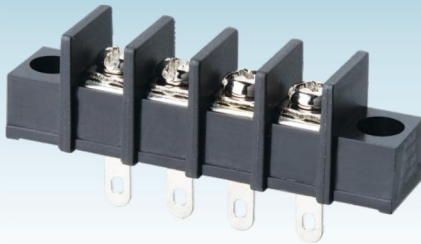
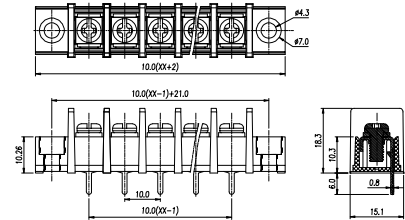
ELECTRICAL	UL	IEC
Standard	300V	750V
Rated voltage	20A	32A
Rated current	22-12AWG	4.0mm ²
Wire range	20mΩ	
Contact Resistance	500MΩ/DC500V	
Insulation resistance	AC2000V/1Min	
Withstanding voltage	-40°C ~ +105°C	
Temp. range	12.24kgf-cm/1.2Nm/10.6Lbin	
Torque		



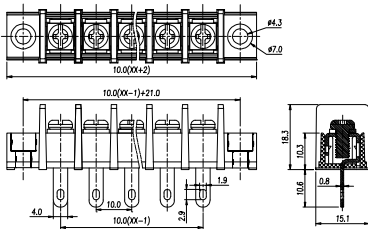
MODEL: WJ55CM



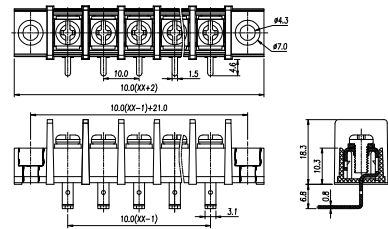
MODEL: WJ55SM



MODEL: WJ55HM



MODEL: WJ55RM

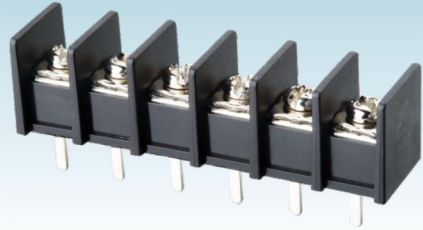
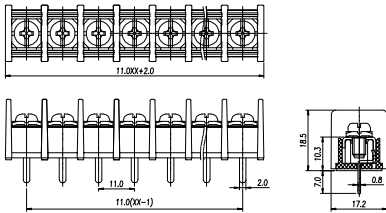


MATERIAL	
Screws	M4.0 Steel Ni plated
Pin Header	Brass, Sn plated
Housing	PA66, UL94V-0

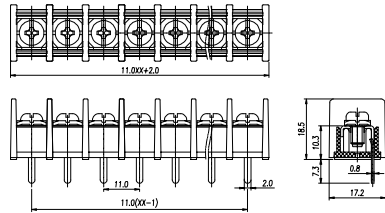
ELECTRICAL		
Standard	UL	IEC
Rated voltage	300V	750V
Rated current	20A	32A
Wire range	22-12AWG	4.0mm ²
Contact Resistance	20mΩ	
Insulation resistance	500MΩ/DC500V	
Withstanding voltage	AC2000V/1Min	
Temp. range	-40°C~+105°C	
Torque	12.24kgf-cm/1.2Nm/10.6lbin	



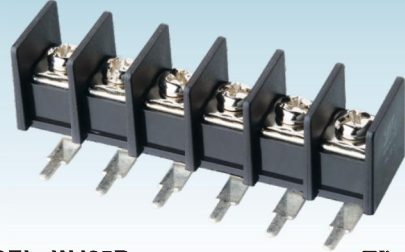
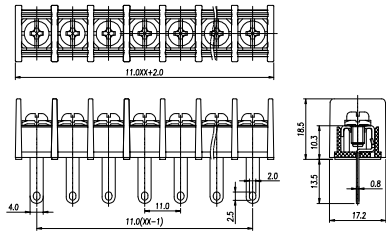
MODEL: WJ65C



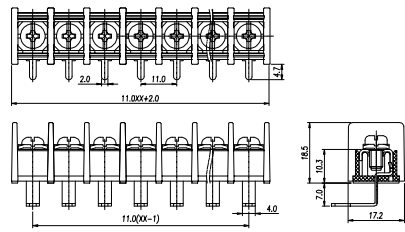
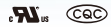
MODEL: WJ65S



MODEL: WJ65H

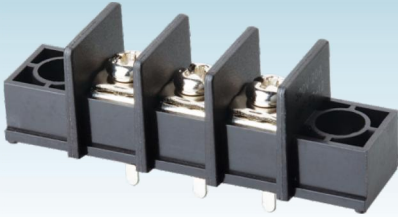


MODEL: WJ65R

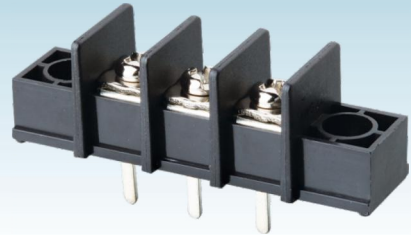
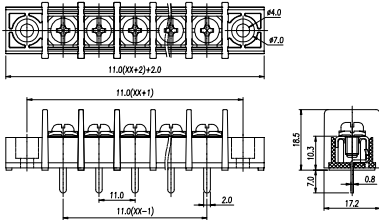


MATERIAL	
Screws	M4.0 Steel Ni plated
Pin Header	Brass, Sn plated
Housing	PA66, UL94V-0

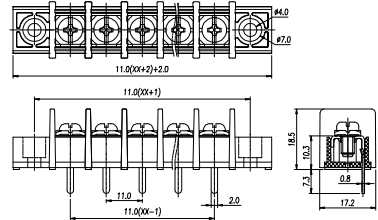
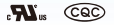
ELECTRICAL		
Standard	UL	IEC
Rated voltage	300V	750V
Rated current	20A	32A
Wire range	22-12AWG	4.0mm ²
Contact Resistance	20mΩ	
Insulation resistance	500MΩ/DC500V	
Withstanding voltage	AC2000V/1Min	
Temp. range	-40°C ~ +105°C	
Torque	12.24kgf-cm/1.2Nm/10.6Lbin	



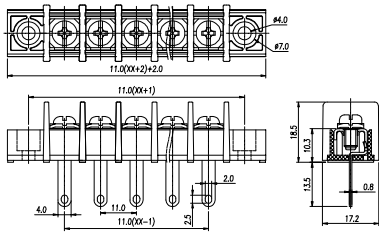
MODEL: WJ65CM



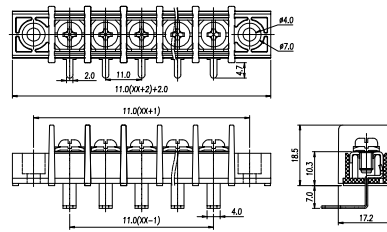
MODEL: WJ65SM



MODEL: WJ65HM

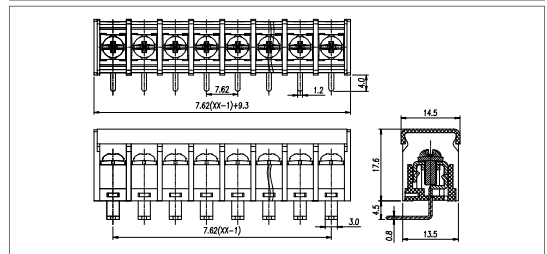
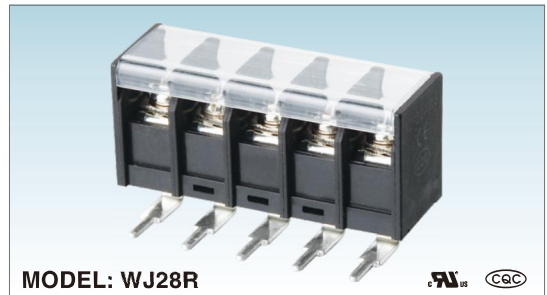
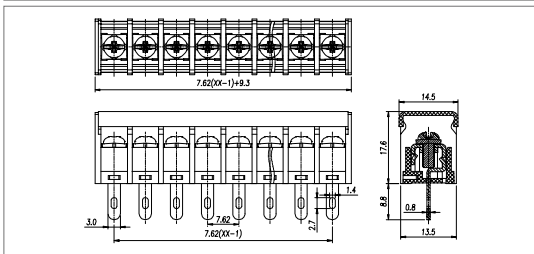
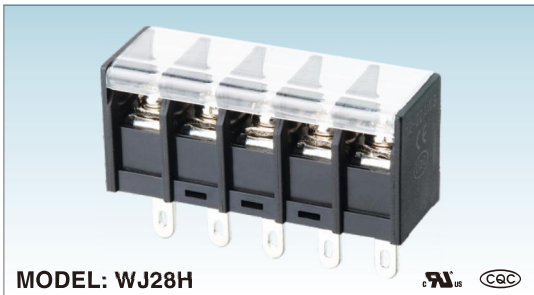
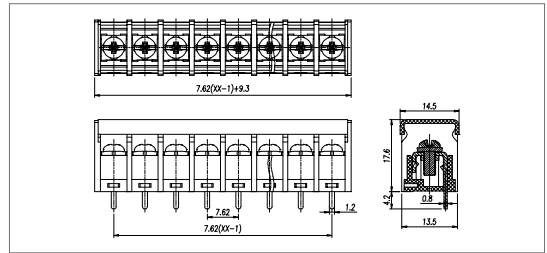
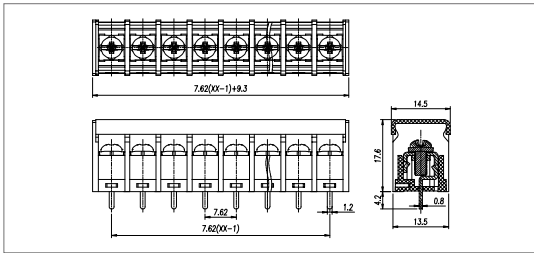
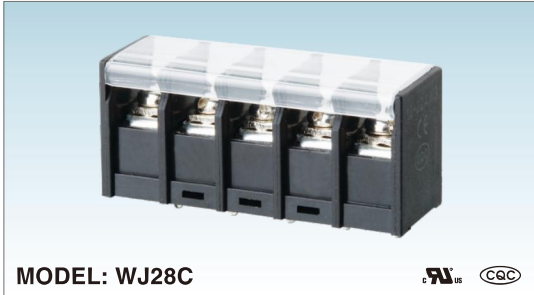


MODEL: WJ65RM



MATERIAL	
Screws	M4.0 Steel Ni plated
Pin Header	Brass, Sn plated
Housing	PA66, UL94V-0

ELECTRICAL		
Standard	UL	IEC
Rated voltage	300V	750V
Rated current	20A	32A
Wire range	22-12AWG	4.0mm ²
Contact Resistance	20mΩ	
Insulation resistance	500MΩ/DC500V	
Withstanding voltage	AC2000V/1Min	
Temp. range	-40°C~+105°C	
Torque	12.24kgf-cm/1.2Nm/10.6lbin	

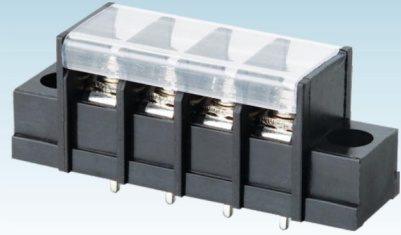
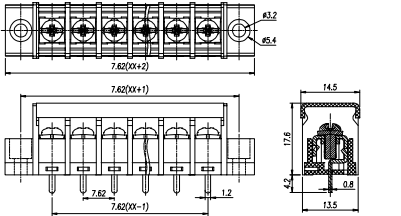


MATERIAL	
Screws	M3.0 Steel Ni plated
Pin Header	Brass, Sn plated
Housing	PA66, UL94V-0

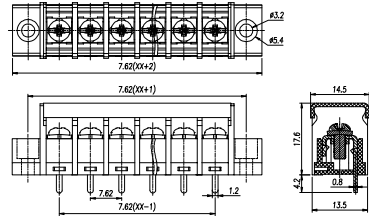
ELECTRICAL		
Standard	UL	IEC
Rated voltage	300V	450V
Rated current	15A	24A
Wire range	22-14AWG	2.5mm ²
Contact Resistance	20mΩ	
Insulation resistance	500MΩ/DC500V	
Withstanding voltage	AC2000V/1Min	
Temp. range	-40°C ~ +105°C	
Torque	5.10kgf-cm/0.5Nm/4.43Lbin	



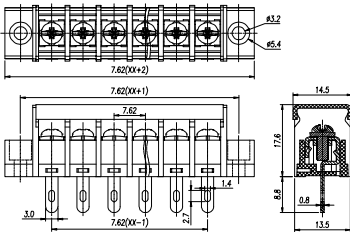
MODEL: WJ28CM



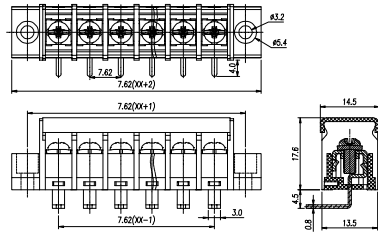
MODEL: WJ28SM



MODEL: WJ28HM



MODEL: WJ28RM

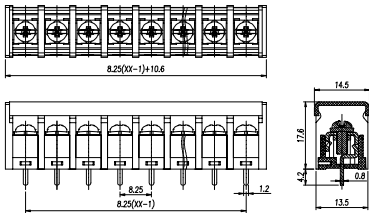


MATERIAL	
Screws	M3.0 Steel Ni plated
Pin Header	Brass, Sn plated
Housing	PA66, UL94V-0

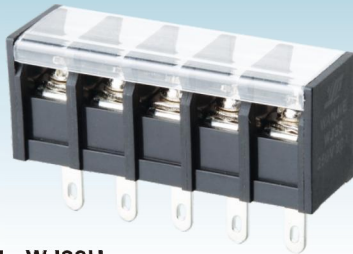
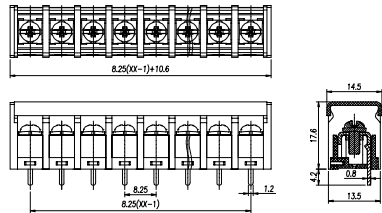
ELECTRICAL		
Standard	UL	IEC
Rated voltage	300V	450V
Rated current	15A	24A
Wire range	22-14AWG	2.5mm ²
Contact Resistance	20mΩ	
Insulation resistance	500MΩ/DC500V	
Withstanding voltage	AC2000V/1Min	
Temp. range	-40°C ~ +105°C	
Torque	5.10kgf-cm/0.5Nm/4.43Lbin	



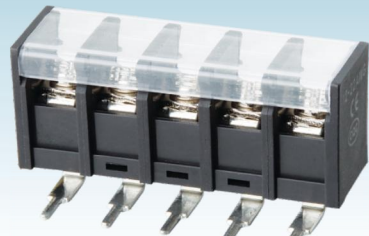
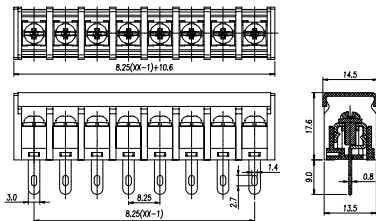
MODEL: WJ38C



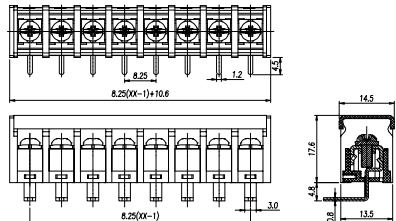
MODEL: WJ38S



MODEL: WJ38H



MODEL: WJ38R

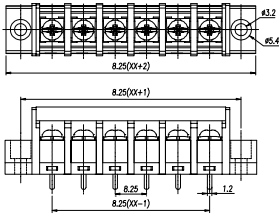


MATERIAL	
Screws	M3.0 Steel Ni plated
Pin Header	Brass, Sn plated
Housing	PA66, UL94V-0

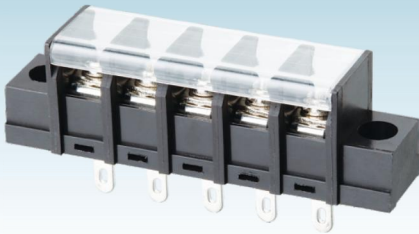
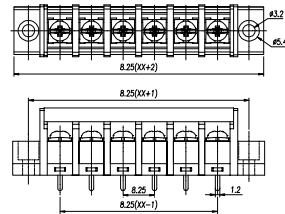
ELECTRICAL		
Standard	UL	IEC
Rated voltage	300V	450V
Rated current	15A	24A
Wire range	22-14AWG	2.5mm ²
Contact Resistance	20mΩ	
Insulation resistance	500MΩ/DC500V	
Withstanding voltage	AC2000V/1Min	
Temp. range	-40°C ~ +105°C	
Torque	5.10kgf-cm/0.5Nm/4.43Lbin	



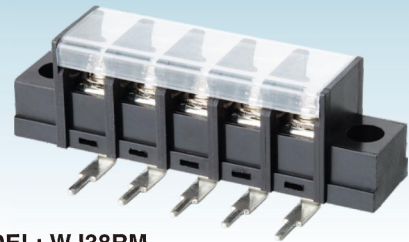
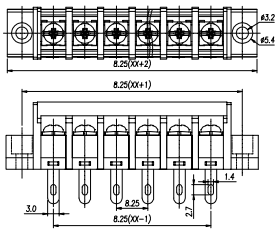
MODEL: WJ38CM



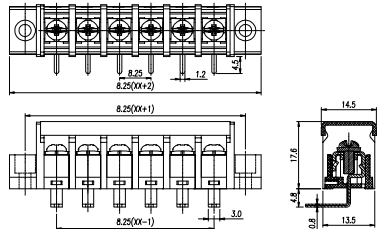
MODEL: WJ38SM



MODEL: WJ38HM

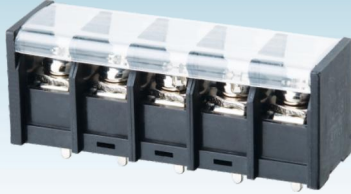


MODEL: WJ38RM

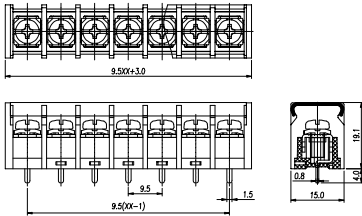


MATERIAL	
Screws	M3.0 Steel Ni plated
Pin Header	Brass, Sn plated
Housing	PA66, UL94V-0

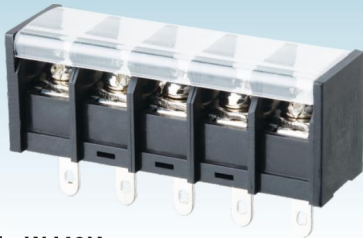
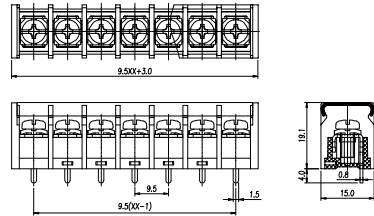
ELECTRICAL		
Standard	UL	IEC
Rated voltage	300V	450V
Rated current	15A	24A
Wire range	22-14AWG	2.5mm ²
Contact Resistance	20mΩ	
Insulation resistance	500MΩ/DC500V	
Withstanding voltage	AC2000V/1Min	
Temp. range	-40°C ~ +105°C	
Torque	5.10kgf-cm/0.5Nm/4.43Lbin	



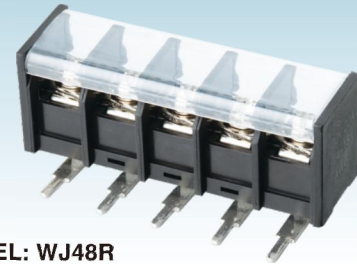
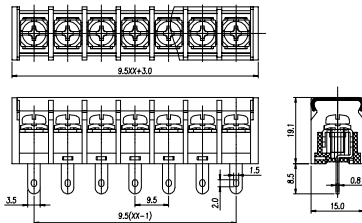
MODEL: WJ48C



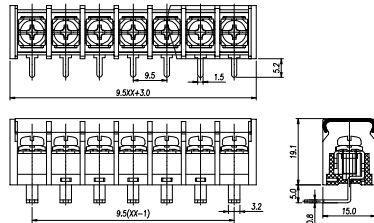
MODEL: WJ48S



MODEL: WJ48H

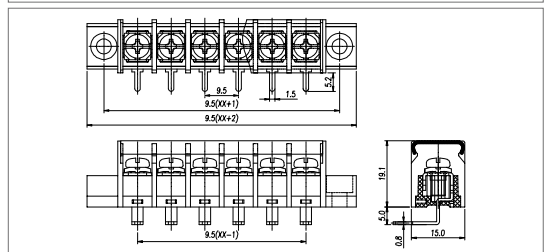
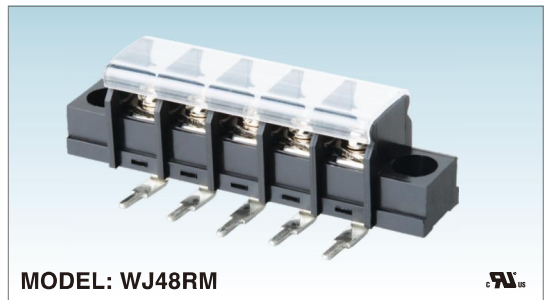
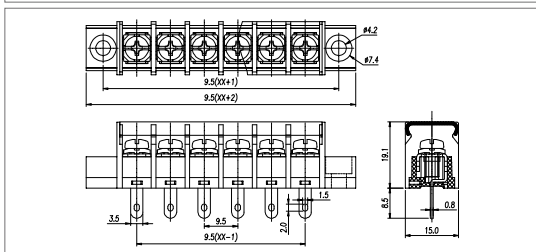
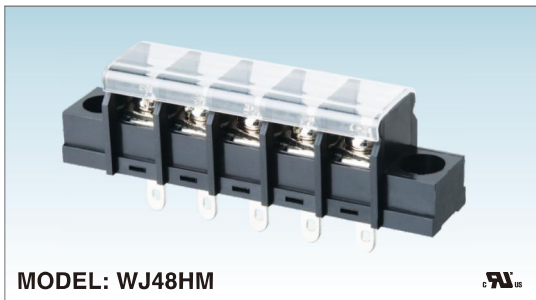
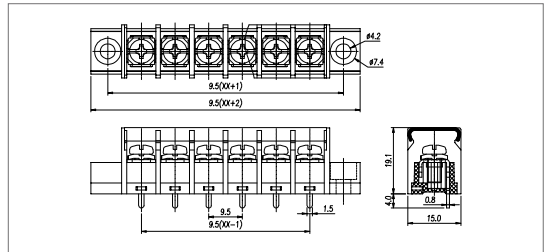
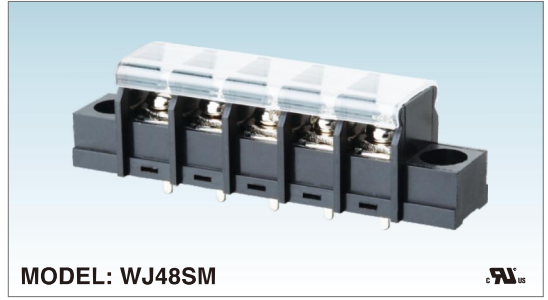
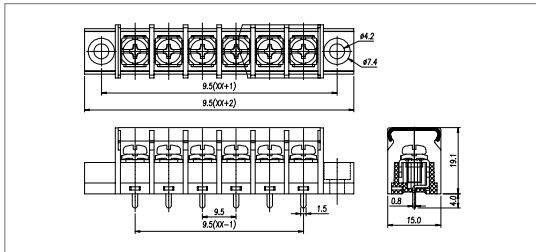


MODEL: WJ48R



MATERIAL	
Screws	M4.0 Steel Ni plated
Pin Header	Brass, Sn plated
Housing	PA66, UL94V-0

ELECTRICAL	UL	IEC
Standard	300V	750V
Rated voltage	20A	32A
Rated current	22-12AWG	4.0mm ²
Wire range	20mΩ	
Contact Resistance	500MΩ/DC500V	
Insulation resistance	AC2000V/1Min	
Withstanding voltage	-40°C~+105°C	
Temp. range	12.24kgf-cm/1.2Nm/10.6Lbin	
Torque		

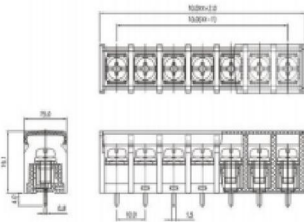


MATERIAL	
Screws	M4.0 Steel Ni plated
Pin Header	Brass, Sn plated
Housing	PA66, UL94V-0

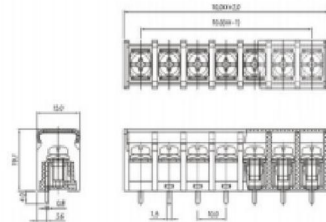
ELECTRICAL		
Standard	UL	IEC
Rated voltage	300V	750V
Rated current	20A	32A
Wire range	22-12AWG	4.0mm ²
Contact Resistance	20mΩ	
Insulation resistance	500MΩ/DC500V	
Withstanding voltage	AC2000V/1Min	
Temp. range	-40°C~+105°C	
Torque	12.24kgf-cm/1.2Nm/10.6lbin	



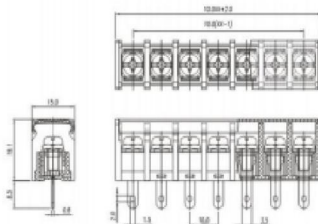
MODEL: WJ58C



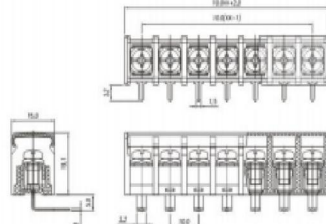
MODEL: WJ58S



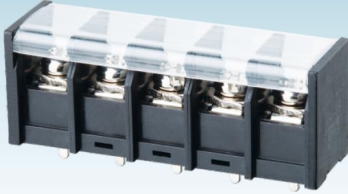
MODEL: WJ58H



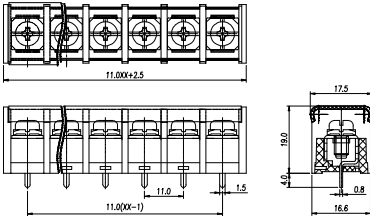
MODEL: WJ58R



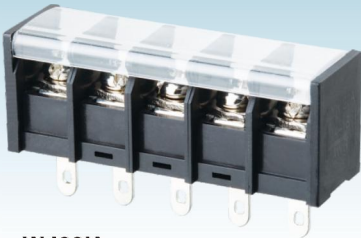
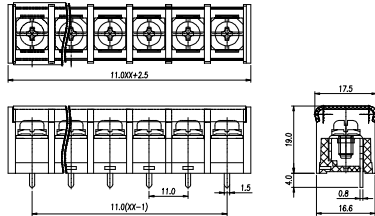
MATERIAL		ELECTRICAL	
Screws	M4.0 Steel Ni plated	Standard	UL IEC
Pin Header	Brass, Sn plated	Rated voltage	300V 750V
Housing	PA66, UL94V-0	Rated current	20A 32A
		Wire range	22-12AWG 4.0mm ²
		Contact Resistance	20mΩ
		Insulation resistance	500MΩ/DC500V
		Withstanding voltage	AC2000V/1Min
		Temp. range	-40°C ~ +105°C
		Torque	12.24kgf-cm/1.2Nm/10.6lb.in



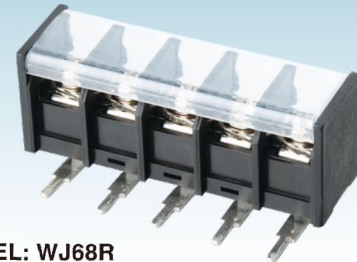
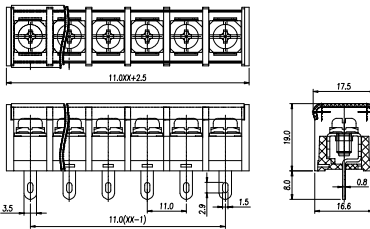
MODEL: WJ68C



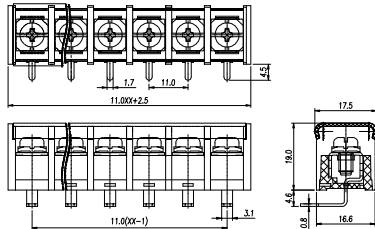
MODEL: WJ68S



MODEL: WJ68H

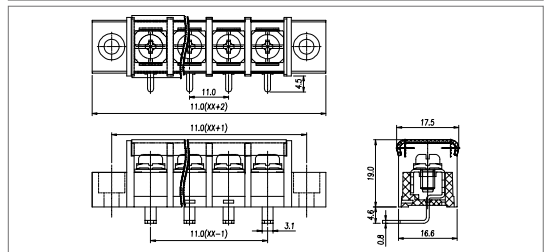
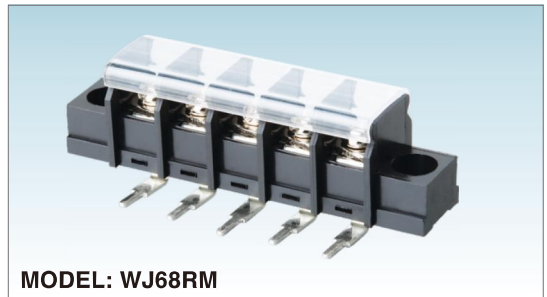
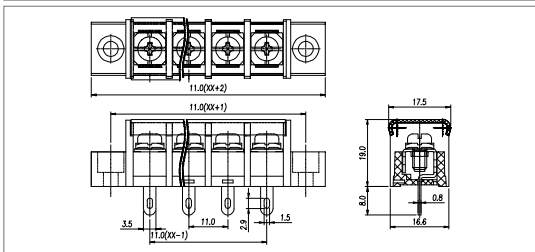
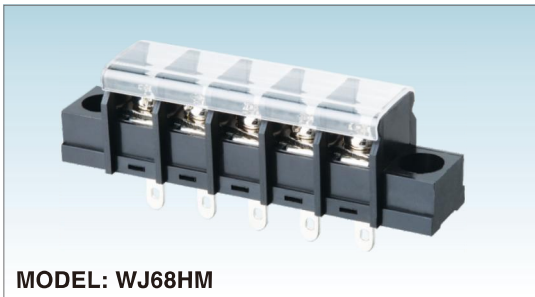
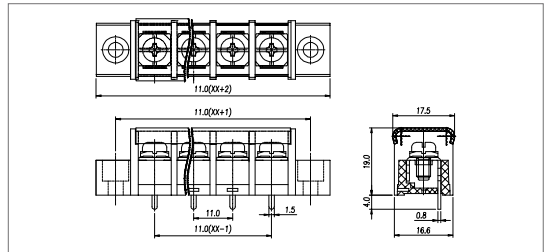
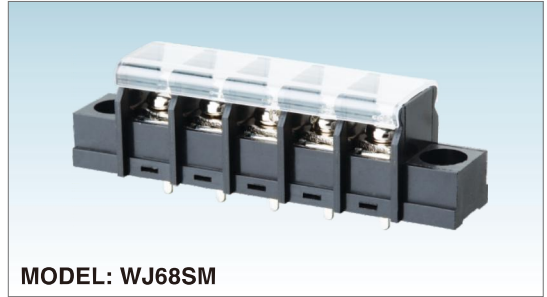
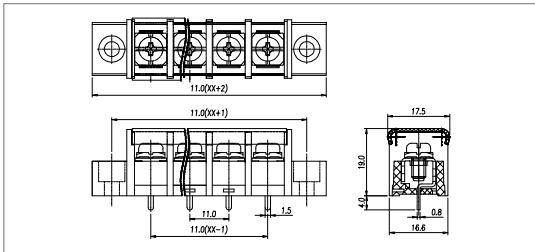


MODEL: WJ68R



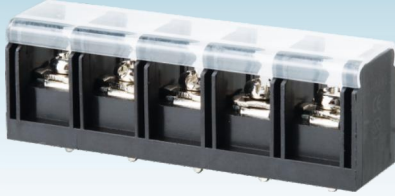
MATERIAL	
Screws	M4.0 Steel Ni plated
Pin Header	Brass, Sn plated
Housing	PA66, UL94V-0

ELECTRICAL		
Standard	UL	IEC
Rated voltage	300V	750V
Rated current	20A	32A
Wire range	22-12AWG	4.0mm ²
Contact Resistance	20mΩ	
Insulation resistance	500MΩ/DC500V	
Withstanding voltage	AC2000V/1Min	
Temp. range	-40°C ~ +105°C	
Torque	12.24kgf-cm/1.2Nm/10.6Lbin	

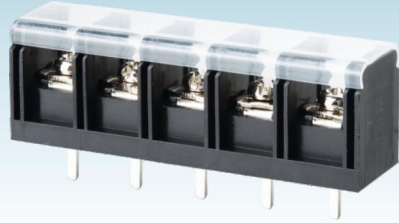
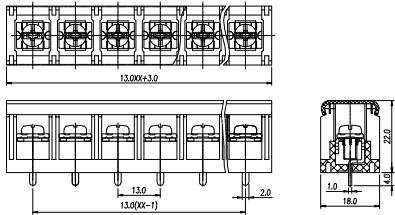


MATERIAL	
Screws	M4.0 Steel Ni plated
Pin Header	Brass, Sn plated
Housing	PA66, UL94V-0

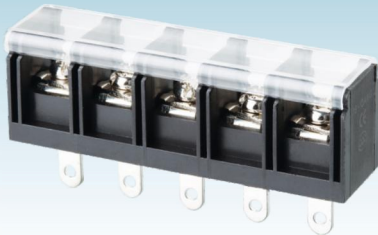
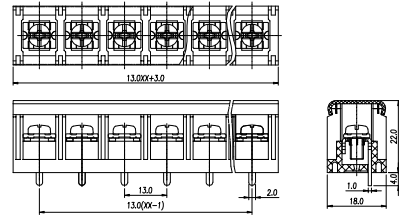
ELECTRICAL		
Standard	UL	IEC
Rated voltage	300V	750V
Rated current	20A	32A
Wire range	22-12AWG	4.0mm ²
Contact Resistance	20mΩ	
Insulation resistance	500MΩ/DC500V	
Withstanding voltage	AC2000V/1Min	
Temp. range	-40°C~+105°C	
Torque	12.24kgf-cm/1.2Nm/10.6lbin	



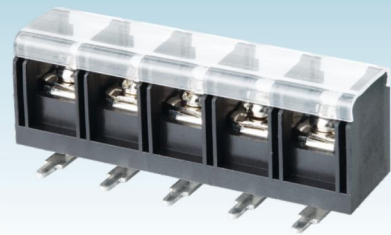
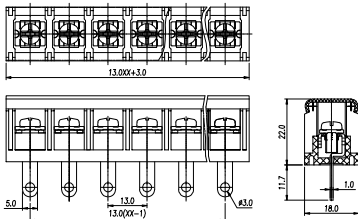
MODEL: WJ78C



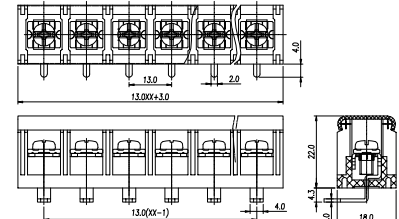
MODEL: WJ78S



MODEL: WJ78H



MODEL: WJ78R

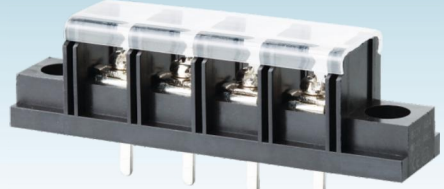
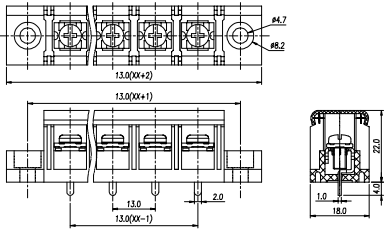


MATERIAL	
Screws	M4.0 Steel Ni plated
Pin Header	Brass, Sn plated
Housing	PA66, UL94V-0

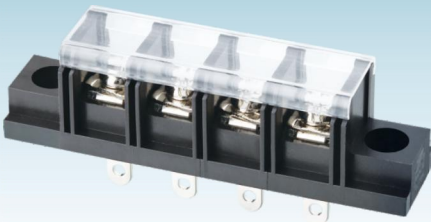
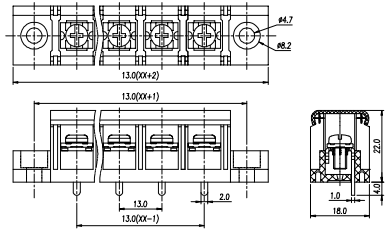
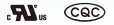
ELECTRICAL		
Standard	UL	IEC
Rated voltage	600V	750V
Rated current	40A	41A
Wire range	18-10AWG	6.0mm ²
Contact Resistance	20mΩ	
Insulation resistance	500MΩ/DC500V	
Withstanding voltage	AC2000V/1Min	
Temp. range	-40°C ~ +105°C	
Torque	12.24kgf-cm/1.2Nm/10.6Lbin	



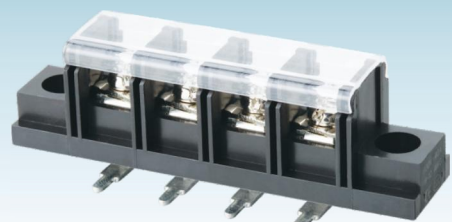
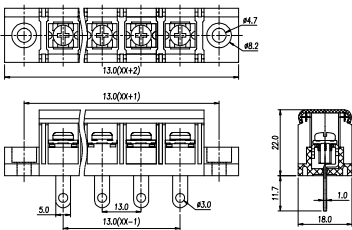
MODEL: WJ78CM



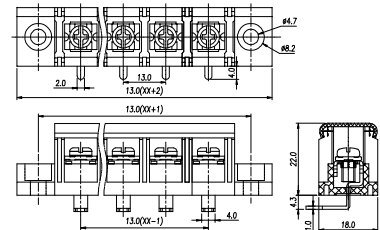
MODEL: WJ78SM



MODEL: WJ78HM



MODEL: WJ78RM



MATERIAL	
Screws	M4.0 Steel Ni plated
Pin Header	Brass, Sn plated
Housing	PA66, UL94V-0

ELECTRICAL		
Standard	UL	IEC
Rated voltage	600V	750V
Rated current	40A	41A
Wire range	18-10AWG	6.0mm ²
Contact Resistance	20mΩ	
Insulation resistance	500MΩ/DC500V	
Withstanding voltage	AC2000V/1Min	
Temp. range	-40°C ~ +105°C	
Torque	12.24kgf-cm/1.2Nm/10.6lbin	



Pitch:7.62mm

MODEL: WJ06

CERTIFICATION	
---------------	--



Pitch:6.35mm

MODEL: WJ16

CERTIFICATION	
---------------	--



Pitch:6.35mm

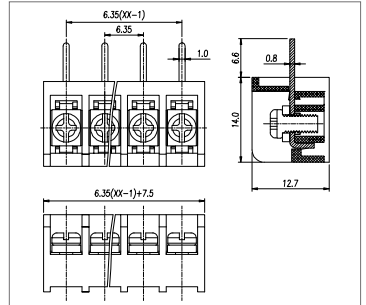
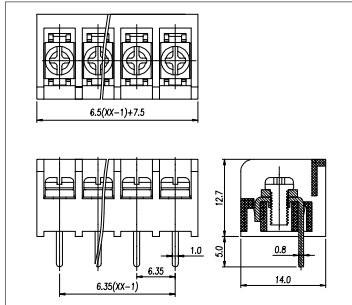
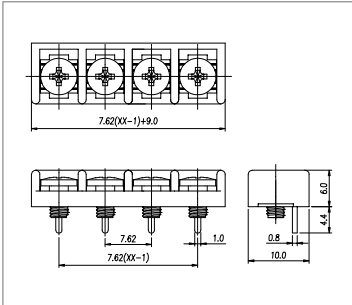
MODEL: WJ16A

CERTIFICATION	
---------------	--

MATERIAL		
Screws	M3.0 Steel Ni plated	
Pin Herder	Brass, Sn plated	
Housing	PA66, UL94V-0	
ELECTRICAL		
Standard	UL	IEC
Rated voltage	300V	250V
Rated current	15A	24A
Wire range	22-14AWG	2.5mm ²
Contact Resistance	20mΩ	
Insulation resistance	500MΩ/DC500V	
Withstanding voltage	AC2000V/1Min	
MECHANICAL		
Temp. range	-40°C--+105°C	
Torque	5.1kgf-cm/0.5Nm/4.43Lbin	

MATERIAL		
Screws	M3.0 Steel Ni plated	
Pin Herder	Brass, Sn plated	
Housing	PA66, UL94V-0	
ELECTRICAL		
Standard	UL	IEC
Rated voltage	300V	250V
Rated current	10A	17.5A
Wire range	22-16AWG	1.5mm ²
Contact Resistance	20mΩ	
Insulation resistance	500MΩ/DC500V	
Withstanding voltage	AC2000V/1Min	
MECHANICAL		
Temp. range	-40°C--+105°C	
Torque	5.1kgf-cm/0.5Nm/4.43Lbin	

MATERIAL		
Screws	M3.0 Steel Ni plated	
Pin Herder	Brass, Sn plated	
Housing	PA66, UL94V-0	
ELECTRICAL		
Standard	UL	IEC
Rated voltage	300V	250V
Rated current	10A	17.5A
Wire range	22-16AWG	1.5mm ²
Contact Resistance	20mΩ	
Insulation resistance	500MΩ/DC500V	
Withstanding voltage	AC2000V/1Min	
MECHANICAL		
Temp. range	-40°C--+105°C	
Torque	5.1kgf-cm/0.5Nm/4.43Lbin	





Pitch:6.35mm

MODEL: WJ16R

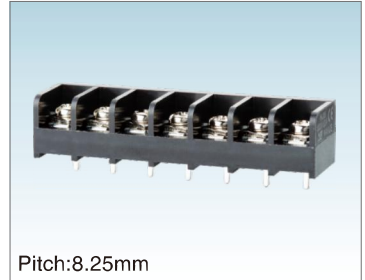
CERTIFICATION	
---------------	--



Pitch:8.5mm

MODEL: WJ26(HB8500)

CERTIFICATION	
---------------	--



Pitch:8.25mm

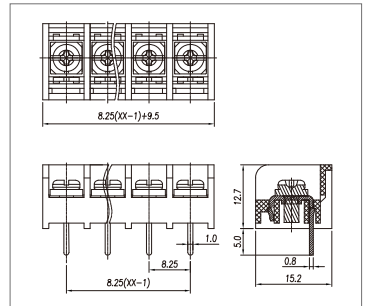
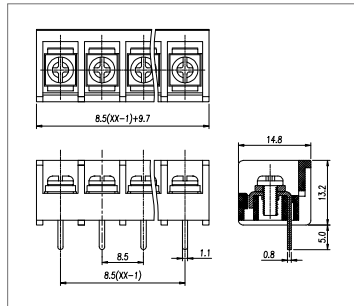
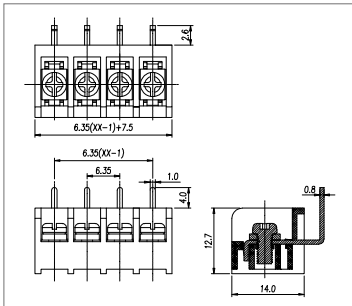
MODEL: WJ36

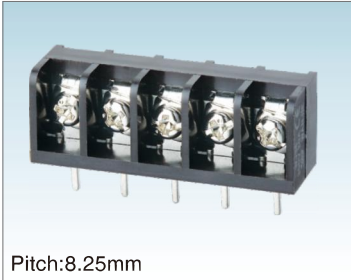
CERTIFICATION	
---------------	--

MATERIAL		
Screws	M3.0 Steel Ni plated	
Pin Herder	Brass, Sn plated	
Housing	PA66, UL94V-0	
ELECTRICAL		
Standard	UL	IEC
Rated voltage	300V	250V
Rated current	10A	17.5A
Wire range	22-16AWG	1.5mm ²
Contact Resistance	20mΩ	
Insulation resistance	500MΩ/DC500V	
Withstanding voltage	AC2000V/1Min	
MECHANICAL		
Temp. range	-40°C--+105°C	
Torque	5.1kgf-cm/0.5Nm/4.43Lbin	

MATERIAL		
Screws	M3.0 Steel Ni plated	
Pin Herder	Brass, Sn plated	
Housing	PA66, UL94V-0	
ELECTRICAL		
Standard	UL	IEC
Rated voltage	300V	450V
Rated current	20A	24A
Wire range	22-12AWG	4.0mm ²
Contact Resistance	20mΩ	
Insulation resistance	500MΩ/DC500V	
Withstanding voltage	AC2000V/1Min	
MECHANICAL		
Temp. range	-40°C--+105°C	
Torque	5.1kgf-cm/0.5Nm/4.43Lbin	

MATERIAL		
Screws	M3.0 Steel Ni plated	
Pin Herder	Brass, Sn plated	
Housing	PA66, UL94V-0	
ELECTRICAL		
Standard	UL	IEC
Rated voltage	300V	450V
Rated current	20A	24A
Wire range	22-12AWG	4.0mm ²
Contact Resistance	20mΩ	
Insulation resistance	500MΩ/DC500V	
Withstanding voltage	AC2000V/1Min	
MECHANICAL		
Temp. range	-40°C--+105°C	
Torque	5.1kgf-cm/0.5Nm/4.43Lbin	





Pitch:8.25mm

MODEL: WJ36A

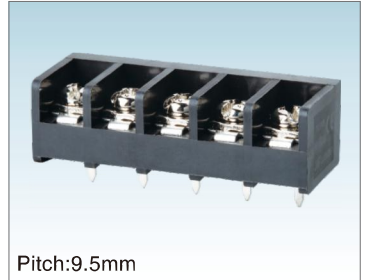
CERTIFICATION	
---------------	--



Pitch:8.25mm

MODEL: WJ36G

CERTIFICATION	
---------------	--



Pitch:9.5mm

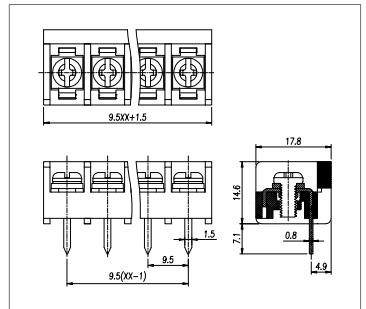
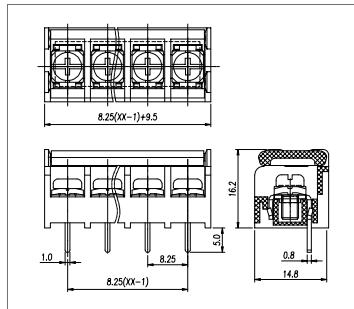
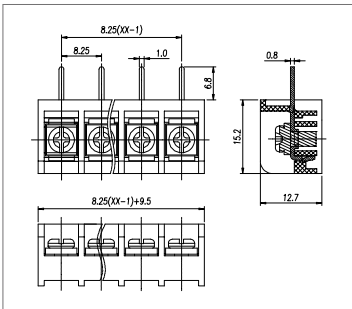
MODEL: WJ46(HB9500)

CERTIFICATION	
---------------	--

MATERIAL	M3.0 Steel Ni plated	
Screws	Brass, Sn plated	
Pin Herder	PA66, UL94V-0	
Housing		
ELECTRICAL	UL	IEC
Standard	300V	450V
Rated voltage	20A	24A
Rated current	22-12AWG	4.0mm ²
Wire range	20mΩ	
Contact Resistance	500MΩ/DC500V	
Insulation resistance	AC2000V/1Min	
Withstanding voltage		
MECHANICAL	-40°C~+105°C	
Temp. range	5.1kgf-cm/0.5Nm/4.43Lbin	
Torque		

MATERIAL	M3.0 Steel Ni plated	
Screws	Brass, Sn plated	
Pin Herder	PA66, UL94V-0	
Housing		
ELECTRICAL	UL	IEC
Standard	300V	450V
Rated voltage	20A	24A
Rated current	22-12AWG	4.0mm ²
Wire range	20mΩ	
Contact Resistance	500MΩ/DC500V	
Insulation resistance	AC2000V/1Min	
Withstanding voltage		
MECHANICAL	-40°C~+105°C	
Temp. range	5.1kgf-cm/0.5Nm/4.43Lbin	
Torque		

MATERIAL	M4.0 Steel Ni plated	
Screws	Brass, Sn plated	
Pin Herder	PA66, UL94V-0	
Housing		
ELECTRICAL	UL	IEC
Standard	300V	750V
Rated voltage	20A	32A
Rated current	22-12AWG	4.0mm ²
Wire range	20mΩ	
Contact Resistance	500MΩ/DC500V	
Insulation resistance	AC2000V/1Min	
Withstanding voltage		
MECHANICAL	-40°C~+105°C	
Temp. range	12.24kgf-cm/1.2Nm/10.6Lbin	
Torque		





Pitch:9.5mm

MODEL: WJ46A

CERTIFICATION	
---------------	--



Pitch:9.5mm

MODEL: WJ46G

CERTIFICATION	
---------------	--



Pitch:9.5mm

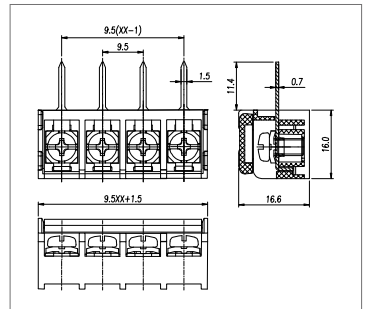
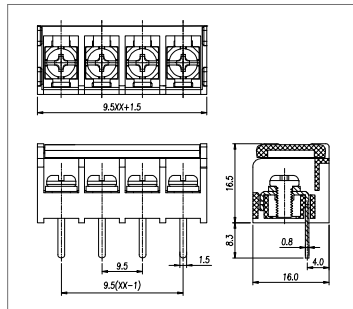
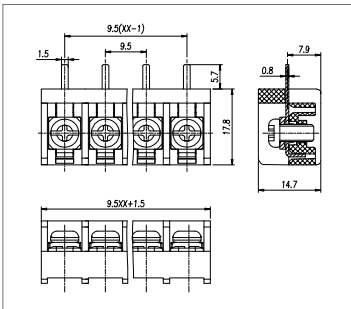
MODEL: WJ46GA

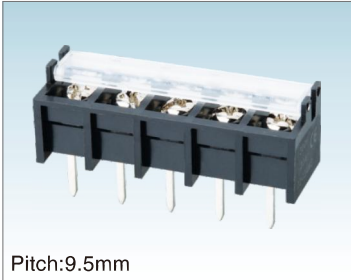
CERTIFICATION	
---------------	--

MATERIAL		
Screws	M4.0 Steel Ni plated	
Pin Herder	Brass, Sn plated	
Housing	PA66, UL94V-0	
ELECTRICAL		
Standard	UL	IEC
Rated voltage	300V	750V
Rated current	20A	32A
Wire range	22-12AWG	4.0mm ²
Contact Resistance	20mΩ	
Insulation resistance	500MΩ/DC500V	
Withstanding voltage	AC2000V/1Min	
MECHANICAL		
Temp. range	-40°C~+105°C	
Torque	12.24kgf-cm/1.2Nm/10.6Lbin	

MATERIAL		
Screws	M4.0 Steel Ni plated	
Pin Herder	Brass, Sn plated	
Housing	PA66, UL94V-0	
ELECTRICAL		
Standard	UL	IEC
Rated voltage	300V	750V
Rated current	20A	32A
Wire range	22-12AWG	4.0mm ²
Contact Resistance	20mΩ	
Insulation resistance	500MΩ/DC500V	
Withstanding voltage	AC2000V/1Min	
MECHANICAL		
Temp. range	-40°C~+105°C	
Torque	12.24kgf-cm/1.2Nm/10.6Lbin	

MATERIAL		
Screws	M4.0 Steel Ni plated	
Pin Herder	Brass, Sn plated	
Housing	PA66, UL94V-0	
ELECTRICAL		
Standard	UL	IEC
Rated voltage	300V	750V
Rated current	20A	32A
Wire range	22-12AWG	4.0mm ²
Contact Resistance	20mΩ	
Insulation resistance	500MΩ/DC500V	
Withstanding voltage	AC2000V/1Min	
MECHANICAL		
Temp. range	-40°C~+105°C	
Torque	12.24kgf-cm/1.2Nm/10.6Lbin	





Pitch:9.5mm

MODEL: WJ46GX



Pitch:11.1mm

MODEL: WJ46GG



Pitch:11.1mm

MODEL: WJ66

CERTIFICATION	
---------------	--

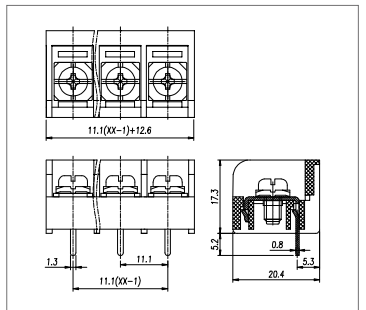
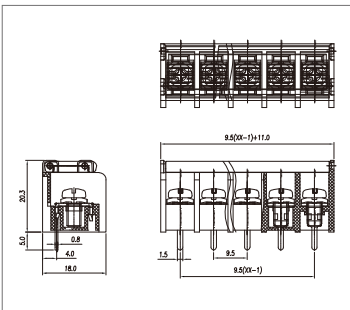
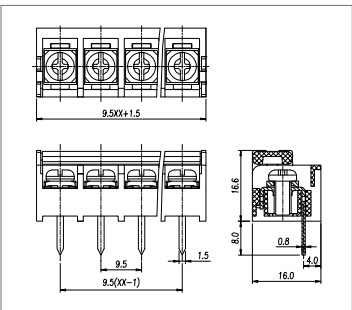
CERTIFICATION	
---------------	--

CERTIFICATION	
---------------	--

MATERIAL	
Screws	M4.0 Steel Ni plated
Pin Herder	Brass, Sn plated
Housing	PA66, UL94V-0
ELECTRICAL	
Standard	UL IEC
Rated voltage	300V 750V
Rated current	20A 32A
Wire range	22-12AWG 4.0mm ²
Contact Resistance	20mΩ
Insulation resistance	500MΩ/DC500V
Withstanding voltage	AC2000V/1Min
MECHANICAL	
Temp. range	-40°C~+105°C
Torque	12.24kgf-cm/1.2Nm/10.6Lbin

MATERIAL	
Screws	M4.0 Steel Ni plated
Pin Herder	Brass, Sn plated
Housing	PA66, UL94V-0
ELECTRICAL	
Standard	UL IEC
Rated voltage	300V 750V
Rated current	20A 32A
Wire range	22-12AWG 4.0mm ²
Contact Resistance	20mΩ
Insulation resistance	500MΩ/DC500V
Withstanding voltage	AC2000V/1Min
MECHANICAL	
Temp. range	-40°C~+105°C
Torque	12.24kgf-cm/1.2Nm/10.6Lbin

MATERIAL	
Screws	M4.0 Steel Ni plated
Pin Herder	Brass, Sn plated
Housing	PA66, UL94V-0
ELECTRICAL	
Standard	UL IEC
Rated voltage	300V 750V
Rated current	30A 32A
Wire range	22-10AWG 4.0mm ²
Contact Resistance	20mΩ
Insulation resistance	500MΩ/DC500V
Withstanding voltage	AC2000V/1Min
MECHANICAL	
Temp. range	-40°C~+105°C
Torque	12.24kgf-cm/1.2Nm/10.6Lbin

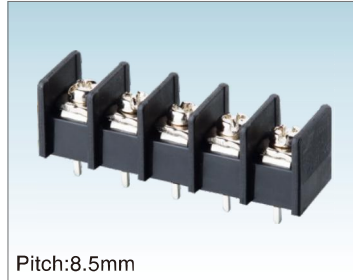




Pitch:11.1mm

MODEL: WJ66A

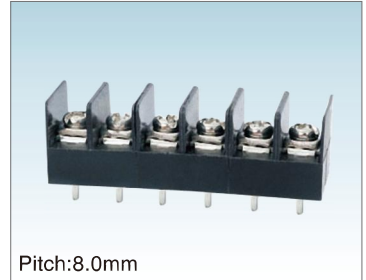
CERTIFICATION	
---------------	--



Pitch:8.5mm

MODEL: WJ31

CERTIFICATION	
---------------	--



Pitch:8.0mm

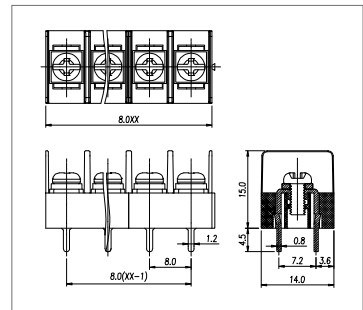
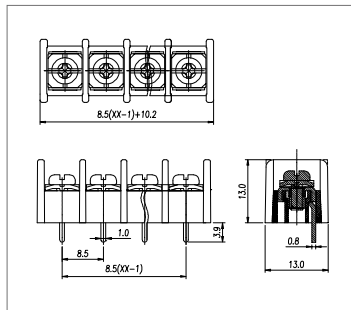
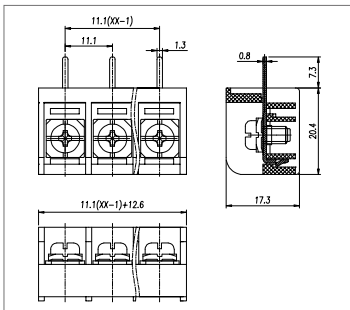
MODEL: WJ32

CERTIFICATION	
---------------	--

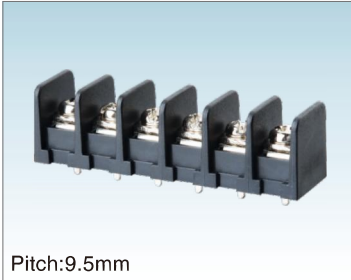
MATERIAL	Screws M4.0 Steel Ni plated	
	Pin Header Brass, Sn plated	
	Housing PA66, UL94V-0	
ELECTRICAL	Standard UL	IEC
Rated voltage	300V	750V
Rated current	30A	32A
Wire range	22-10AWG	4.0mm ²
Contact Resistance	20mΩ	
Insulation resistance	500MΩ/DC500V	
Withstanding voltage	AC2000V/1Min	
MECHANICAL	Temp. range -40°C~+105°C	
Torque	12.24kgf-cm/1.2Nm/10.6Lbin	

MATERIAL	Screws M3.0 Steel Ni plated	
	Pin Header Brass, Sn plated	
	Housing PA66, UL94V-0	
ELECTRICAL	Standard UL	IEC
Rated voltage	300V	450V
Rated current	15A	24A
Wire range	22-14AWG	2.5mm ²
Contact Resistance	20mΩ	
Insulation resistance	500MΩ/DC500V	
Withstanding voltage	AC2000V/1Min	
MECHANICAL	Temp. range -40°C~+105°C	
Torque	5.10kgf-cm/0.5Nm/4.43Lbin	

MATERIAL	Screws M3.0 Steel Ni plated	
	Pin Header Brass, Sn plated	
	Housing PA66, UL94V-0	
ELECTRICAL	Standard UL	IEC
Rated voltage	300V	450V
Rated current	15A	24A
Wire range	22-14AWG	2.5mm ²
Contact Resistance	20mΩ	
Insulation resistance	500MΩ/DC500V	
Withstanding voltage	AC2000V/1Min	
MECHANICAL	Temp. range -40°C~+105°C	
Torque	5.10kgf-cm/0.5Nm/4.43Lbin	



BARRIER TERMINAL BLOCK



Pitch:9.5mm

MODEL: WJ45X

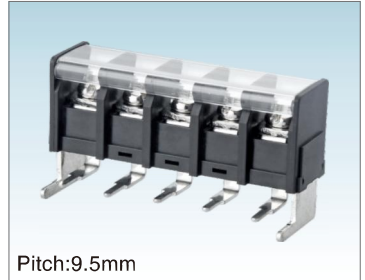
CERTIFICATION	
---------------	--



Pitch:9.5mm

MODEL: WJ48RW

CERTIFICATION	
---------------	--



Pitch:9.5mm

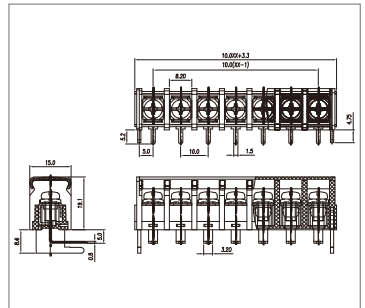
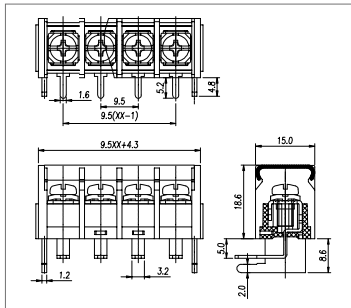
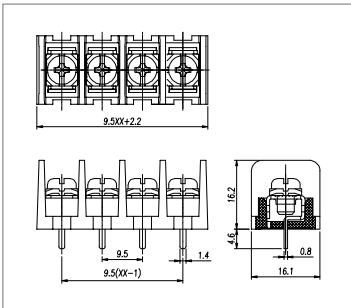
MODEL: WJ58RW

CERTIFICATION	
---------------	--

MATERIAL		
Screws	M4.0 Steel Ni plated	
Pin Herder	Brass, Sn plated	
Housing	PA66, UL94V-0	
ELECTRICAL		
Standard	UL	IEC
Rated voltage	300V	750V
Rated current	20A	32A
Wire range	22-12AWG	4.0mm ²
Contact Resistance	20mΩ	
Insulation resistance	500MΩ/DC500V	
Withstanding voltage	AC2000V/1Min	
MECHANICAL		
Temp. range	-40°C--+105°C	
Torque	12.24kgf-cm/1.2Nm/10.6Lbin	

MATERIAL		
Screws	M4.0 Steel Ni plated	
Pin Herder	Brass, Sn plated	
Housing	PA66, UL94V-0	
ELECTRICAL		
Standard	UL	IEC
Rated voltage	300V	750V
Rated current	20A	32A
Wire range	22-12AWG	4.0mm ²
Contact Resistance	20mΩ	
Insulation resistance	500MΩ/DC500V	
Withstanding voltage	AC2000V/1Min	
MECHANICAL		
Temp. range	-40°C--+105°C	
Torque	12.24kgf-cm/1.2Nm/10.6Lbin	

MATERIAL		
Screws	M4.0 Steel Ni plated	
Pin Herder	Brass, Sn plated	
Housing	PA66, UL94V-0	
ELECTRICAL		
Standard	UL	IEC
Rated voltage	300V	750V
Rated current	20A	32A
Wire range	22-12AWG	4.0mm ²
Contact Resistance	20mΩ	
Insulation resistance	500MΩ/DC500V	
Withstanding voltage	AC2000V/1Min	
MECHANICAL		
Temp. range	-40°C--+105°C	
Torque	12.24kgf-cm/1.2Nm/10.6Lbin	

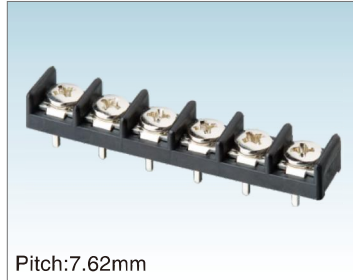




Pitch:9.5mm

MODEL: WJ49M

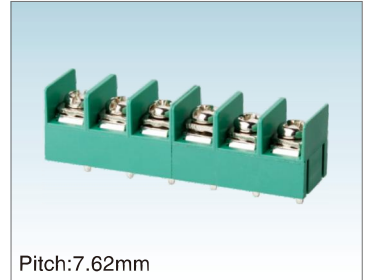
CERTIFICATION	
---------------	--



Pitch:7.62mm

MODEL: CZX7620

CERTIFICATION	CQC
---------------	-----



Pitch:7.62mm

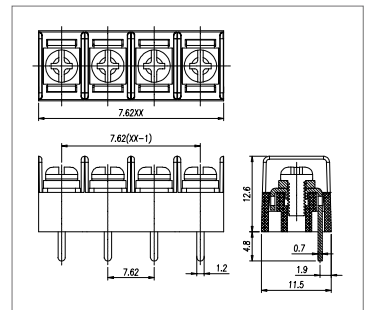
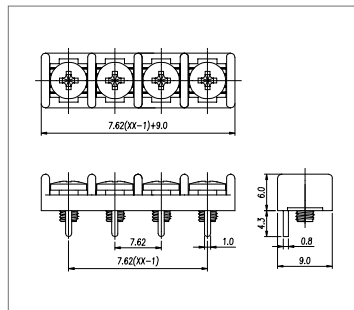
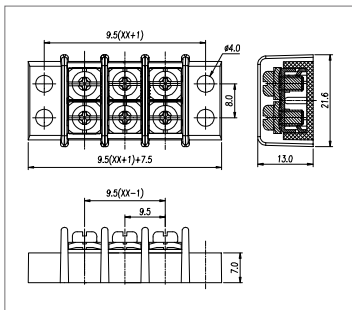
MODEL: CZ7620

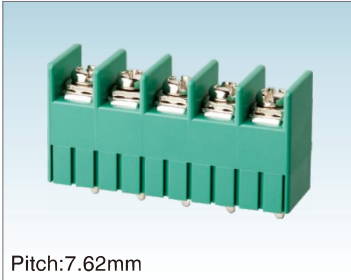
CERTIFICATION	CQC
---------------	-----

MATERIAL		
Screws	M3.5 Steel Ni plated	
Pin Herder	Brass, Sn plated	
Housing	PA66, UL94V-0	
ELECTRICAL		
Standard	UL	IEC
Rated voltage	300V	750V
Rated current	20A	32A
Wire range	22-12AWG	4.0mm ²
Contact Resistance	20mΩ	
Insulation resistance	500MΩ/DC500V	
Withstanding voltage	AC2000V/1Min	
MECHANICAL		
Temp. range	-40°C--+105°C	
Torque	8.16kgf-cm/0.8Nm/7.0Lbin	

MATERIAL		
Screws	M3.0 Steel Ni plated	
Pin Herder	Brass, Sn plated	
Housing	PA66, UL94V-0	
ELECTRICAL		
Standard	UL	IEC
Rated voltage	300V	450V
Rated current	10A	17.5A
Wire range	22-16AWG	1.5mm ²
Contact Resistance	20mΩ	
Insulation resistance	500MΩ/DC500V	
Withstanding voltage	AC2000V/1Min	
MECHANICAL		
Temp. range	-40°C--+105°C	
Torque	5.10kgf-cm/0.5Nm/4.43Lbin	

MATERIAL		
Screws	M3.0 Steel Ni plated	
Pin Herder	Brass, Sn plated	
Housing	PA66, UL94V-0	
ELECTRICAL		
Standard	UL	IEC
Rated voltage	300V	450V
Rated current	10A	17.5A
Wire range	22-16AWG	1.5mm ²
Contact Resistance	20mΩ	
Insulation resistance	500MΩ/DC500V	
Withstanding voltage	AC2000V/1Min	
MECHANICAL		
Temp. range	-40°C--+105°C	
Torque	5.10kgf-cm/0.5Nm/4.43Lbin	

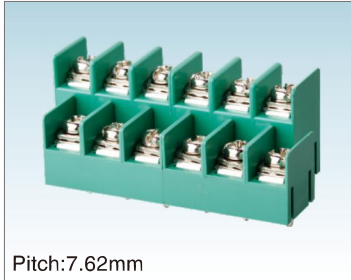




Pitch:7.62mm

MODEL: CZ7620H

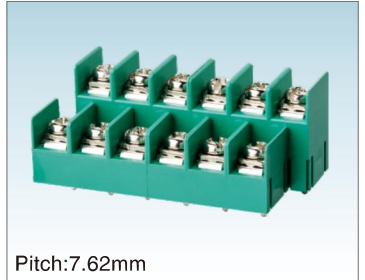
CERTIFICATION	
---------------	--



Pitch:7.62mm

MODEL: 2CZ7620A

CERTIFICATION	
---------------	--



Pitch:7.62mm

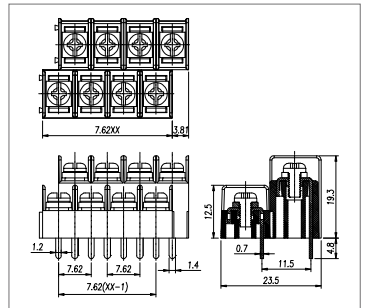
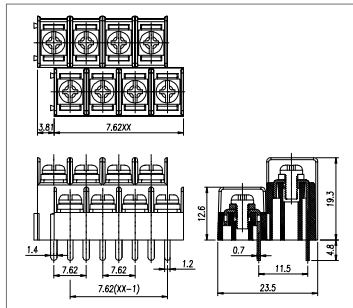
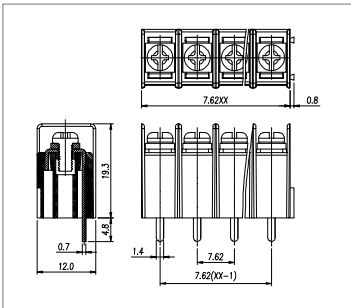
MODEL: 2CZ7620B

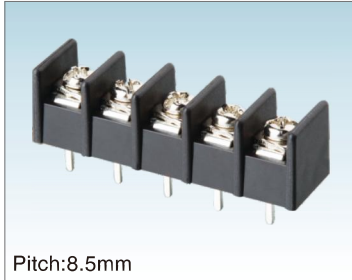
CERTIFICATION	
---------------	--

MATERIAL		
Screws	M3.0 Steel Ni plated	
Pin Herder	Brass, Sn plated	
Housing	PA66, UL94V-0	
ELECTRICAL		
Standard	UL	IEC
Rated voltage	300V	450V
Rated current	10A	17.5A
Wire range	22-16AWG	1.5mm ²
Contact Resistance	20mΩ	
Insulation resistance	500MΩ/DC500V	
Withstanding voltage	AC2000V/1Min	
MECHANICAL		
Temp. range	-40°C--+105°C	
Torque	5.10kgf-cm/0.5Nm/4.43Lbin	

MATERIAL		
Screws	M3.0 Steel Ni plated	
Pin Herder	Brass, Sn plated	
Housing	PA66, UL94V-0	
ELECTRICAL		
Standard	UL	IEC
Rated voltage	300V	450V
Rated current	10A	17.5A
Wire range	22-16AWG	1.5mm ²
Contact Resistance	20mΩ	
Insulation resistance	500MΩ/DC500V	
Withstanding voltage	AC2000V/1Min	
MECHANICAL		
Temp. range	-40°C--+105°C	
Torque	5.10kgf-cm/0.5Nm/4.43Lbin	

MATERIAL		
Screws	M3.0 Steel Ni plated	
Pin Herder	Brass, Sn plated	
Housing	PA66, UL94V-0	
ELECTRICAL		
Standard	UL	IEC
Rated voltage	300V	450V
Rated current	10A	17.5A
Wire range	22-16AWG	1.5mm ²
Contact Resistance	20mΩ	
Insulation resistance	500MΩ/DC500V	
Withstanding voltage	AC2000V/1Min	
MECHANICAL		
Temp. range	-40°C--+105°C	
Torque	5.10kgf-cm/0.5Nm/4.43Lbin	





Pitch:8.5mm

MODEL: CZ8500

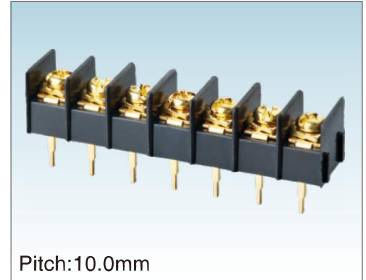
CERTIFICATION	
---------------	--



Pitch:8.5mm

MODEL: 2CZ8500

CERTIFICATION	
---------------	--



Pitch:10.0mm

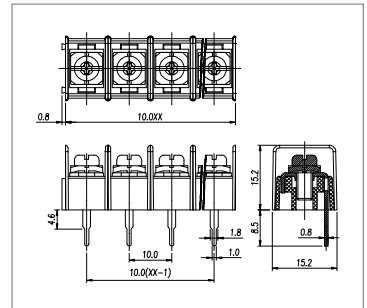
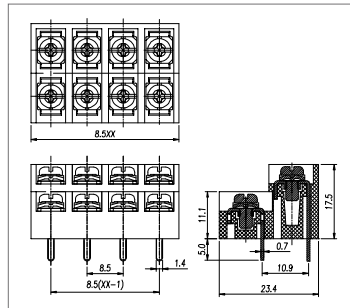
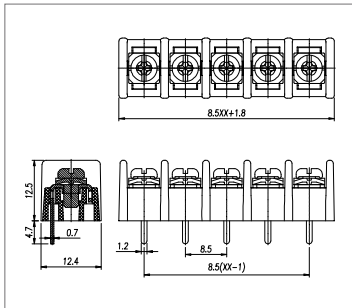
MODEL: SR-10

CERTIFICATION	
---------------	--

MATERIAL		
Screws	M3.0 Steel Ni plated	
Pin Herder	Brass, Sn plated	
Housing	PA66, UL94V-0	
ELECTRICAL		
Standard	UL	IEC
Rated voltage	300V	450V
Rated current	10A	17.5A
Wire range	22-16AWG	1.5mm ²
Contact Resistance	20mΩ	
Insulation resistance	500MΩ/DC500V	
Withstanding voltage	AC2000V/1Min	
MECHANICAL		
Temp. range	-40°C--+105°C	
Torque	5.10kgf-cm/0.5Nm/4.43Lbin	

MATERIAL		
Screws	M3.0 Steel Ni plated	
Pin Herder	Brass, Sn plated	
Housing	PA66, UL94V-0	
ELECTRICAL		
Standard	UL	IEC
Rated voltage	300V	450V
Rated current	10A	17.5A
Wire range	22-16AWG	1.5mm ²
Contact Resistance	20mΩ	
Insulation resistance	500MΩ/DC500V	
Withstanding voltage	AC2000V/1Min	
MECHANICAL		
Temp. range	-40°C--+105°C	
Torque	5.10kgf-cm/0.5Nm/4.43Lbin	

MATERIAL		
Screws	M4.0 Steel Ni plated	
Pin Herder	Brass, Sn plated	
Housing	PA66, UL94V-0	
ELECTRICAL		
Standard	UL	IEC
Rated voltage	300V	450V
Rated current	20A	32A
Wire range	22-12AWG	4.0mm ²
Contact Resistance	20mΩ	
Insulation resistance	500MΩ/DC500V	
Withstanding voltage	AC2000V/1Min	
MECHANICAL		
Temp. range	-40°C--+105°C	
Torque	12.24kgf-cm/1.2Nm/4.0Lbin	





Pitch: 11.0mm

MODEL: EM-1

CERTIFICATION	
---------------	--



Pitch: 11.0mm

MODEL: EM-1A

CERTIFICATION	
---------------	--



Pitch: 11.0mm

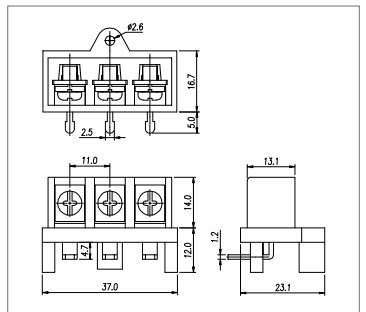
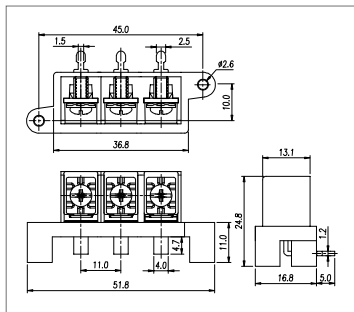
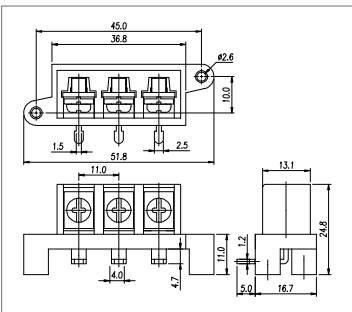
MODEL: EM-2

CERTIFICATION	
---------------	--

MATERIAL	
Screws	M4.0 Steel Ni plated
Pin Herder	Brass, Sn plated
Housing	PA66, UL94V-0
ELECTRICAL	
Standard	UL IEC
Rated voltage	300V 450V
Rated current	25A 32A
Wire range	22-12AWG 4.0mm ²
Contact Resistance	20mΩ
Insulation resistance	500MΩ/DC500V
Withstanding voltage	AC2000V/1Min
MECHANICAL	
Temp. range	-40°C~+105°C
Torque	12.24kgf-cm/1.2Nm/4.0Lbin

MATERIAL	
Screws	M4.0 Steel Ni plated
Pin Herder	Brass, Sn plated
Housing	PA66, UL94V-0
ELECTRICAL	
Standard	UL IEC
Rated voltage	300V 450V
Rated current	25A 32A
Wire range	22-12AWG 4.0mm ²
Contact Resistance	20mΩ
Insulation resistance	500MΩ/DC500V
Withstanding voltage	AC2000V/1Min
MECHANICAL	
Temp. range	-40°C~+105°C
Torque	12.24kgf-cm/1.2Nm/4.0Lbin

MATERIAL	
Screws	M4.0 Steel Ni plated
Pin Herder	Brass, Sn plated
Housing	PA66, UL94V-0
ELECTRICAL	
Standard	UL IEC
Rated voltage	300V 450V
Rated current	25A 32A
Wire range	22-12AWG 4.0mm ²
Contact Resistance	20mΩ
Insulation resistance	500MΩ/DC500V
Withstanding voltage	AC2000V/1Min
MECHANICAL	
Temp. range	-40°C~+105°C
Torque	12.24kgf-cm/1.2Nm/4.0Lbin





Pitch:11.0mm

MODEL: EM-2A

CERTIFICATION	
---------------	--



Pitch:11.5mm

MODEL: EM-3

CERTIFICATION	
---------------	--



Pitch:8.8mm

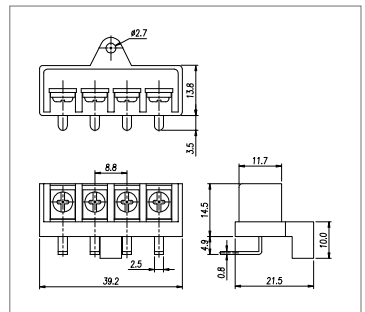
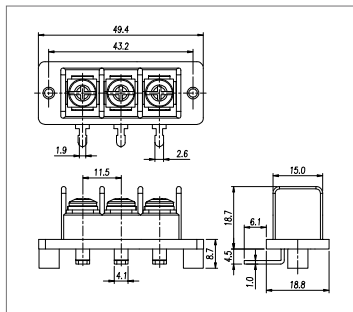
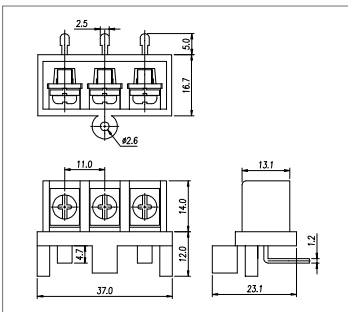
MODEL: EM-4

CERTIFICATION	
---------------	--

MATERIAL		
Screws	M4.0 Steel Ni plated	
Pin Herder	Brass, Sn plated	
Housing	PA66, UL94V-0	
ELECTRICAL		
Standard	UL	IEC
Rated voltage	300V	450V
Rated current	25A	32A
Wire range	22-12AWG	4.0mm ²
Contact Resistance	20mΩ	
Insulation resistance	500MΩ/DC500V	
Withstanding voltage	AC2000V/1Min	
MECHANICAL		
Temp. range	-40°C~+105°C	
Torque	12.24kgf-cm/1.2Nm/4.0Lbin	

MATERIAL		
Screws	M4.0 Steel Ni plated	
Pin Herder	Brass, Sn plated	
Housing	PA66, UL94V-0	
ELECTRICAL		
Standard	UL	IEC
Rated voltage	300V	450V
Rated current	30A	35A
Wire range	22-10AWG	6.0mm ²
Contact Resistance	20mΩ	
Insulation resistance	500MΩ/DC500V	
Withstanding voltage	AC2000V/1Min	
MECHANICAL		
Temp. range	-40°C~+105°C	
Torque	12.24kgf-cm/1.2Nm/4.0Lbin	

MATERIAL		
Screws	M3.0 Steel Ni plated	
Pin Herder	Brass, Sn plated	
Housing	PA66, UL94V-0	
ELECTRICAL		
Standard	UL	IEC
Rated voltage	300V	450V
Rated current	15A	24A
Wire range	22-14AWG	2.5mm ²
Contact Resistance	20mΩ	
Insulation resistance	500MΩ/DC500V	
Withstanding voltage	AC2000V/1Min	
MECHANICAL		
Temp. range	-40°C~+105°C	
Torque	5.10kgf-cm/0.5Nm/4.43Lbin	





Pitch: 12.5mm

MODEL: EM-5

CERTIFICATION	
---------------	--



Pitch: 12.5mm

MODEL: EM-51H

CERTIFICATION	
---------------	--



Pitch: 12.5mm

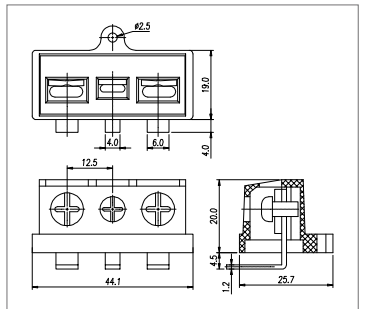
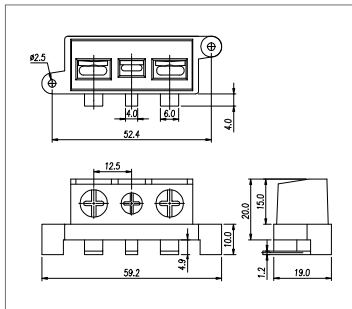
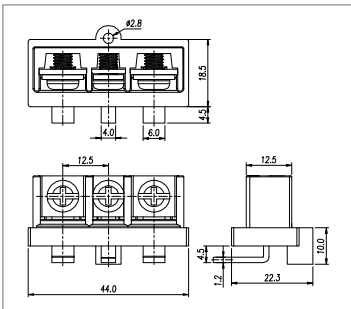
MODEL: EM-52H

CERTIFICATION	
---------------	--

MATERIAL		
Screws	M4.0 Steel Ni plated	
Pin Herder	Brass, Sn plated	
Housing	PA66, UL94V-0	
ELECTRICAL		
Standard	UL	IEC
Rated voltage	300V	450V
Rated current	32A	37.5A
Wire range	22-10AWG	6.0mm ²
Contact Resistance	20mΩ	
Insulation resistance	500MΩ/DC500V	
Withstanding voltage	AC2000V/1Min	
MECHANICAL		
Temp. range	-40°C~+105°C	
Torque	12.24kgf-cm/1.2Nm/4.0Lbin	

MATERIAL		
Screws	M4.0 Steel Ni plated	
Pin Herder	Brass, Sn plated	
Housing	PA66, UL94V-0	
ELECTRICAL		
Standard	UL	IEC
Rated voltage	300V	450V
Rated current	32A	37.5A
Wire range	22-10AWG	6.0mm ²
Contact Resistance	20mΩ	
Insulation resistance	500MΩ/DC500V	
Withstanding voltage	AC2000V/1Min	
MECHANICAL		
Temp. range	-40°C~+105°C	
Torque	12.24kgf-cm/1.2Nm/4.0Lbin	

MATERIAL		
Screws	M4.0 Steel Ni plated	
Pin Herder	Brass, Sn plated	
Housing	PA66, UL94V-0	
ELECTRICAL		
Standard	UL	IEC
Rated voltage	300V	450V
Rated current	32A	37.5A
Wire range	22-10AWG	6.0mm ²
Contact Resistance	20mΩ	
Insulation resistance	500MΩ/DC500V	
Withstanding voltage	AC2000V/1Min	
MECHANICAL		
Temp. range	-40°C~+105°C	
Torque	12.24kgf-cm/1.2Nm/4.0Lbin	

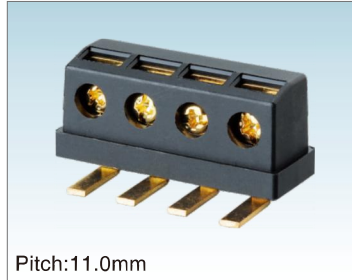




Pitch:11.0mm

MODEL: EM-1H

CERTIFICATION	
---------------	--



Pitch:11.0mm

MODEL: EM-2H

CERTIFICATION	
---------------	--



Pitch:11.0mm

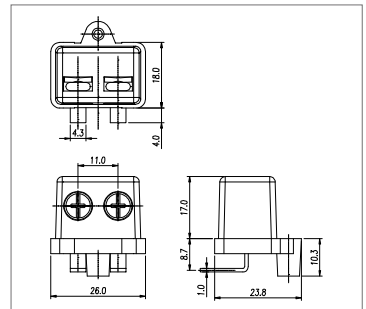
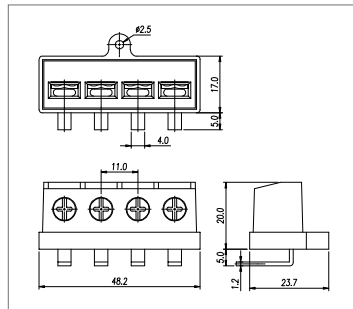
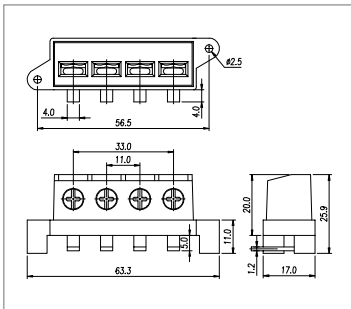
MODEL: EMT-2

CERTIFICATION	
---------------	--

MATERIAL		
Screws	M4.0 Steel Ni plated	
Pin Herder	Brass, Sn plated	
Housing	PA66, UL94V-0	
ELECTRICAL		
Standard	UL	IEC
Rated voltage	300V	750V
Rated current	25A	32A
Wire range	22-12AWG	4.0mm ²
Contact Resistance	20m Ω	
Insulation resistance	500M Ω/DC500V	
Withstanding voltage	AC2000V/1Min	
MECHANICAL		
Temp. range	-40°C~+105°C	
Torque	12.24kgf-cm/1.2Nm/4.0Lbin	

MATERIAL		
Screws	M4.0 Steel Ni plated	
Pin Herder	Brass, Sn plated	
Housing	PA66, UL94V-0	
ELECTRICAL		
Standard	UL	IEC
Rated voltage	300V	750V
Rated current	25A	32A
Wire range	22-12AWG	4.0mm ²
Contact Resistance	20m Ω	
Insulation resistance	500M Ω/DC500V	
Withstanding voltage	AC2000V/1Min	
MECHANICAL		
Temp. range	-40°C~+105°C	
Torque	12.24kgf-cm/1.2Nm/4.0Lbin	

MATERIAL		
Screws	M4.0 Steel Ni plated	
Pin Herder	Brass, Sn plated	
Housing	PA66, UL94V-0	
ELECTRICAL		
Standard	UL	IEC
Rated voltage	300V	750V
Rated current	30A	35A
Wire range	22-12AWG	4.0mm ²
Contact Resistance	20m Ω	
Insulation resistance	500M Ω/DC500V	
Withstanding voltage	AC2000V/1Min	
MECHANICAL		
Temp. range	-40°C~+105°C	
Torque	12.24kgf-cm/1.2Nm/4.0Lbin	





Pitch: 12.65mm

MODEL: EMT-3

CERTIFICATION



Pitch: 11.0mm

MODEL: EMT-4

CERTIFICATION



Pitch: 11.0mm

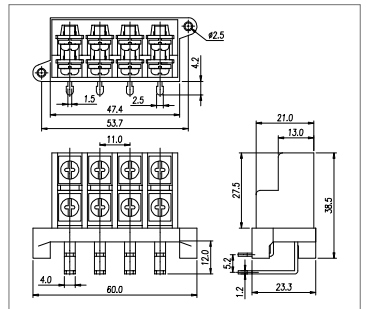
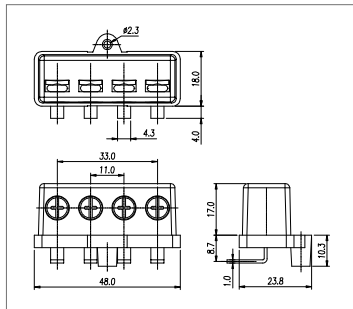
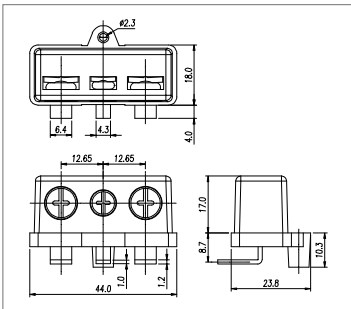
MODEL: EM-21

CERTIFICATION

MATERIAL		
Screws	M4.0 Steel Ni plated	
Pin Herder	Brass, Sn plated	
Housing	PA66, UL94V-0	
ELECTRICAL		
Standard	UL	IEC
Rated voltage	300V	750V
Rated current	32A	37.5A
Wire range	22-10AWG	6.0mm ²
Contact Resistance	20mΩ	
Insulation resistance	500MΩ/DC500V	
Withstanding voltage	AC2000V/1Min	
MECHANICAL		
Temp. range	-40°C~+105°C	
Torque	12.24kgf-cm/1.2Nm/4.0Lbin	

MATERIAL		
Screws	M4.0 Steel Ni plated	
Pin Herder	Brass, Sn plated	
Housing	PA66, UL94V-0	
ELECTRICAL		
Standard	UL	IEC
Rated voltage	300V	750V
Rated current	30A	35A
Wire range	22-12AWG	4.0mm ²
Contact Resistance	20mΩ	
Insulation resistance	500MΩ/DC500V	
Withstanding voltage	AC2000V/1Min	
MECHANICAL		
Temp. range	-40°C~+105°C	
Torque	12.24kgf-cm/1.2Nm/4.0Lbin	

MATERIAL		
Screws	M4.0 Steel Ni plated	
Pin Herder	Brass, Sn plated	
Housing	PA66, UL94V-0	
ELECTRICAL		
Standard	UL	IEC
Rated voltage	300V	750V
Rated current	30A	35A
Wire range	22-12AWG	4.0mm ²
Contact Resistance	20mΩ	
Insulation resistance	500MΩ/DC500V	
Withstanding voltage	AC2000V/1Min	
MECHANICAL		
Temp. range	-40°C~+105°C	
Torque	12.24kgf-cm/1.2Nm/4.0Lbin	

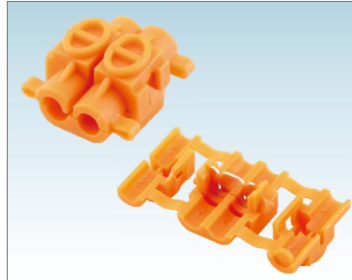




Pitch: 11.0mm

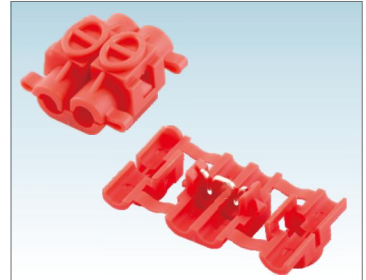
MODEL: EM-21A

CERTIFICATION	
---------------	--



MODEL: WJET-04

CERTIFICATION	
---------------	--



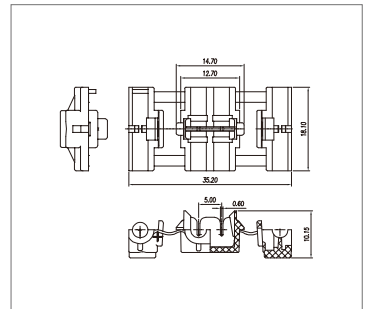
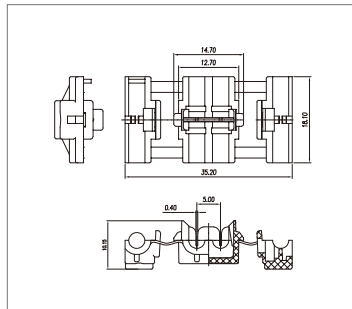
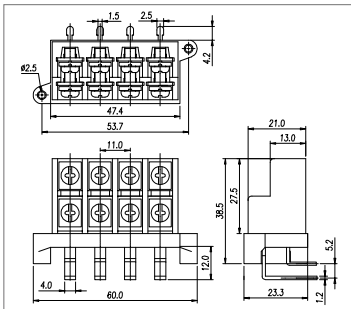
MODEL: WJET-10

CERTIFICATION	
---------------	--

MATERIAL	
Screws	M4.0 Steel Ni plated
Pin Herder	Brass, Sn plated
Housing	PA66, UL94V-0
ELECTRICAL	
Standard	UL IEC
Rated voltage	300V 750V
Rated current	30A 35A
Wire range	22-12AWG 4.0mm ²
Contact Resistance	20mΩ
Insulation resistance	500MΩ/DC500V
Withstanding voltage	AC2000V/1Min
MECHANICAL	
Temp. range	-40°C~+105°C
Torque	12.24kgf-cm/1.2Nm/4.0Lbin

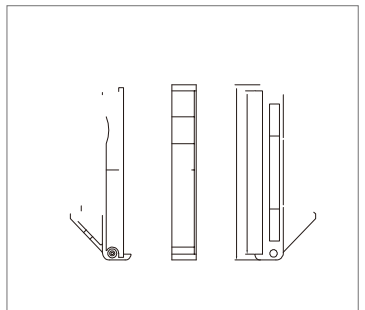
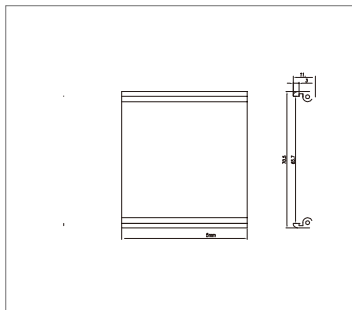
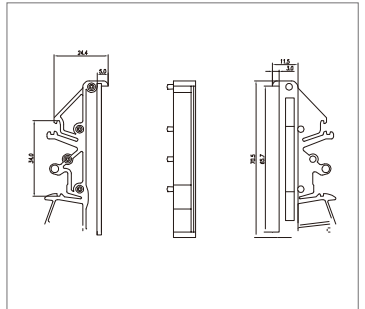
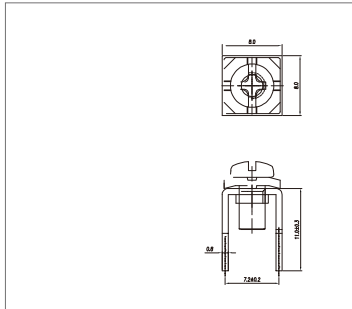
MATERIAL	
Conductor	Brass, Sn plated
Housing	PA66, UL94V-2
ELECTRICAL	
Standard	IEC
Rated voltage	400V
Rated current	3A
Wire range	0.2-0.5mm ²
Contact Resistance	20mΩ
Insulation resistance	500MΩ/DC500V
Withstanding voltage	AC2000V/1Min
MECHANICAL	
Temp. range	-40°C~+105°C

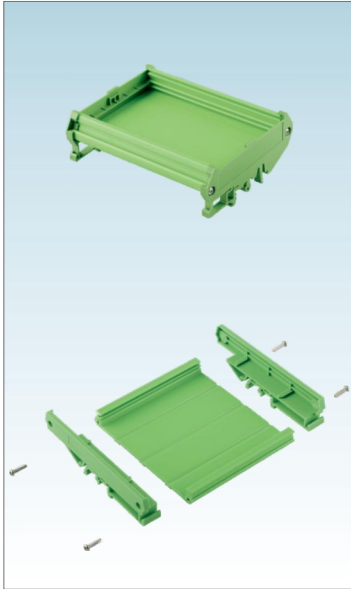
MATERIAL	
Conductor	Brass, Sn plated
Housing	PA66, UL94V-2
ELECTRICAL	
Standard	IEC
Rated voltage	400V
Rated current	10A
Wire range	0.5-1.0mm ²
Contact Resistance	20mΩ
Insulation resistance	500MΩ/DC500V
Withstanding voltage	AC2000V/1Min
MECHANICAL	
Temp. range	-40°C~+105°C





MODEL: SP7-L





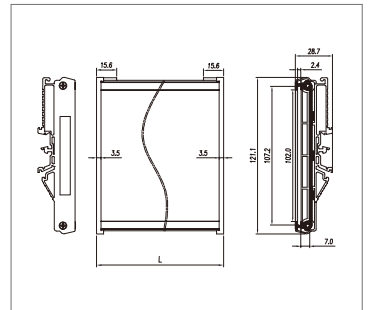
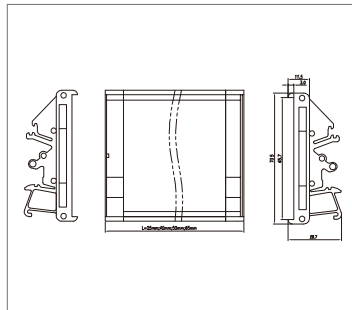
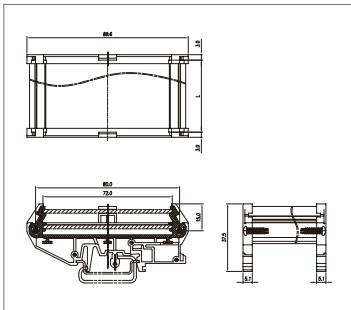
MODEL: SP6



MODEL: SP7



MODEL: SP8



INDEX

Model	Page	Model	Page	Model	Page	Model	Page
PCB SCREW TERMINAL		WJE2K500A/WJE2K508A	032	WJ15EDGVHM	051	WJ2EDGR-THT-5.08	070
BLOCK SERIES		WJE2K500B/WJE2K508B	032	WJ15EDGRH	052	WJ2EDGRC-THT-5.08	071
WJ300	014	WJE3K500A/508A	033	WJ15EDGRHM	052	WJ2EDGRM-THT-5.08	071
WJ300R	014	WJE3K500B/508B	033	WJ2EDGK-5.0/5.08	052	WJ2EDGLF	071
WJ305	014	WJ105R	033	WJ2EDGK-7.5/7.62	053	WJ2EDGRF	072
WJ370	015	PLUG-IN TERMINAL		WJ2EDGK-10.0/10.16	053	WJ2EDGVT	072
WJ375	015	BLOCK SERIES		WJ2EDGKM-5.0/5.08	053	WJ2EDGVTM	072
WJ301	015	WJ105V	034	WJ2EDGKM-7.5/7.62	054	WJ2EDGRT	073
WJ301R	016	WJ105RA	034	WJ2EDGKM-10.0/10.16	054	WJ2EDGVRTM	073
WJ306	016	WJ105VA	034	WJ2EDGKA-5.0/5.08	054	WJ2EDGVTC	073
WJ332K	016	WJ15EDGKD-2.5	036	WJ2EDGKA-7.5/7.62	055	WJ2EDGRTC	074
WJ331	017	WJ15EDGVC-2.5	036	WJ2EDGKAM-5.0/5.08	055	WJ2EDGVH	074
WJ332J	017	WJ15EDGRC-2.5	036	WJ2EDGKAM-7.5/7.62	055	WJ2EDGVHM	074
WJ350,WJ396	017	WJ15EDGVH-2.5	037	WJ2EDGKB-5.0/5.08	056	WJ2EDGRH	075
WJ350R,WJ396R	018	WJ15EDGRH-2.5	037	WJ2EDGKB-7.5/7.62	056	WJ2EDGRHM	075
WJ350C	018	WJ15EDGKN-3.5	037	WJ2EDGKBM-5.0/5.08	056	WJ2EDGL	075
WJ126	018	WJ15EDGKNG-3.5	038	WJ2EDGKBM-7.5/7.62	057	WJ2EDGGLC	076
WJ126R	019	WJ15EDGKNM-3.5	038	WJ2EDGKC	057	WJ2EDGLM	076
WJ166	019	WJ15EDGVHB-THT-3.5	038	WJ2EDGKCM	057	WJ2EDGKR	076
WJ167	019	WJ15EDGRHB-THT-3.5	039	WJ2EDGKD	058	WJ2EDGKRM	077
WJ167R	020	WJ15EDGVHBM-THT-3.5	039	WJ2EDGKDM	058	WJ2EDGKRN	077
WJ103	020	WJ15EDGRHBM-THT-3.5	039	WJ2EDGKDG	058	WJ2EDGKRZ	077
WJ121	020	WJ15EDGVHBN-THT-3.5	040	WJ2EDGKF	059	WJ2EDGKRZM	078
WJ122	021	WJ15EDGRHBN-THT-3.5	040	WJ2EDGKZ	059	WJ2EDGGB-5.08	078
WJ127	021	WJ15EDGK	040	WJ2EDGKZM	059	WJ2EDGGBM-5.08	078
WJ128-5.0	021	WJ15EDGKM	041	WJ2EDGKL	060	WJEDGVK-5.08	079
WJ128-7.5	022	WJL5EDGKA	041	WJ2EDGKLM	060	WJEDGVKM-5.08	079
WJ128R-5.0	022	WJ15EDGKAM	041	WJ2EDGB	060	WJEDGUVK-5.08	079
WJ129R-7.5	022	WJ15EDGKB	042	WJ2EDGBM	061	WJEDGUVKM-5.08	080
WJ128E-5.0	023	WJ15EDGKBM	042	WJ2EDGA	061	WJEDGRK-5.0/5.08	080
WJ128E-7.5	023	WJ15EDGKC-3.81	042	WJ2EDGAM	061	WJEDGRKM-5.0/5.08	080
WJ129-5.0/5.08	023	WJ15EDGKCM-3.81	043	WJ2EDGV-5.0/5.08	062	WJ2EDGURK-5.0/5.08	081
WJ129-7.5/7.62	024	WJ15EDGKD-3.5/3.81	043	WJ2EDGV 7.50/7.62	062	WJ2EDGURKM-5.0/5.08	081
WJ128R-5.0/5.08	024	WJ15EDGKDM-3.5/3.81	043	WJ2EDGV-10.0/10.16	062	WJEDGKP-5.0	081
WJ129R-7.5/7.62	024	WJ15EDGB-3.5/3.81	044	WJ2EDGR-5.0/5.08	063	WJ2CDGM	082
WJ635	025	WJ15EDGBM-3.5/3.81	044	WJ2EDGR-7.50/7.62	063	HT396K	082
WJ636	025	WJ15EDGA-3.5/3.81	044	WJ2EDGR-10.0/10.16	063	HT396V	082
WJ750	025	WJ15EDGAM-3.81	045	WJ2EDGVC-5.0/5.08	064	HT396R	083
WJ950	026	WJ15EDGKR-3.81	045	WJ2EDGVC-7.50/7.62	064	HT508K	083
WJ116V	026	WJ15EDGKRM-3.81	045	WJ2EDGVC-10.0/10.16	064	HT508V	083
WJ117	026	WJ15EDGKRN-3.81	046	WJ2EDGRC-5.0/5.08	065	HT508R	084
WJ116VW	027	WJ15EDGVC	046	WJ2EDGRC-7.5/7.62	065	WJ2EDG-PWI	084
WJ116VK	027	WJ15CDGRC	046	WJ2EDGRC-10.0/10.16	065	WJ2EDG-PWP	084
WJ330	027	WJ15EDGVM	047	WJ2EDGVM-5.0/5.08	066	WJ141V	088
WJ410	028	WJ15EDGRM	047	WJ2EDGVM-7.5/7.62	066	WJ141R	088
WJ1010	028	WJ15CDGM-3.81	047	WJ2EDGVM-1.0/10.16	066	WJ211V-2.54	088
XD508	028	WJ15EDGK-5.08	048	WJ2EDGRM-5.00/5.08	067	WJ211R-2.54	089
WJA500	029	WJ15EDGKM-5.08	048	WJ2EDGRM-7.5/7.62	067	WJ211V-5.0	089
WJEK350/381	029	WJ15EDGVC-5.08	048	WJ2EDGRM-10.0-10.16	067	WJ211R-5.0	089
WJEEK350/381	029	WJ15EDGRC-5.08	049	WJ2EDGRR-5.0/5.08	068		
WJEK350A/381A	030	WJ15EDGVM-5.08	049	WJ2EDGRR-5.0/5.08	068		
WJEK350B/381B	030	WJ2EDGRM-5.08	049	WJ2EDGRRM-5.0/5.08	068		
WJEK500/508	030	WJ2EDGVT	050	WJ2EDGVG-5.08	069		
WJEEK500/508	031	WJ15EDGVTM	050	WJ2EDGRG-5.08	069		
WJE3K500/508	031	WJ15EDGRT	050	WJ2EDGRG-5.08	069		
WJEK500A/508A	031	WJ15EDGRTM	051	WJ2EDGV-THT-5.08	070		
WJEK500B/508B	032	WJ15EDGVH	051	WJ2EDGVC-THT-5.08	070		
				WJ2EDGVM-THT-5.08	070		
						Spring Terminal	
						Block Series	
						WJ142V	090
						WJ142R	090
						WJ235A	090
						WJ235B	091

INDEX

Model	Page	Model	Page	Model	Page	Model	Page
WJ250-2.5	091	WJT01	110	WJ28SM	130	WJ66	145
WJ250-3.5	091	WJGO1	110	WJ28HM	130	WJ66A	146
WJ236	092	MY_HS	114	WJ28RM	130	WJ31	146
WJ243A	092	MY_HS+1.2	114	WJ38C	131	WJ32	146
WJ245-5.0/5.08/7.5/7.62	092	MY_HS+4.3	114	WJ38S	131	WJ45X	147
WJ0401/0501-01XX	094	MY_H	115	WJ38H	131	WJ48RW	147
WJ0401/0501-02XX	094	MY_H+1.2	115	WJ38R	131	WJ58RW	147
WJ0401/0501-03XX	094	MY_H+4.3	115	WJ38CM	132	WJ49M	148
WJ0401/0501-04XX	095	MY_HW	116	WJ38SM	132	CZX7620	148
WJ0401/0501-05XX	095	MY_HW+1.2	116	WJ38HM	132	CZ7620	148
WJ0401/0501-06XX	095	MY_HW+4.3	116	WJ38RM	132	CZ7620H	149
WJ0401/0501-07XX	096	MY510	117	WJ48C	133	2CZ7620A	149
WJ0401/0501-08XX	096	WJ25C	119	WJ48S	133	2CZ7620B	149
WJ0601/0701-01XX	096	WJ26S	119	WJ48H	133	CZ8500	150
WJ0601/0701-02XX	097	WJ25H	119	WJ48R	133	2CZ8500	150
WJ0601/0701-03XX	097	WJ25R	119	WJ48CM	134	SR-10	150
WJ0601/0701-04XX	097	WJ25CM	120	WJ48SM	134	EM-1	151
WJ0601/0701-05XX	098	WJ25SM	120	WJ48HM	134	EM-1A	151
WJ0601/0701-06XX	098	WJ25HM	120	WJ48RM	134	EM-2	151
WJ0601/0701-07XX	098	WJ25RM	120	WJ58C	135	EM2A	152
WJ0601/0701-08XX	099	WJ35C	121	WJ58S	135	EM-3	152
WJ0402/0502-01XX	099	WJ35S	121	WJ58H	135	EM-4	152
		WJ35H	121	WJ58R	135	EM-5	153
		WJ35R	121	WJ58CM	136	EM-51H	153
Spring Terminal		WJ35CM	122	WJ58SM	136	EM-52H	153
Block Series		WJ35SM	122	WJ58HM	136	EM-1H	154
WJ0402/0502-02XX	099	WJ35HM	122	WJ58RM	136	EM-2H	154
WJ0402/0502-05XX	100	WJ35RM	122	WJ68C	137	EMT-2	154
WJ0402/0502-06XX	100	WJ45C	123	WJ68S	137	EMT-3	155
WJ0602/0702-01XX	100	WJ45S	123	WJ68H	137	EMT-4	155
WJ0602/0702-02XX	101	WJ45H	123	WJ68R	137	EM-21	155
WJ0602/0702-05XX	101	WJ45R	123	WJ68CM	138	EM-21A	156
WJ0602/0702-06XX	101	WJ45CM	124	WJ68SM	138	WJET-04	156
WJ0403/0503-01XX	102	WJ45SM	124	WJ68HM	138	WJET-10	156
WJ0403/0503-02XX	102	WJ45HM	124	WJ68RM	138	WJET-25	157
WJ0403/0503-03XX	102	WJ45RM	124	WJ78C	139	WJK01	157
WJ0403/0503-04XX	103	WJ55C	125	WJ78S	139	SP7-L	157
WJ0403/0503-05XX	103	WJ55S	125	WJ78H	139	SP7-EXX	157
WJ0403/0503-06XX	103	WJ55H	125	WJ78R	139	SP7-R	157
WJ0603/0703-01XX	104	WJ55R	125	WJ78CM	140	SP6	158
WJ0603/0703-02XX	104	WJ55CM	126	WJ78SM	140	SP7	158
WJ0603/0703-03XX	104	WJ55SM	126	WJ78HM	140	SP8	158
WJ0603/0703-04XX	105	WJ55HM	126	WJ78RM	140		
WJ0603/0703-05XX	105	WJ55RM	126	WJ06	141		
WJ0603/0703-06XX	105	WJ65C	127	WJ16	141		
WJ0404/0504-01XX	106	WJ65S	127	WJ16A	141		
WJ0404/0504-02XX	106	WJ65H	127	WJ16R	142		
WJ0404/0504-03XX	106	WJ65R	127	WJ26(HB8500)	142		
WJ0404/0504-04XX	107	WJ65CM	128	WJ36	142		
WJ0604/0704-01XX	107	WJ65SM	128	WJ36A	143		
WJ0604/0704-02XX	107	WJ65HM	128	WJ36G	143		
WJ0604/0704-03XX	108	WJ65RM	128	WJ46(HB9500)	143		
WJ0604/0704-04XX	108	WJ28C	129	WJ46A	144		
WJ0201/0301-01XX	108	WJ28S	129	WJ46G	144		
WJ0201/0301-02XX	109	WJ28H	129	WJ46GA	144		
WJ0202/0302-01XX	109	WJ28R	129	WJ46GX	145		
WJ0202/0302-02XX	109	WJ28RM	130	WJ46GG	145		

Reliance North America



**Reliance
North America**

The Smarter Alternative

Reliance North America

30 Gick Road, Saratoga Springs, NY 12866

518 - 393-6911

Info@RelianceNorthAmerica.com

Learn More at:

www.RelianceNorthAmerica.com